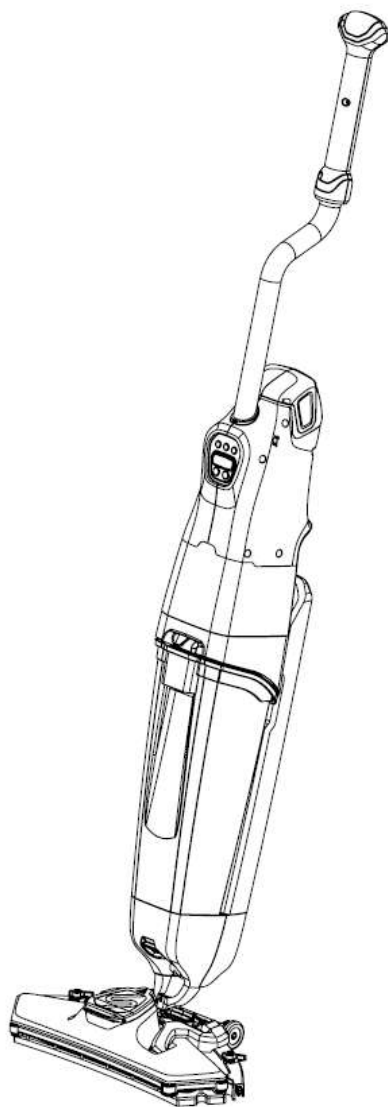


PARTS LIST

DRYFT



Models No.:

58002000, 58002001, 58002002, 58002003

Part list P/N: 58002112

Rev. A Jan.2025



NILFISK

TABLE OF CONTENTS

GENERAL VIEW 2
UPPER HANDLE ASSEMBLY 4
RECOVERY AND CLEAN WATER TANK ASSEMBLY 6
HEAD ASSEMBLY 7
POD SUCTION DRYFT ASSEMBLY 9
SQUEEGEE BAR ASSEMBLY 9
SOLENOID POD ASSEMBLY 10
WIRING DIAGRAM 12
RECOMMENDED SPARE PARTS 13

WHEN ORDERING PARTS

- Use the part numbers from the "Part. No." columns in this parts list.
- Specify the model and serial number of the machine.
- Use the space below to record the model and serial number for future reference.

Model _____

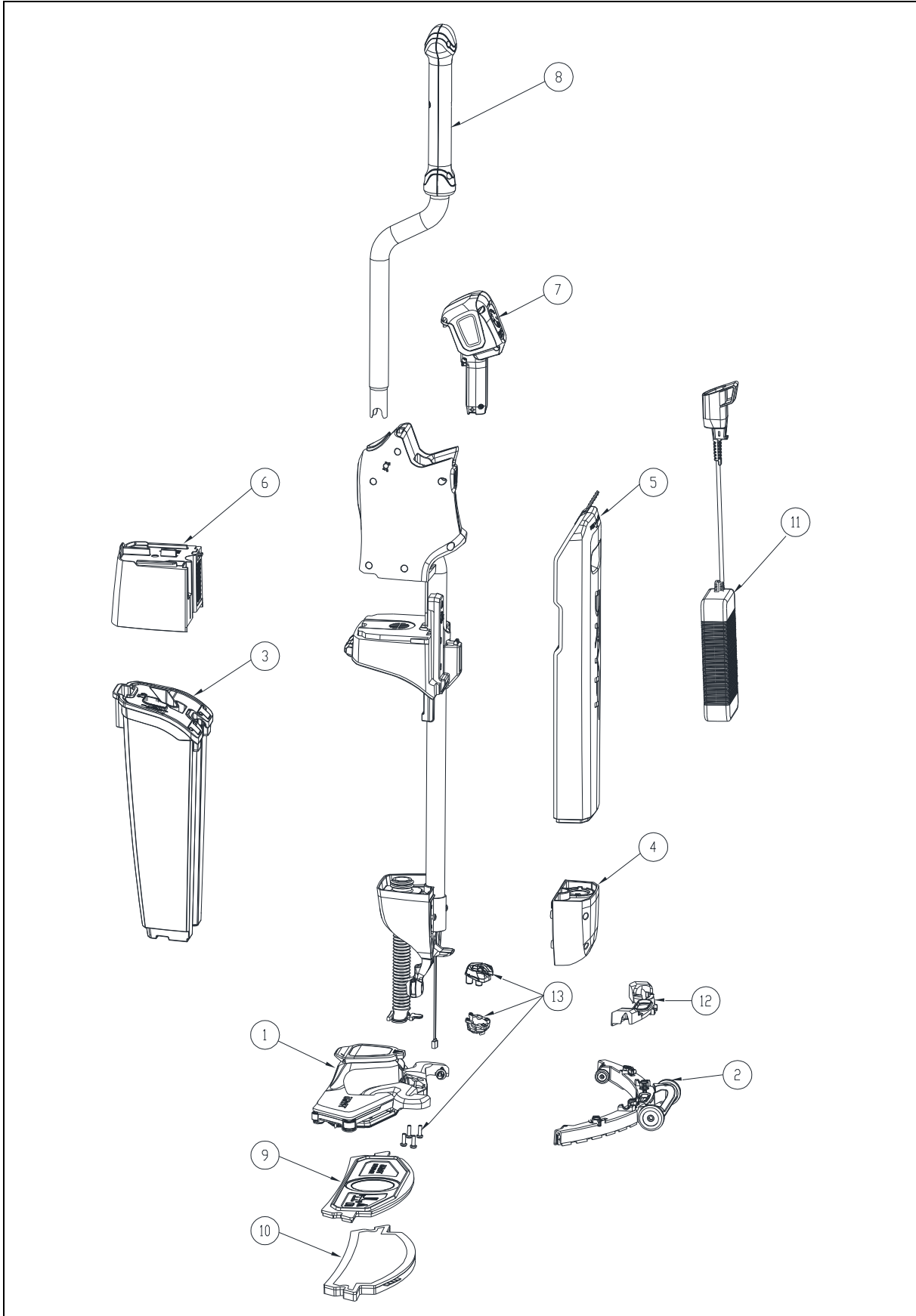
Serial No. _____

* = Optional

= Modified item No. or New Item No.

[] = Not shown

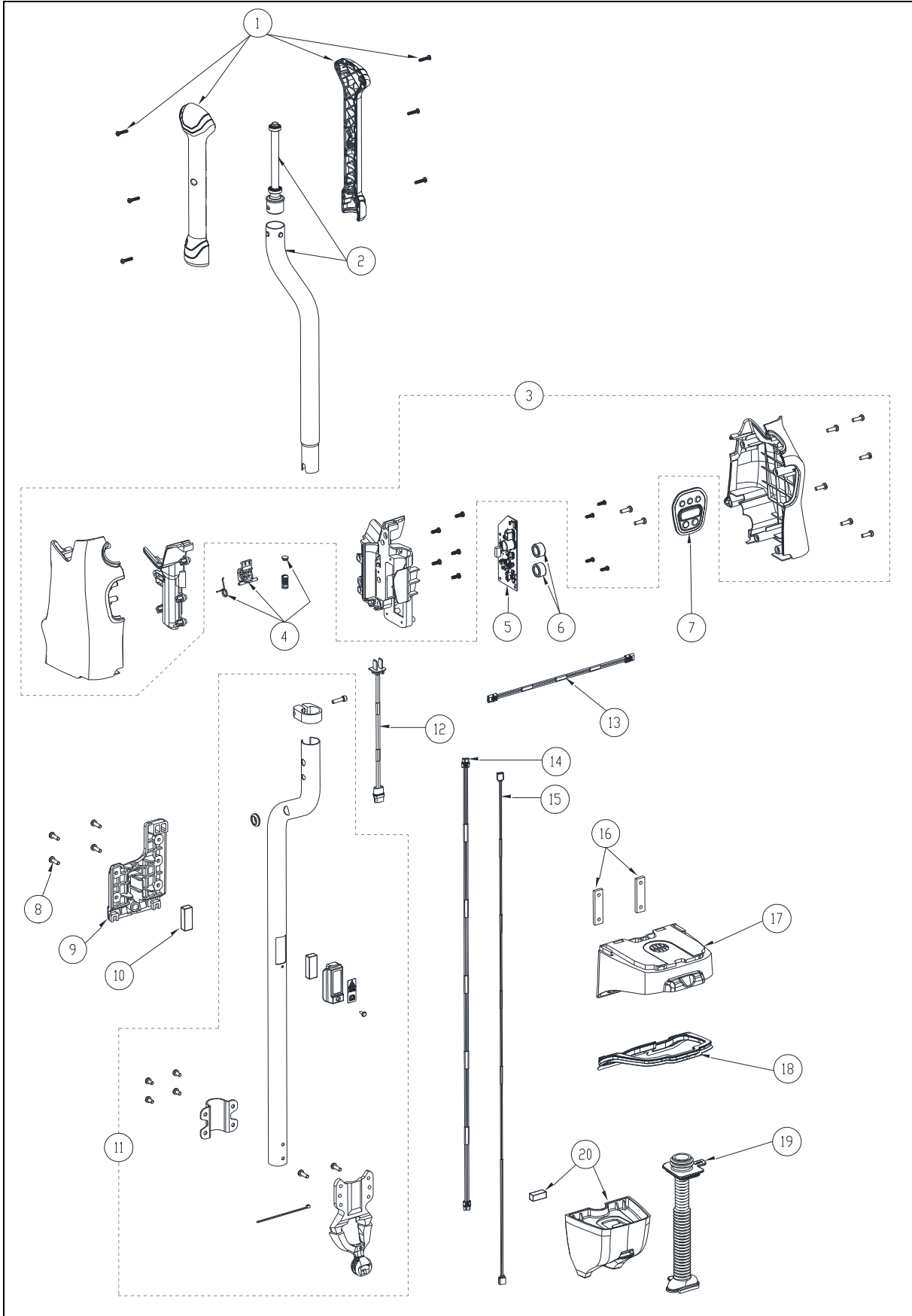
GENERAL VIEW



PARTS LIST**GENERAL VIEW**

| KIT | ITEM | REF. NO. | QTY | DESCRIPTION NOTE | NOTE |
|------------|-------------|-----------------|------------|---------------------------------|-------------|
| | 1 | - | 1 | HEAD ASSEMBLY | |
| | 2 | - | 1 | BAR SQUEEGEE KIT | |
| | 3 | - | 1 | TANK RECOVERY KIT | |
| | 4 | - | 1 | SOLENOID UNIT KIT | |
| | 5 | - | 1 | TANK SOLUTION KIT | |
| | 6 | - | 1 | VACUUM UNIT KIT | |
| | 7 | 58002020 | 1 | BATTERY LI-ION 25.2V 5AH SIP | |
| | 7 | 58002022 | 1 | BATTERY LI-ION 25.2V 5AH US SIP | |
| | 8 | - | 1 | UPPER HANDLE ASSEMBLY | |
| | 9 | 58002028 | 1 | PAD HOLDER SIP | |
| | 10 | 58002029 | 1 | PAD CLEANING SINGLE SIP | |
| | 11 | 58002030 | 1 | CHARGER LI-ION 24V 5A UK KIT | |
| | 11 | 58002031 | 1 | CHARGER LI-ION 24V 5A EU KIT | |
| | 11 | 58002032 | 1 | CHARGER LI-ION 24V 5A AUS KIT | |
| | 11 | 58002033 | 1 | CHARGER LI-ION 24V 5A US KIT | |
| | 12 | 58002075 | 1 | CLAMP HOSE SIP | |
| | 13 | 58002057 | 1 | SOCKET BALL SPYDR KIT | |

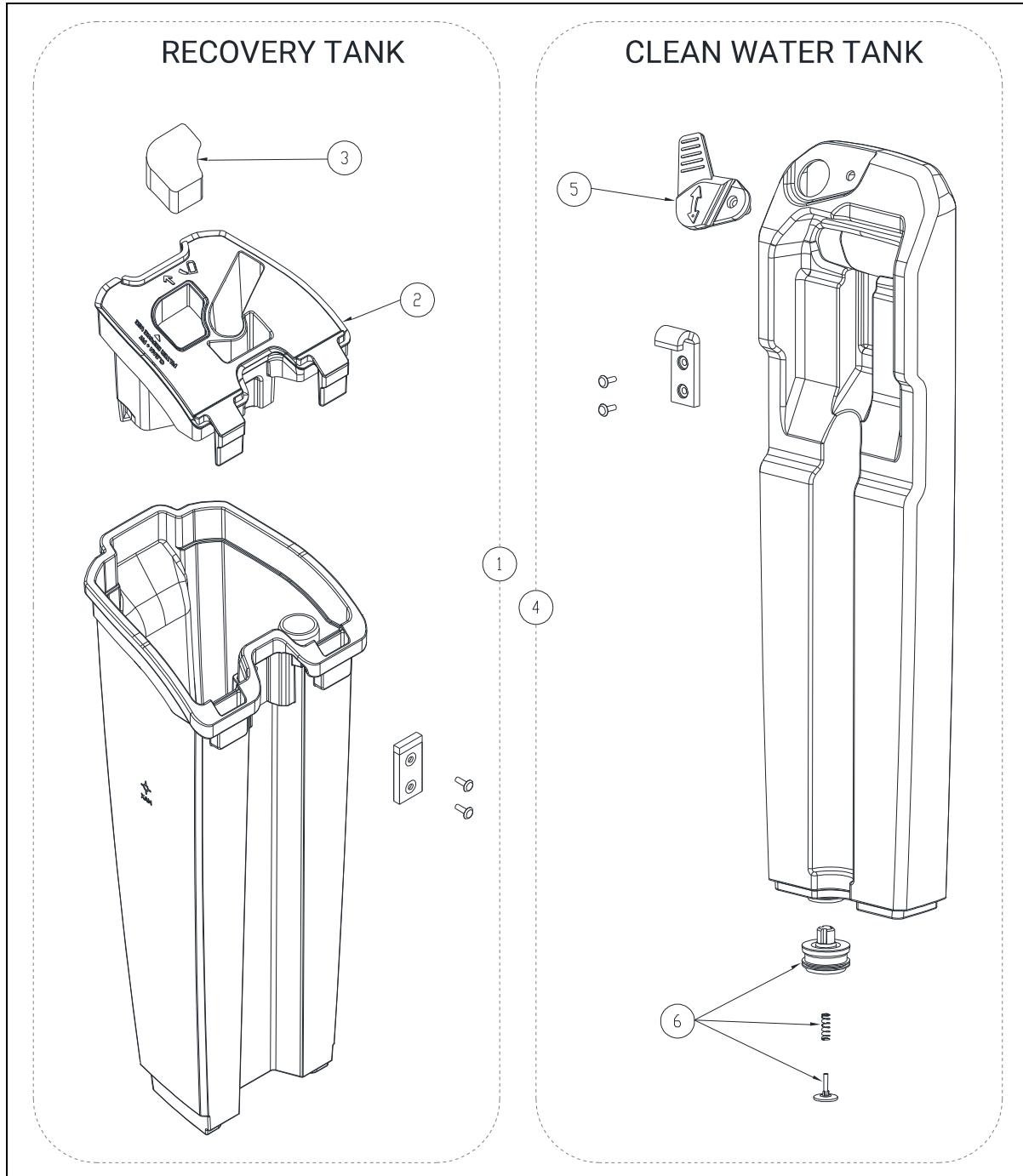
UPPER HANDLE ASSEMBLY



PARTS LIST**UPPER HANDLE ASSEMBLY**

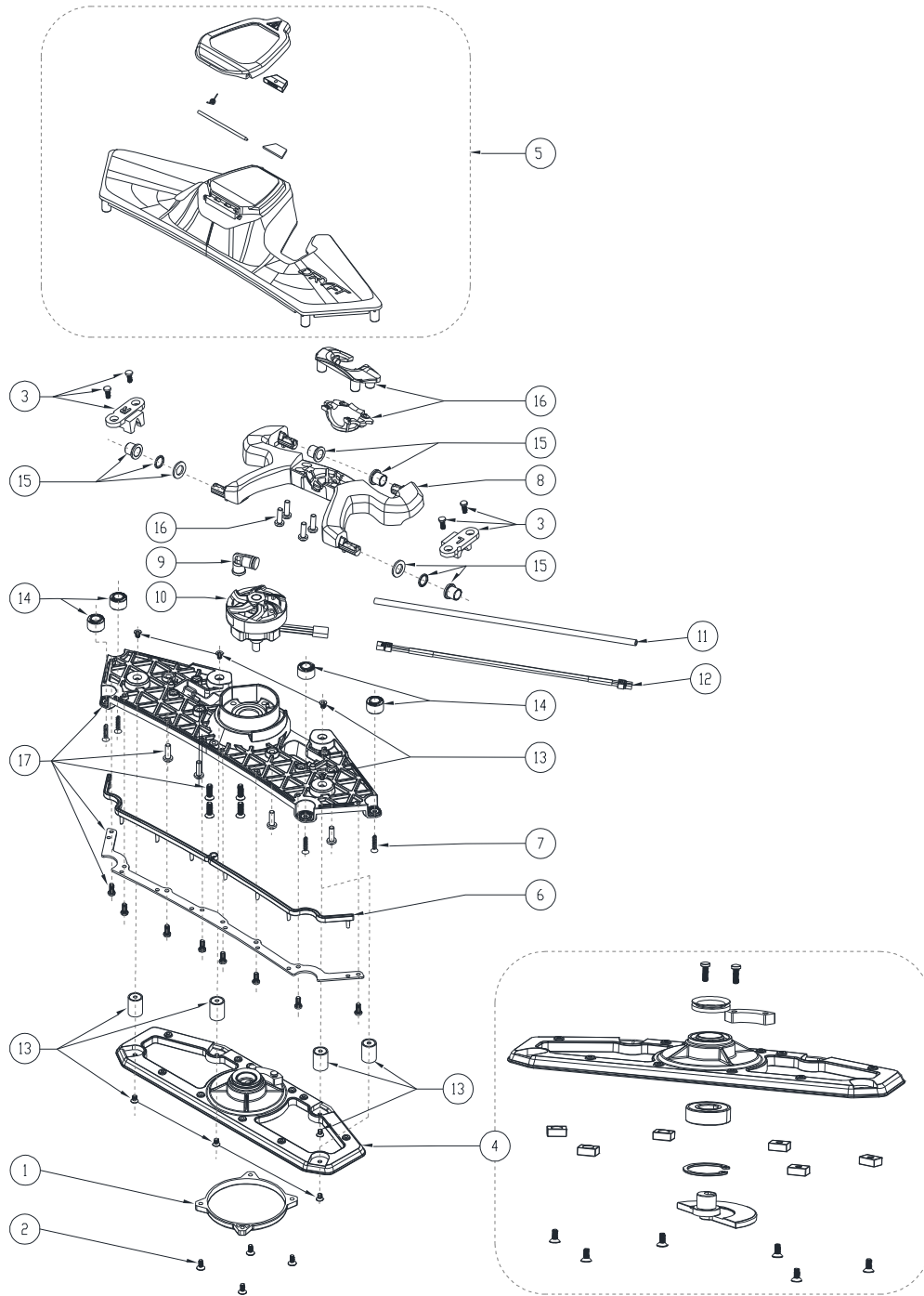
| KIT | ITEM | REF. NO. | QTY | DESCRIPTION NOTE | NOTE |
|------------|-------------|-----------------|------------|--|-------------|
| | 1 | 58002040 | 1 | HANDLE SPIN KIT | |
| | 2 | 58002081 | 1 | SPYNE UPPER KIT | |
| | 3 | 58002035 | 1 | HOUSING ELECTRONICS KIT | |
| | 4 | 58002036 | 1 | RELEASE CATCH / SPRING EJECT. BATT.KIT | |
| | 5 | 58002078 | 1 | PCB MAIN V1 SIP | |
| | 6 | 58002125 | 1 | FERRITE DRYFT SET | |
| | 7 | 58002061 | 1 | PANEL CONTROL SIP | |
| | 8 | 58002091 | 1 | SCREW M5x16mm PAN T25 MACHINE SET | |
| | 9 | 58002090 | 1 | BRACKET HOUSING TANK RECOVERY SIP | |
| | 10 | 58002086 | 1 | MAGNET TANK SET | |
| | 11 | 58002082 | 1 | HANDLE SPIN LOWER KIT | |
| | 12 | 58002063 | 1 | CABLE HARNESS BATTERY SIP | |
| | 13 | 58002062 | 1 | CABLE HARNESS VACUUM MOTOR SIP | |
| | 14 | 58002064 | 1 | CABLE HARNESS MOTOR HEAD PART1 SIP | |
| | 15 | 58002065 | 1 | CABLE HARNESS SOLENOID PART1 SIP | |
| | 16 | 58002088 | 1 | PLATE FIXING HOUSING TANK RECOVERY SET | |
| | 17 | 58002089 | 1 | HOUSING UPPER TANK RECOVERY SIP | |
| | 18 | 58002066 | 1 | SEAL TANK RECOVERY SIP | |
| | 19 | 58002076 | 1 | HOSE SUCTION SIP | |
| | 20 | 58002039 | 1 | HOUSING SEAT TANK RECOVERY KIT | |

RECOVERY AND CLEAN WATER TANK ASSEMBLY



| KIT | ITEM | REF. NO. | QTY | DESCRIPTION | NOTE |
|-----|------|----------|-----|--------------------------------|------|
| | 1 | 58002024 | 1 | TANK RECOVERY KIT | |
| | 2 | 58002044 | 1 | LID TANK RECOVERY SIP | |
| | 3 | 58002045 | 1 | FILTER INLET TANK RECOVERY SIP | |
| | 4 | 58002026 | 1 | TANK SOLUTION KIT | |
| | 5 | 58002067 | 1 | CAP FILL TANK SOLUTION SIP | |
| | 6 | 58002047 | 1 | VALVE TANK SOLUTION SIP | |

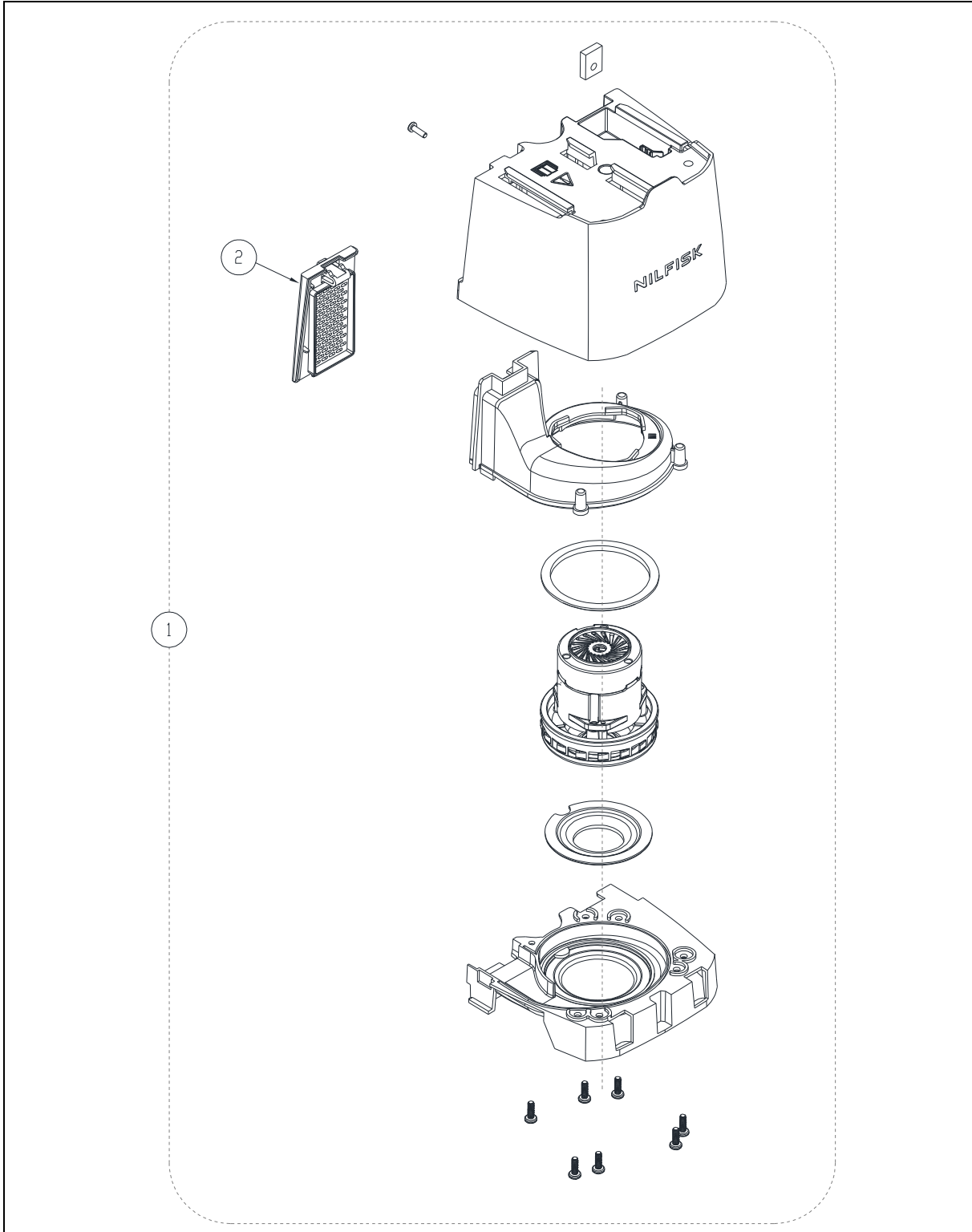
HEAD ASSEMBLY



PARTS LIST**HEAD ASSEMBLY**

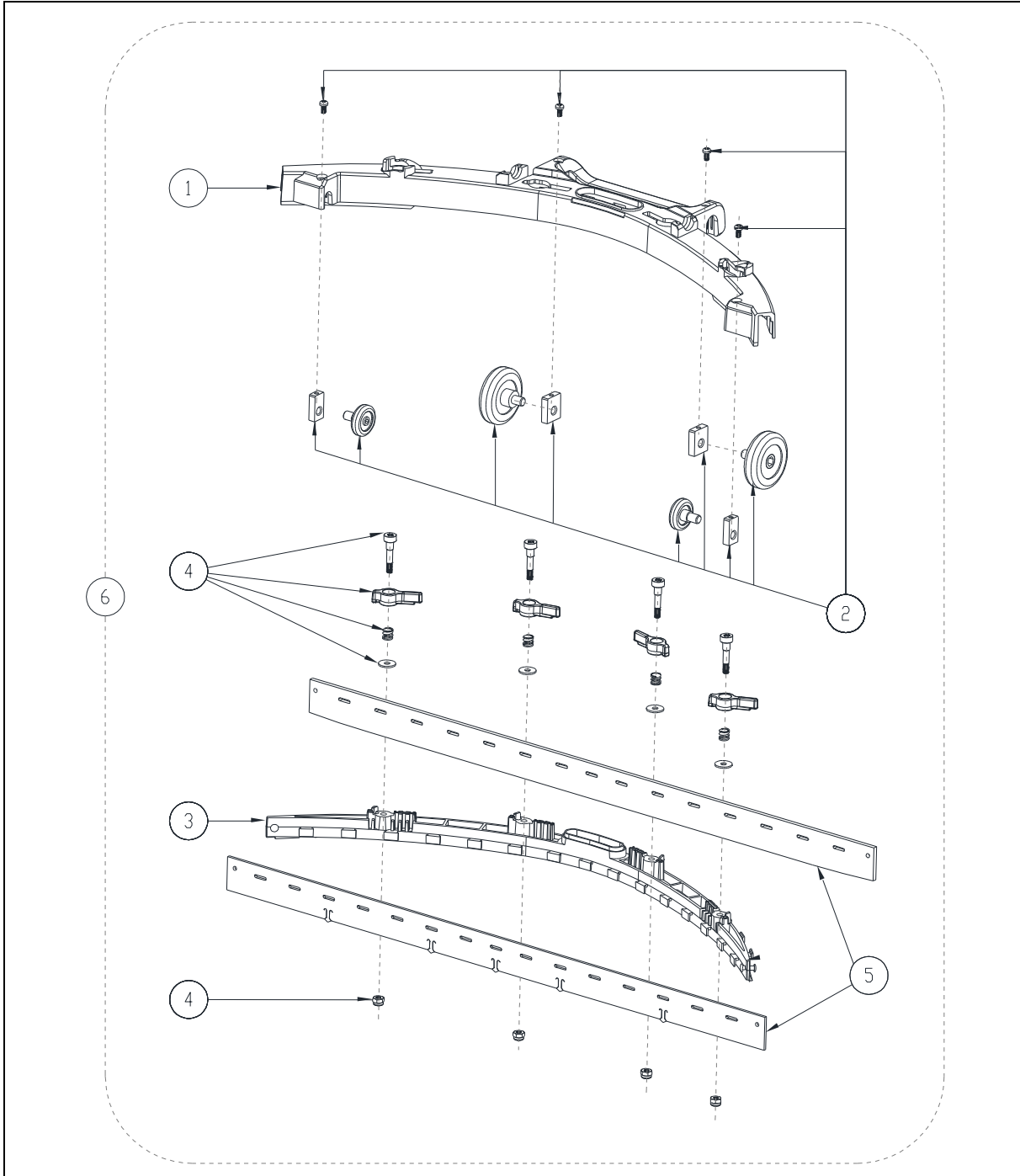
| KIT | ITEM | REF. NO. | QTY | DESCRIPTION NOTE | NOTE |
|------------|-------------|-----------------|------------|---------------------------------------|-------------|
| | 1 | 58002099 | 1 | COVER COUNTERWEIGHT SIP | |
| | 2 | 58002100 | 1 | SCREW M4x10mm CS TORX MACHINE SET | |
| | 3 | 58002051 | 1 | CLAMP FRONT SPYDR BOTH SIDES KIT | |
| | 4 | 58002101 | 1 | OSCILLATING ASSEMBLY KIT | |
| | 5 | 58002050 | 1 | NILFISK HEAD COVER + STAND FRAME ASSY | |
| | 6 | 58002068 | 1 | CHANNEL WATER RELEASE SIP | |
| | 7 | 58002097 | 1 | SCREW M4x20mm CSK PZ2 PLASTIC SET | |
| | 8 | 58002069 | 1 | CHASSIS SPYDR SIP | |
| | 9 | 58002102 | 1 | FITTING ELBOW 90 PUSH 6mm SIP | |
| | 10 | 58002070 | 1 | MOTOR HEAD DIGITAL 12V SIP | |
| | 11 | 58002071 | 1 | HOSE WATER PVC 6MM SIP | |
| | 12 | 58002072 | 1 | WIRING HARNESS MOT. HEAD PART2 SIP | |
| | 13 | 58002056 | 1 | STABILISER OSCILLATING KIT | |
| | 14 | 58002098 | 1 | WHEEL CORNER SET | |
| | 15 | 58002055 | 1 | BUSH SPYDR KIT | |
| | 16 | 58002057 | 1 | SOCKET BALL SPYDR KIT | |
| | 17 | 58002053 | 1 | CHASSIS MOTOR KIT | |

VACUUM UNIT DRYFT ASSEMBLY



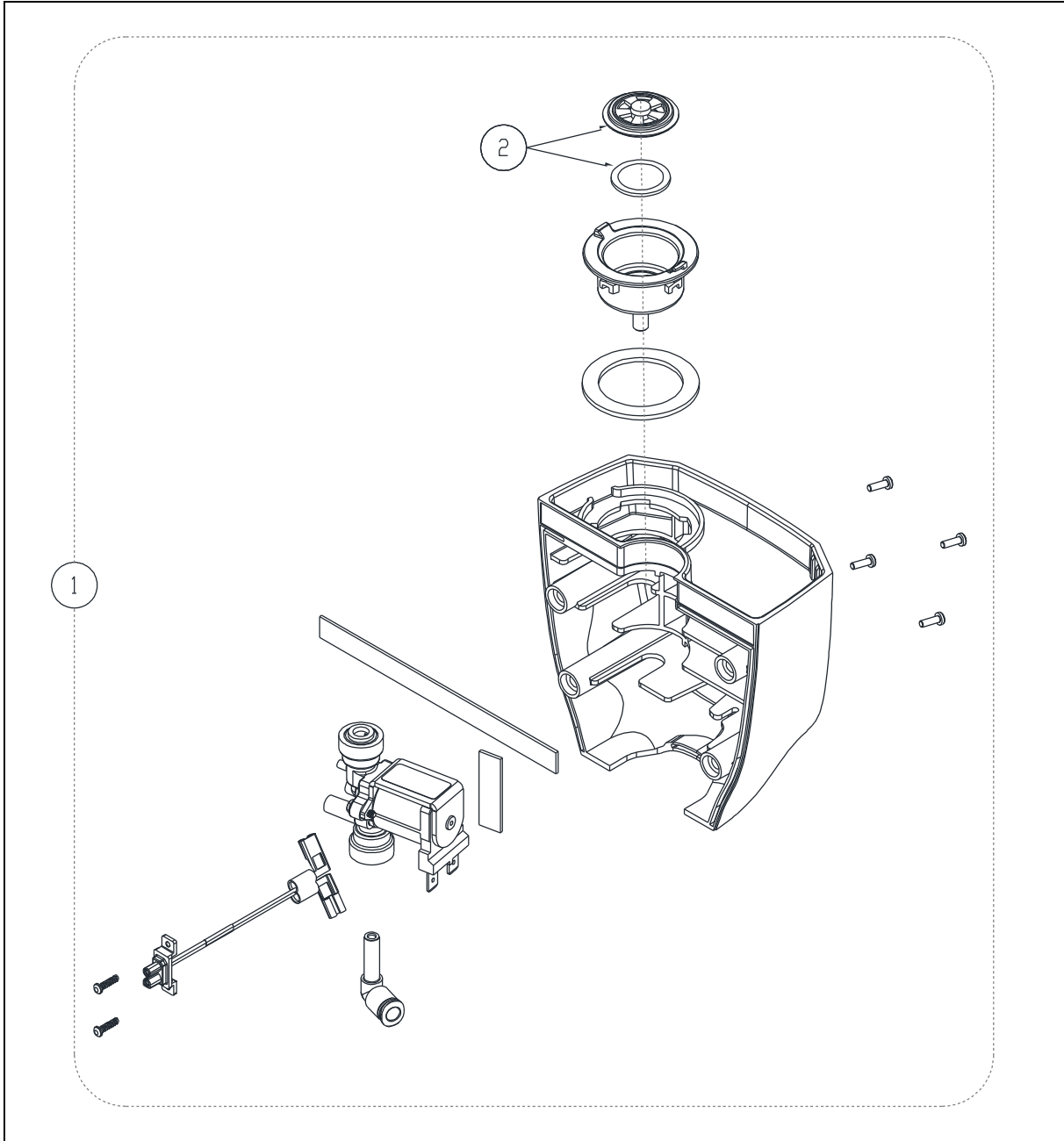
| KIT | ITEM | REF. NO. | QTY | DESCRIPTION | NOTE |
|-----|------|----------|-----|--------------------------|------|
| | 1 | 58002027 | 1 | VACUUM UNIT KIT | |
| | 2 | 58002042 | 1 | COVER FILTER EXHAUST SIP | |

SQUEEGEE BAR ASSEMBLY



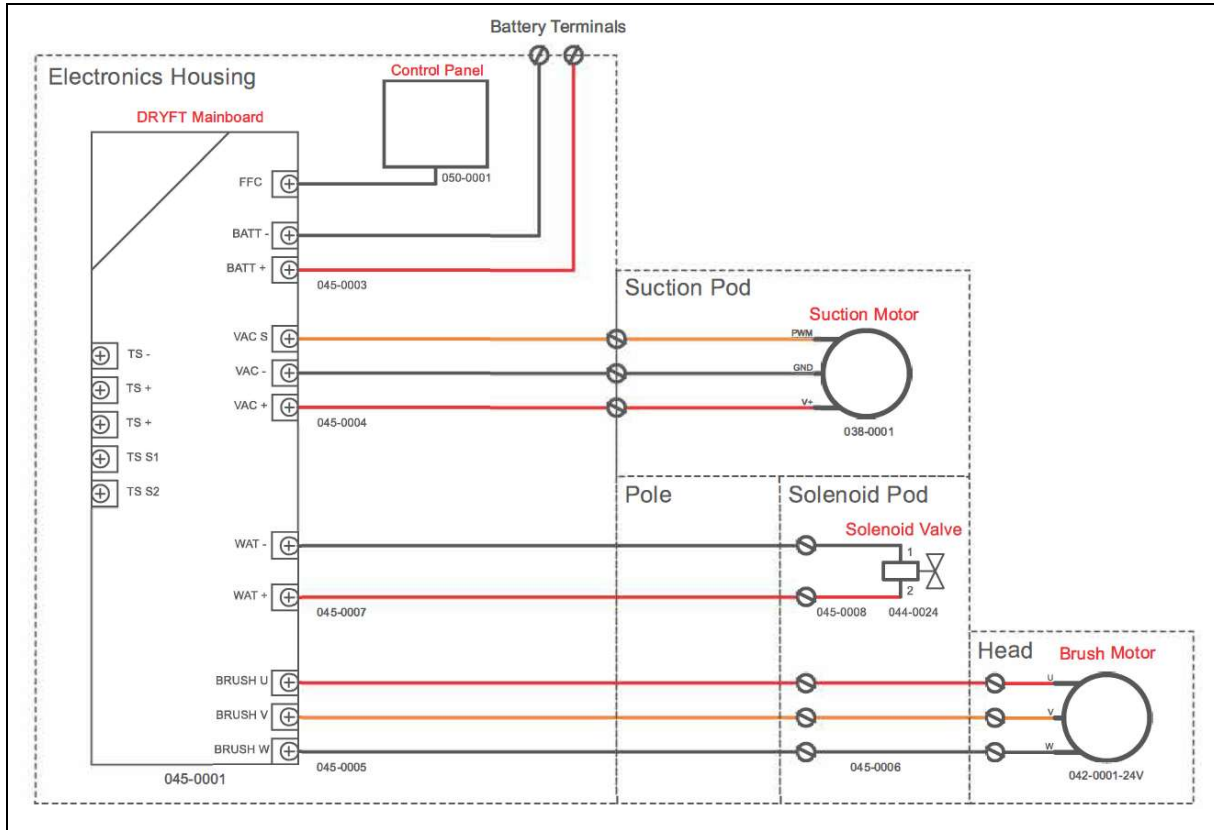
| KIT | ITEM | REF. NO. | QTY | DESCRIPTION | NOTE |
|-----|------|----------|-----|-------------------------------|------|
| | 1 | 58002073 | 1 | HOUSING OUTER SQUEEGEE SIP | |
| | 2 | 58002058 | 1 | WHEEL SQUEEGEE KIT | |
| | 3 | 58002074 | 1 | HOLDER INTERNAL SQUEEGEE SIP | |
| | 4 | 58002059 | 1 | WINGNUT LOCKING SQUEEGEE KIT | |
| | 5 | 58002060 | 1 | BLADES SQUEEGEE (LINATEX) KIT | |
| | 6 | 58002023 | 1 | BAR SQUEEGEE KIT | |

SOLENOID UNIT ASSEMBLY



| KIT | ITEM | REF. NO. | QTY | DESCRIPTION | NOTE |
|-----|------|----------|-----|---------------------------------|------|
| | 1 | 58002025 | 1 | SOLENOID UNIT KIT | |
| | 2 | 58002049 | 1 | FILTER BUCKET TANK SOLUTION KIT | |

WIRING DIAGRAM



| Pin Name | DESCRIPTION |
|----------|----------------------|
| FFC | FFC to control panel |
| BATT - | Battery - |
| BATT + | Battery + |
| VAC S | Vacuum Signal |
| VAC - | Vacuum - |
| VAC + | Vacuum + |
| WAT - | Water Solenoid - |
| WAT + | Water Solenoid + |
| BRUSH U | Brush U |
| BRUSH V | Brush V |
| BRUSH W | Brush W |

PARTS LIST**RECOMMENDED SPARE PARTS**

| REF. NO. | QTY | DESCRIPTION | NOTE |
|----------------------------------|-----|---------------------------------|------|
| NORMAL WEAR | | | |
| 58002060 | 1 | BLADES SQUEEGEE (LINATEX) KIT | |
| 58002029 | 1 | PAD CLEANING SINGLE SIP | |
| ORDINARY MAINTENANCE | | | |
| 58002023 | 1 | BAR SQUEEGEE KIT | |
| 58002028 | 1 | PAD HOLDER SIP | |
| 58002058 | 1 | WHEEL SQUEEGEE KIT | |
| 58002057 | 1 | SOCKET BALL SPYDR KIT | |
| 58002055 | 1 | BUSH SPYDR KIT | |
| 58002098 | 1 | WHEEL CORNER SET | |
| 58002056 | 1 | STABILISER OSCILLATING KIT | |
| 58002042 | 1 | COVER FILTER EXHAUST SIP | |
| 58002045 | 1 | FILTER INLET TANK RECOVERY SIP | |
| 58002049 | 1 | FILTER BUCKET TANK SOLUTION KIT | |
| 58002027 | 1 | VACUUM UNIT KIT | |
| 58002025 | 1 | SOLENOID UNIT KIT | |
| 58002076 | 1 | HOSE SUCTION SIP | |
| EXTRAORDINARY MAINTENANCE | | | |
| 58002020 | 1 | BATTERY LI-ION 25.2V 5AH SIP | |
| 58002022 | 1 | BATTERY LI-ION 25.2V 5AH US SIP | |
| 58002031 | 1 | CHARGER LI-ION 24V 5A EU KIT | |
| 58002033 | 1 | CHARGER LI-ION 24V 5A US KIT | |
| 58002050 | 1 | FRAME STAND WITH MAGNET KIT | |
| 58002068 | 1 | CHANNEL WATER RELEASE SIP | |
| 58002067 | 1 | CAP FILL TANK SOLUTION SIP | |
| 58002070 | 1 | MOTOR HEAD DIGITAL 12V SIP | |
| 58002047 | 1 | VALVE TANK SOLUTION SIP | |
| 58002078 | 1 | PCB MAIN V1 SIP | |
| 58002061 | 1 | PANEL CONTROL SIP | |
| 58002024 | 1 | TANK RECOVERY KIT | |
| 58002026 | 1 | TANK SOLUTION KIT | |

HEAD QUARTER**DENMARK**

Nilfisk A/S
Tel.: (+45) 4323 8100
www.nilfisk.com

SALES COMPANIES**ARGENTINA**

Nilfisk Argentina
Tel.: (+54) 11 6091 1576
www.nilfisk.com.ar

AUSTRALIA

Nilfisk Pty Ltd
Tel.: (+61) 2 98348100
www.nilfisk.com.au

AUSTRIA

Nilfisk GmbH
Tel.: (+43) 662 456 400 90
www.nilfisk.at

BELGIUM

Nilfisk n.v-s.a.
Tel.: (+32) 24 67 60 50
www.nilfisk.be

BRAZIL

Nilfisk do Brasil
Tel.: (+11) 3959-0300 / 3945-4744
www.nilfisk.com.br

CANADA

Nilfisk Canada Company
Tel.: (+1) 800-668-8400
www.nilfisk.ca

CHILE

Nilfisk S.A. (Comercial KCS Ltda)
Tel.: (+56) 2684 5000
www.nilfisk.cl

CHINA

Nilfisk
Tel.: (+86) 21 3323 2000
www.nilfisk.cn

CZECH REPUBLIC

Nilfisk s.r.o.
Tel.: (+420) 244 090 912
www.nilfisk.cz

DENMARK

Nilfisk Danmark A/S
Tel.: 72 18 21 20
www.nilfisk.dk

FINLAND

Nilfisk Oy Ab
Tel.: (+358) 207 890 600
www.nilfisk.fi

FRANCE

Nilfisk SAS
Tel.: (+33) 169 59 87 00
www.nilfisk.fr

GERMANY

Nilfisk GmbH
Tel.: (+49) (0)7306/72-444
www.nilfisk.de

GREECE

Nilfisk A.E.
Tel.: (30) 210 9119 600
www.nilfisk.gr

HOLLAND

Nilfisk B.V.
Tel.: (+31) 036 5460760
www.nilfisk.nl

HONG KONG

Nilfisk Ltd.
Tel.: (+852) 2427 5951
www.nilfisk.com

HUNGARY

Nilfisk Kft.
Tel.: (+36) 24 475 550
www.nilfisk.hu

INDIA

Nilfisk India Limited
Tel.: (+91) 22 6118 8188
www.nilfisk.in

IRELAND

Nilfisk
Tel.: (+35) 3 12 94 38 38
www.nilfisk.ie

ITALY

Nilfisk SpA
Tel.: (+39) (0) 377 414021
www.nilfisk.it

JAPAN

Nilfisk Inc.
Tel.: (+81) 45548 2571
www.nilfisk.com

MALAYSIA

Nilfisk Sdn Bhd
Tel.: (60) 3603 627 43 120
www.nilfisk.com

MEXICO

Nilfisk de Mexico, S. de R.L. de C.V.
Tel.: (+52) (442) 427 77 00
www.nilfisk.com

NEW ZEALAND

Nilfisk Limited
Tel.: (+64) 9 414 1996
www.nilfisk.com

NORWAY

Nilfisk AS
Tel.: (+47) 22 75 17 80
www.nilfisk.no

PERU

Nilfisk S.A.C.
Tel.: (511) 435-6840
www.nilfisk.com

POLAND

Nilfisk Sp. Z.O.O.
Tel.: (+48) 22 738 3750
www.nilfisk.pl

PORTUGAL

Nilfisk Lda.
Tel.: (+351) 21 911 2670
www.nilfisk.pt

SINGAPORE

Den-Sin
Tel.: (+65) 6268 1006
www.densin.com

SLOVAKIA

Nilfisk s.r.o.
Tel.: (+421) 910 222 928
www.nilfisk.sk

SOUTH AFRICA

Nilfisk (Pty) Ltd
Tel.: +27118014600
www.nilfisk.co.za

SOUTH KOREA

Nilfisk Korea
Tel.: (+ 82) 2 3474 4141
www.nilfisk.co.kr

SPAIN

Nilfisk S.A.
Tel.: (34) 93 741 2400
www.nilfisk.es

SWEDEN

Nilfisk AB
Tel.: (+46) 31 706 73 00
www.nilfisk.se

SWITZERLAND

Nilfisk AG
Tel.: (+41) 71 92 38 444
www.nilfisk.ch

TAIWAN

Nilfisk Ltd
Tel.: (+88) 6227 00 22 68
www.nilfisk.tw

THAILAND

Nilfisk Co. Ltd.
Tel.: (+66) 2275 5630
www.nilfisk.co.th

TURKEY

Nilfisk A.S.
Tel.: +90 216 466 94 94
www.nilfisk.com.tr

UNITED ARAB EMIRATES

Nilfisk Middle East Branch
Tel.: (+971) (0) 655-78813
www.nilfisk.com

UNITED KINGDOM

Nilfisk Ltd.
Tel.: (+44) (0) 1768 868995
www.nilfisk.co.uk

UNITED STATES

Nilfisk, Inc.
Tel.: (+1) 800-989-2235
www.nilfisk.com

VIETNAM

Nilfisk Vietnam
Tel.: (+84) 761 5642
www.nilfisk.com

NILFISK