



NORITZ America Corporation

## Hybrid Hot Specification

### Application

The Hybrid Hot Series of water heaters is designed for a wide range of residential and commercial applications. Ideally suited for light commercial applications (e.g. Commercial Kitchens) where space is limited but require heavy water heating loads or heavier commercial applications by pairing up to 12 Hybrid Hot water heaters in a single application. Separating the heating source from the tank allows for easier service and superior product longevity.

### Features

- Field LP convertible (Default NG gas type, parts included)
- Highly efficient, compact design
- Flexible Installation (2" PVC/CPVC/PP)
- Common Vent Capable (Link up to 12 Hybrid Hots to a single venting system)
- Digital pump controller
- High performance pump for maximum recovery rate
- Fully modulating burner with input range from 12,800 BTU/hr – 199,900 BTU/hr
- 96% Thermal Efficiency

### Tank Features

- Cement Lined Tank for superior corrosion resistance and reduced maintenance
- Integrated Heat Trap to reduce heat loss and improve efficiency
- 2" Polyurethane foam insulation
- 3/4" MNPT port for easy connection to recirculation lines
- Brass Drain Valve
- Pre-installed T&P Relief Valve

### Warranty & Approvals

- AHRI, ANSI Z21.10.3, CSA 4.3, Low Lead\*\*, SCAQMD 14 ng/J (20 ppm) Emission Levels
- Heat Exchanger: 10 years\*
- Storage Tank: 10 years
- Other parts: 5 years
- Reasonable Labor: 1 year

\*Refer to the Noritz Limited Warranty for complete coverage details at [www.noritz.com](http://www.noritz.com)

\*\* This product complies with California AB1953 Low Lead Law and section 1417(d) of the Safe Drinking Water Act



### Optional Accessories

- Universal Concentric Vent Kit (PVC-UCVK)
- Low Profile Termination Kit (PVC-\_LPT)
- PVC Concentric Termination (PVC-\_CT)
- 3" Horizontal Hood Termination (PVT-HL)
- SV Conversion Kit (SV-CK-2)
- Bird screen (VT\_-PVCS)
- System Controller (SC-401-6M, SCU-401-12M)
- Neutralizer (NC-1W)
- Neutralizer for up to 16 unit (NT-20A)



Approvals below apply the tankless water heater not the combined product. For inquiries on any other approvals, contact Noritz America.



Rev. 05/25



NORITZ America Corporation


## Specifications

Model	NHH199100-1	
Appliance Type	NCC199CDV (GQ-C3261WZ-FF US) Tankless Water Heater paired with Insulated Storage Tank, Pump and Controller	
Installation Type	Indoor Only	
Ignition Type	Direct Electronic Ignition	
Product Weight	536 lb (243 kg)	
Shipping Weight	642 lb (291 kg)	
Gas Consumption	Minimum: 12,800 Btu/hr (3.8 kW)	Maximum: 199,900 Btu/hr (58.3 kW)
Gas Supply Pressure Range	NG: 3.5" – 10.5" w.c.	LP: 8.0" – 13" w.c.
Water Holding Capacity	119 Gallons (450 L)	
Water Temperature Setting	100 °F - 185°F	
Connection Size	Cold Water Supply	1 ½" NPT
	Hot Water Supply	1 ½" NPT
	Recirculation Return Connection	3/4" NPT
	Condensate Drain	½" NPT
	Gas Supply	3/4" NPT
Power Consumption	Supply	120 VAC (60 Hz)
	Normal Operation	NG: 272W LP: 272W
	Standby	5 W
	Freeze Protection	114 W
	Max Amp	2.3 A
Vent Type	Direct Vent (-SV Convertible)	
Vent Category	Category IV	
Vent Connection Size	2 in.	
Common Vent Capable	Up to 12 units	
Noise level	52 dB	
Complies with SCAQMD 14 ng/j (20 ppm) NOx Emission Levels	Yes	



NORITZ America Corporation

## Performance

Approved Gas Types	Natural Gas or Propane (Field convertible)	
Efficiency (System)		96% Thermal Efficiency
	NCC199CDV (GQ-C3261WZ-FF US) UEF	0.98
First Hour Rating**	317 GPH	

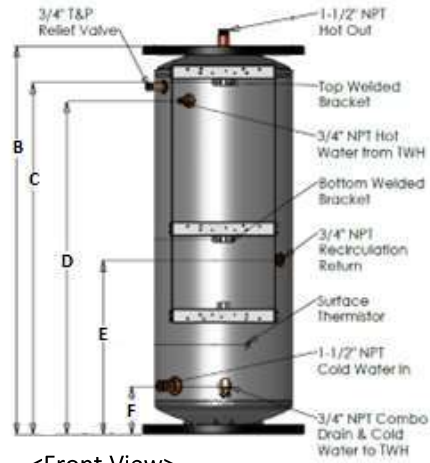
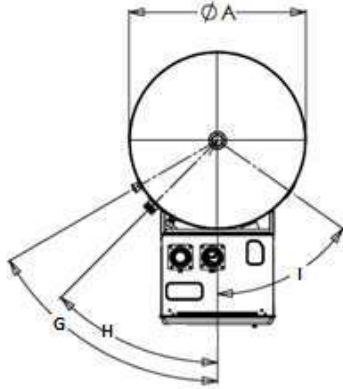
\*\*First hour rating is a calculation based on 100°F temperature rise, with recovery capacity plus 70% usable tank volume .

## Recovery Capacity

Product	Approx. Tank Capacity	Max Input (Btu/hr)	GPH (LPH) vs Temperature Rise											
			30°F 17°C	40°F 22°C	50°F 28°C	60°F 33°C	70°F 39°C	80°F 44°C	90°F 50°C	100°F 56°C	110°F 61°C	120°F 67°C	130°F 72°C	140°F 78°C
NHH199100-1	119 gal	199,900	780	585	468	390	334	292	260	234	213	195	180	167
	450L		2953	2214	1771	1476	1264	1105	984	886	806	738	681	632

## Dimensions

<Top View>



<Front View>

Model	A	B	C	D	E	F	G	H	I
	Diameter	Total Height	Height to T&P	Height Hot Water Inlet from TWH	Height to Recirculation Return	Height to Cold Water Inlet & Inlet to TWH	Angle of T&P	Angle of Tank Cold Inlet	Angle of Recirculation Return
NHH199100-1	28.0	67.75	61.375	58.125	30.375	8.375	60	45	55