

EK SHALLOW WELL JET PUMPS



Product may not be exactly as shown



EK SHALLOW WELL JET PUMP

Includes: Pump, Motor, Pressure Switch and Ejector.

NOTE: EK05S and EK07S feature built-in ejector - no assembly required. EK10S ejector requires assembly.

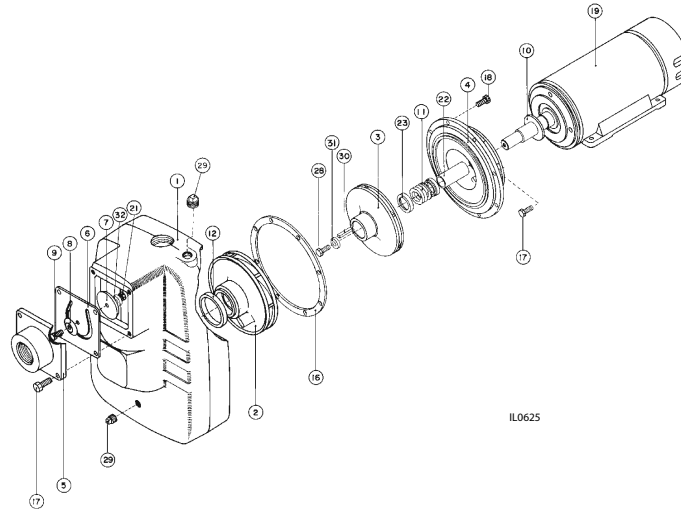
EK SHALLOW WELL CAPACITIES

Model	HP	Suction Lift, Ft.	Discharge Pressures (PSI)				Shut Off Pressure @ 0 Lift (PSI)	Suction & Discharge	Pressure Switch Setting - PSI	Pump Shipping Weight
			20	30	40	50				
CAPACITY - U.S. GALLONS PER MINUTE										
EK05S	1/2	5	10.5	9.5	5.8	4.0	60	1-1/4" x 3/4"	20-40	40
		15	7.6	7.3	4.5	2.5				
		25	4.5	4.2	3.5	2.0				
EK07S	3/4	5	15.5	15.0	10.0	5.8	65	1-1/4" x 3/4"	30-50	41
		15	11.9	11.7	9.1	3.8				
		25	6.0	5.8	5.2	2.0				
EK10S	1	5	20.0	20.0	19.5	18.3	65 60 55	1-1/4" x 1"	30-50	51
		15	15.8	15.5	15.0	14.5				
		25	10.0	9.7	9.5	9.0				

Maximum Pump Case Pressure = 150 PSI

FORM NO. FW0503
0503
SUPERSEDES NEW

SELF-PRIMER PUMP REPAIR PARTS "SPM" SERIES (For Pricing Refer To Repair Parts Price List)



a) SPM30A1 b) SPM30A3 c) SPM50A1 d) SPM50A3

Ref.	Part No.	a	b	c	d	Description	Description	Descripción
1	020595	1	1	1	1	Casing	Boîtier	Carcasa
2	020562	1	1	1	1	Diffuser	Diffuseur	Difusor
3	020560	1	1			Impeller	Roue de Turbine	Impulsor
3	020561			1	1	Impeller	Roue de Turbine	Impulsor
4	020606	1	1	1	1	Adapter	Adaptateur	Adaptador
5	020558	1	1			Valve Body	Corps de soupape	Cuerpo de válvula
5	020559			1	1	Valve Body	Corps de soupape	Cuerpo de válvula
6	020565	1	1	1	1	Valve Gasket	Joint d'étanchéité du soupape	Empaque
7	+	1	1	1	1	Top Weight	Poids superieur	Peso superior
8	+	1	1	1	1	Bottom Weight	Poids inferieur	Peso inferior
9	*	1	1	1	1	Hex HD. bolt	Hex HD. Boulon	Perno Hex.
						1/4UNC x 1ZN PL	1/4UNC x 1ZN PL	1/4UNC x 1ZN PL
10	+	1		1	1	Flinger	Cavalier	Anillo de goma
10	+		1			Flinger	Cavalier	Anillo de goma
11	020563	1	1	1	1	Seal	Joint	Sello
12	020596	1	1	1	1	Diffuser Ring	Anneau diffuseur	Anillo de difusor
16	020564	1	1	1	1	Gasket	Joint d'étanchéité	Empaque
17	*	8	8	8	8	Hex HD. Bolt 3/8 UNC x 1	Hex HD. Boulon 3/8UNC x 1	Perno Hex. 3/8UNC x 1
18	*	8	8	8	8	Hex HD. Bolt 3/8 UNC x 7/8	Hex HD. Boulon 3/8UNC x 7/8	Perno Hex. 3/8UNC x 7/8
19	134962	1				Motor 3HP*1PH*230V	Moteur 3HP*1PH*230V	Motor 3HP*1PH*230V
19	134965		1			Motor 3HP*3PH*230/460V	Moteur 3HP*3PH*230/460V	Motor 3HP*3PH*230/460V
19	134963			1		Motor 5HP*1PH*230V	Moteur 5HP*1PH*230V	Motor 5HP*1PH*230V
19	134966				1	Motor 5HP*3PH*230/460V	Moteur 5HP*3PH*230/460	Motor 5HP*3PH*230/460
21	*	1	1	1	1	Hex Nut 1/4UNC ZN PL	Hex écrou 1/4 UNC ZN PL	Tuerca 1/4 UNC ZN PL
22	020566	1	1	1	1	Sleeve	Manchon	Manga
23	020597	1	1	1	1	Spring Holder	Ressort détenteur	Resorte de soporte
28	*	1				Hex HD Bolt 3/8 UNC x 7/8	Hex HD. Boulon 3/8 UNC x 7/8	Perno Hex. 3/8 UNC x 7/8
28	*				1	Hex HD. Bolt	Hex HD. Boulon	Perno Hex.
	*					3/8UNC x 7/8 ZN PL	3/8UNCx7/8ZN PL	3/8UNCx7/8ZN PL
28	*		1	1		Hex HD. Bolt 3/8 UNC x 7/8 SST	Hex HD. Boulon 3/8 UNC x 7/8 po inox	Perno Hex. 3/8 UNC x 7/8 SST
29	*	2	2	2	2	Pipe Plug 3/4 NPT	Bouchon de tuyau 3/4 NPT	Tapón de tubería 1/4NPT
30	*			1	1	Key 3/16 x 1.375	Cle 3/16 x 1.375	Llave 3/16 x 1.375
30	*	1	1			Key 3/16 x 1.25	Cle 3/16 x 1.25	Llave 3/16 x 1.25
31	*			1	1	Washer	Rondelle	Arandela
31	*	1	1			Washer	Rondelle	Arandela
32	*	1	1	1	1	Washer 1/4	Rondelle	Arandela

* Standard Hardware Item
+ Consult Factory

Article de quincaillerie standard
Consulter l'usine

Pieza de herraje estándar
Consulte con la fábrica