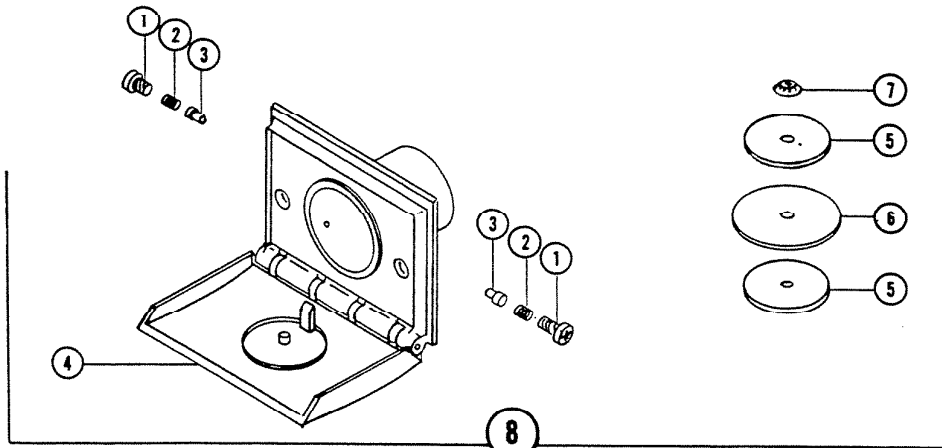


PARTS LIST

MODEL	360
-------	-----



REF. NO.	ORIGINAL PART NO.	DESCRIPTION	CURRENT REPL'MT. PART NO.
1	63201-000	SCREW (ONE) (2 REQUIRED)	63201-004
2	63009-000	SPRING - CONTACT (ONE) (2 REQUIRED)	63009-000
3	63008-000	CONTACT PIN (ONE) (2 REQUIRED)	63008-000
4	69211-000	WALL PLATE ASSEMBLY	69211-000
5	63202-000	VALVE SEAL TOP AND BOTTOM (ONE) (2 REQUIRED)	63202-000
6	63005-000	VALVE SEAL	63005-000
7	63007-000	PUSH NUT	63007-000
8	77160-900	AUTOMATIC INLET COMP.	77160-900
-	63011-000	ENVELOPE ASSY. MTG. SCREWS (NOT SHOWN)	63011-000