

Shower Arm Flanges



PART NUMBER	FLANGE STYLE	FINISH
1182	Sure Grip	CP Steel
1187	Set Screw	CP Die Cast

Face Bushings - IPS and CWT (Solder Type)



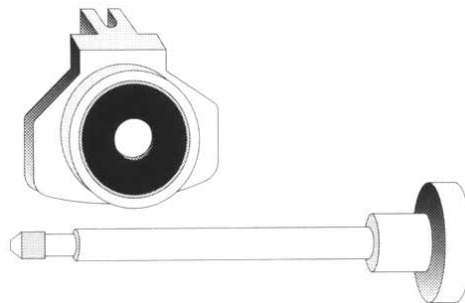
PART NUMBER	MATERIAL	SIZE
1139	Plastic	3/4" x 1/2" IPS
1141	Brass	3/4" x 1/2" IPS
1146	Brass	1/2" x 3/8" IPS
1317	Brass	1/2" IPS x 1/2" CWT
1318	Brass	3/4" IPS x 3/4" CWT
1319	Brass	1" IPS x 1" CWT

Diverter Spouts Lift Replacement

Fits Spouts:

1128, 1134, 1136, 11287, 11427
1142, 1143 & 1144

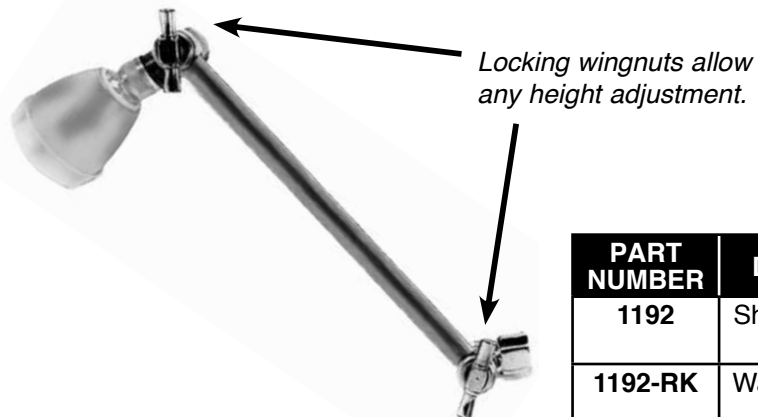
- Brass lift
- Rubber washer
- Plastic slide
- Installs in seconds



PART NUMBER
1109

Adjustable Shower Arm

- 1/2" MPT x 1/2" FPT
- 10" Length
- Chrome plated brass



PART NUMBER	DESCRIPTION
1192	Shower arm LESS shower head
1192-RK	Washers and Gas-kets