

T-HANDLE GRIPPER®



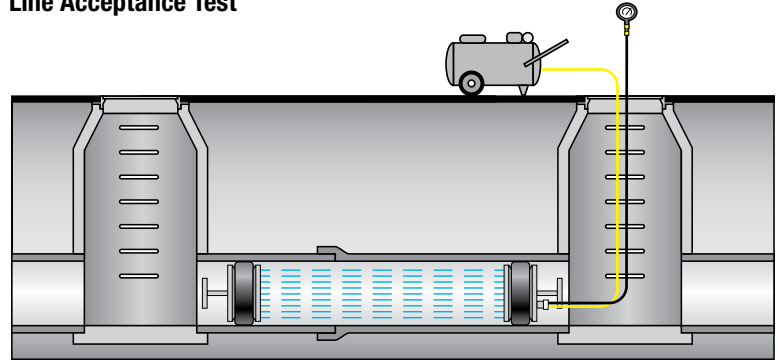
T-Handle Aluminum Gripper® Plug Features:

- Ideal for long term applications
- 6" – 12" plugs are sized for concrete, clay, and SDR 26 and 35 pipe
- 15" and 18" plugs are sized for concrete and clay pipe sizes only
- Available with or without bypass
- Can be used for sewer air pressure tests

Equipped with:

- Heavy duty aluminum body and zinc plated steel T-handle
- Chemical resistant neoprene O-ring

Line Acceptance Test



T-HANDLE GRIPPER WITH BYPASS



PART NUMBER	NOMINAL SIZE	USAGE RANGE	MAXIMUM BACK PRESSURE		LENGTH	PRODUCT WEIGHT	BYPASS DIAMETER (NPT)
272949	6" (150 mm)	5.7"–6.3" (144–160 mm)	10 psi (0,7 bar)	23 ft. (10 M)	9.7" (247 mm)	6.5 lbs (3 kg)	1/4" M
272957	8" (200 mm)	7.7"–8.3" (196–211 mm)	10 psi (0,7 bar)	23 ft. (10 M)	9.7" (247 mm)	9.5 lbs (4.3 kg)	3/4" M
272965	10" (250 mm)	9.8"–10.3" (248–262 mm)	10 psi (0,7 bar)	23 ft. (10 M)	9.7" (247 mm)	12.5 lbs (5.7 kg)	3/4" M
272973	12" (300 mm)	11.7"–12.3" (297–312 mm)	10 psi (0,7 bar)	23 ft. (10 M)	9.7" (247 mm)	16 lbs (7.3 kg)	3/4" M
272981	15" (380 mm)	14.8"–15.3" (377–388 mm)	10 psi (0,7 bar)	23 ft. (10 M)	9.7" (247 mm)	24 lbs (10.7 kg)	3/4" M
272998	18" (460 mm)	17.7"–18.3" (450–465 mm)	8.7 psi (0,61 bar)	20 ft. (6.1 M)	9.7" (247 mm)	31 lbs (14 kg)	3/4" M

T-HANDLE GRIPPER

PART NUMBER	NOMINAL SIZE	USAGE RANGE	MAXIMUM BACK PRESSURE		LENGTH	PRODUCT WEIGHT
272892	6" (150 mm)	5.7"–6.3" (144–160 mm)	17 psi (1,2 bar)	40 ft. (12 M)	9.7" (247 mm)	6 lbs (2.7 kg)
272906	8" (200 mm)	7.7"–8.3" (196–211 mm)	17 psi (1,2 bar)	40 ft. (12 M)	9.7" (247 mm)	9 lbs (4.1 kg)
272914	10" (250 mm)	9.8"–10.3" (248–262 mm)	17 psi (1,2 bar)	40 ft. (12 M)	9.7" (247 mm)	12 lbs (5.4 kg)
272922	12" (300 mm)	11.7"–12.3" (297–312 mm)	13 psi (0,9 bar)	30 ft. (9.1 M)	9.7" (247 mm)	15.5 lbs (7 kg)
272930	15" (380 mm)	14.8"–15.3" (377–388 mm)	13 psi (0,9 bar)	30 ft. (9.1 M)	9.7" (247 mm)	23 lbs (10.4 kg)
272888	18" (460 mm)	17.7"–18.3" (450–465 mm)	8.7 psi (0,61 bar)	20 ft. (6.1 M)	9.7" (247 mm)	30 lbs (13.6 kg)

ALWAYS BLOCK PLUGS WHEN CONDUCTING AIR TESTS.