

# TKO™ KNOCKOUT CLOSET FLANGE

883/884 SERIES

TKO™

ITEM # SUBMITTED	_____
JOB NAME	_____
LOCATION	_____
ENGINEER	_____
CONTRACTOR	_____
PO#	_____ TAG _____

## SPECIFICATION

Sioux Chief 883 or 884 Series TKO closet flanges shall be installed where necessary in drainage systems. Closet flange shall be fastened to floor and provide tabs or slots for fastening closet bolts to flange ring. Flange shall have a 3" Sch. 40 hub connection which conforms to ASTM D2665 (PVC) or D2661 (ABS) and also install inside most 4" pipe. Knockout cap must come out in one piece and shall be sized larger than drain opening, preventing it from falling down drain line. Closet flange shall hold a standard head test and be UPC listed.

## MATERIALS

**Flange body:** PVC, ABS

**Flange ring:** PVC, ABS, 18 gauge 430 stainless steel

## DIMENSIONS

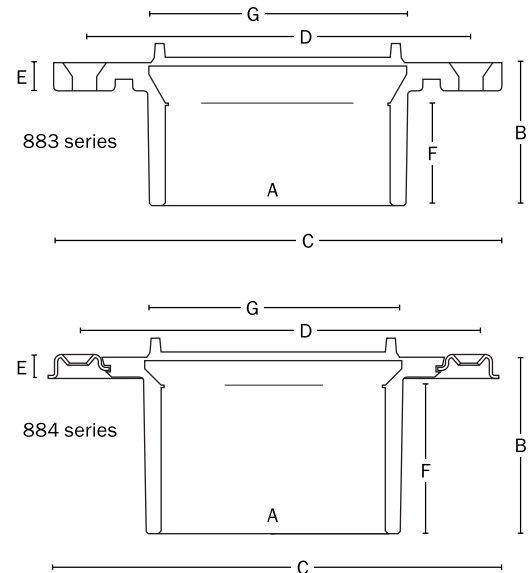
	883 Series	884 Series
A: connection	3" Sch. 40 hub	3" Sch. 40 hub
B: overall height	2.20"	2.75"
C: overall diameter	6.94"	7.13"
D: screw centers	6.00"	6.00"
E: flange thickness	0.44"	0.38"
F: hub depth	1.53"	2.4375"
G: knockout diameter	4.00"	4.00"



883-AT



884-PTM



ABS Models only

Create Item Number

### STANDARD ONE-PIECE DESIGN

**883-PT** = 3" hub PVC one-piece knockout closet flange, flush fit

**883-AT** = 3" hub ABS one-piece knockout closet flange, flush fit

### STAINLESS STEEL SWIVEL RING

**884-PTM** = 3" hub PVC stainless steel ring knockout closet flange, flush fit

**884-ATM** = 3" hub ABS stainless steel ring knockout closet flange, flush fit