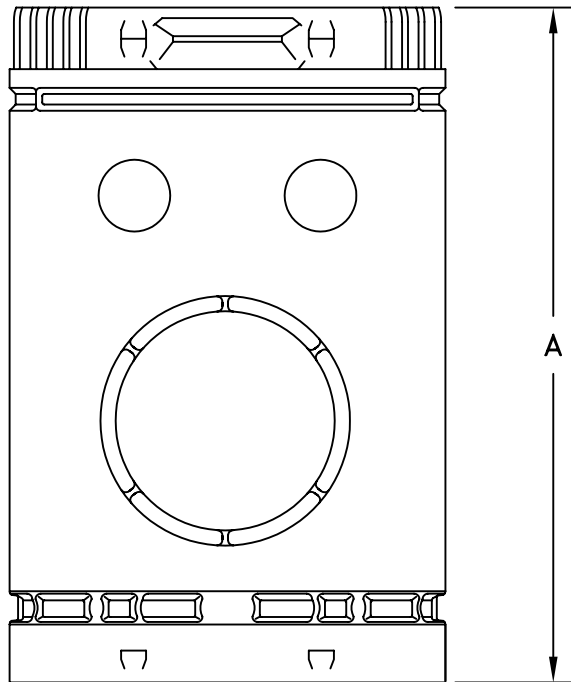
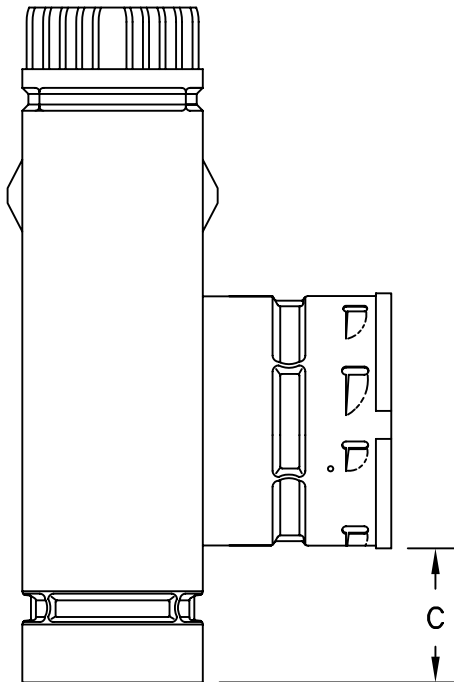
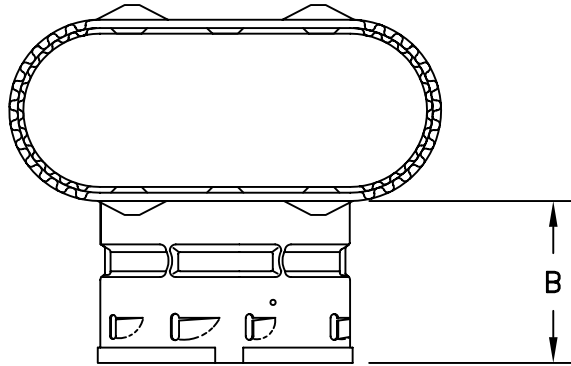


SUBMITTAL DRAWING	JOB NAME: _____	Type B Gas Vent STANDARD TEE SIZES: 4" -6"
	LOCATION: _____	
	ARCHITECT: _____	
DATE: 05/03/05	ENGINEER: _____	DRAWING #: B2-8
SUBMITTED BY: _____	CONTRACTOR: _____	



PART NO.	SIZE	HEIGHT A	DEPTH B	DISTANCE C
40T	4"	12"	2-9/16"	2-3/8"
50T	5"	12"	2-9/16"	2-3/8"
60T	6"	12"	2-5/8"	2-3/4"



• **MATERIAL**
 OUTER - MIN., .018 THICK, GALVANIZED STEEL
 INNER - MIN., .012 THICK, ALUMINUM ALLOY