

# SPECIFICATION SUBMITTAL SHEET

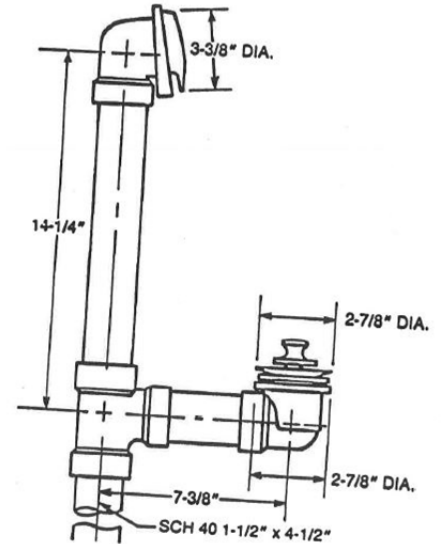


**SCHEDULE 40 WASTE & OVERFLOW – ONE HOLE, FULL KIT**

**Job Name:** \_\_\_\_\_ **Contractor:** \_\_\_\_\_  
**Job Location:** \_\_\_\_\_ **Approval:** \_\_\_\_\_  
**Engineer:** \_\_\_\_\_ **Contractor's PO#:** \_\_\_\_\_  
**Approval:** \_\_\_\_\_ **Representative:** \_\_\_\_\_

**Specifications**

**One-Hole Waste & Overflow**  
**Full Kit with Pipe and Tee and Test Kit**  
**Push eN Lift Stopper**  
**Available in PVC and ABS**  
**CT = Retaining Clip and Test Kit**



Select Part# Below for Style/Size/Finish of Product Specified:

√	AB&A Part #	Product Code	Material	Finish	Case QTY
	ABA906	61026	ABS	Chrome	10
	ABA910SN	61029	ABS	Satin Nickel	10
	ABA910VB	61292	ABS	Venetian Bronze	10
	ABA910ORB	61287	ABS	Oil Rubbed Bronze	10
	ABA911	61030	PVC	Chrome	10
	ABA915SN	61268	PVC	Satin Nickel	10
	ABA915VB	61301	PVC	Venetian Bronze	10
	ABA915ORB	61297	PVC	Oil Rubbed Bronze	10

FOR KITS WITH RETAINING CLIP AND TEST KIT ADD "CT" TO END OF MODEL #

