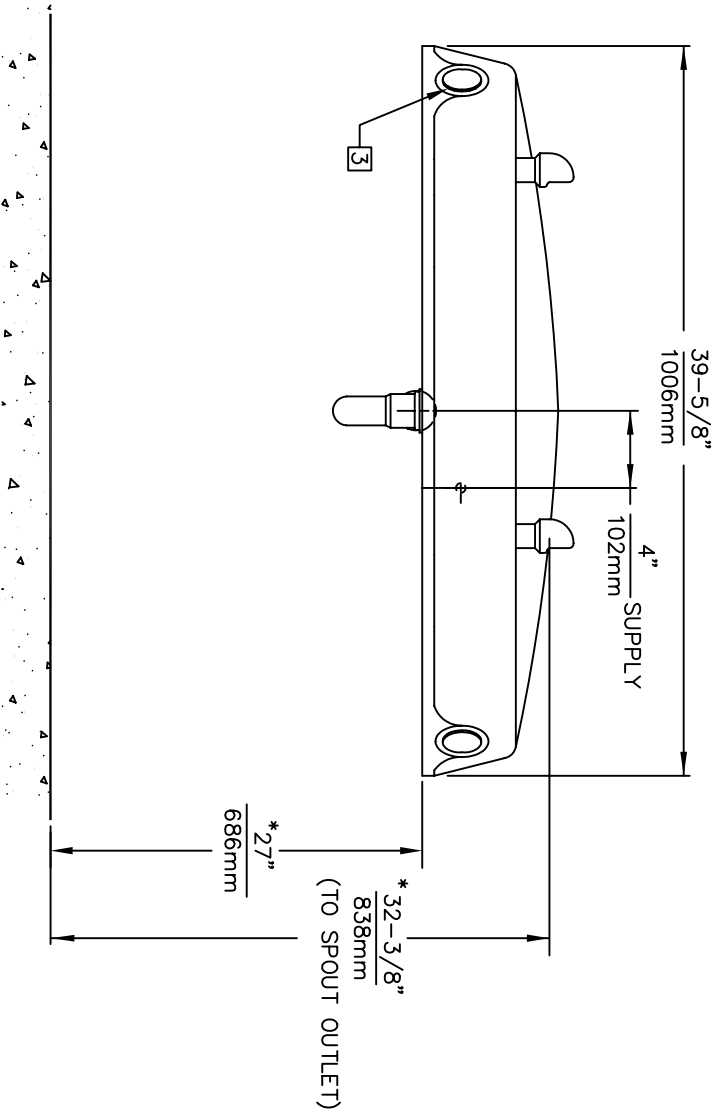
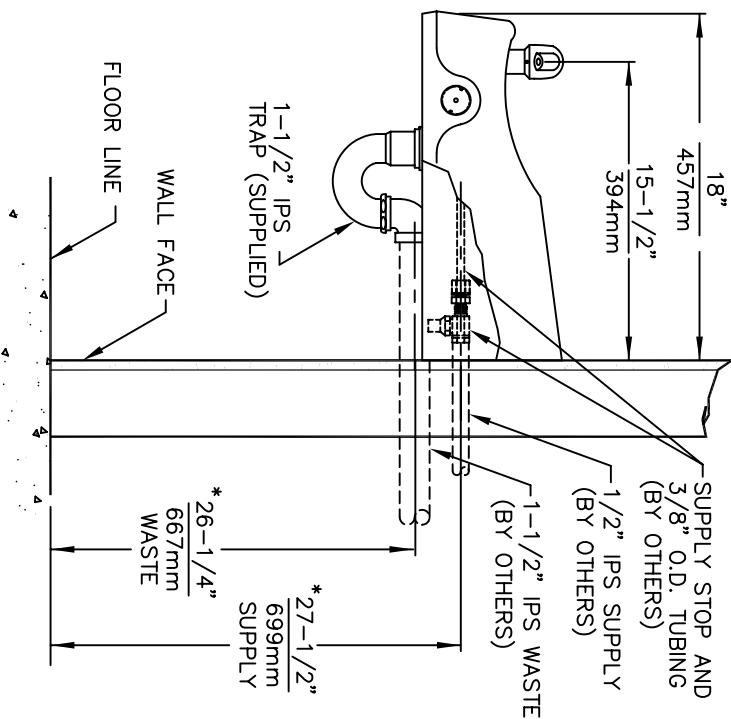


MOUNTING DETAIL



- NOTES:**
1. HOLD ROUGH-IN DIMENSIONS ±1/4" (6.4mm).
 2. WHEN INSTALLING THIS UNIT, LOCAL, STATE OR FEDERAL CODES SHOULD BE ADHERED TO. FOR DIFFERENT INSTALLATION HEIGHTS OTHER THAN SHOWN, DIMENSIONS MARKED (*) MUST BE ADJUSTED ACCORDINGLY.
 3. REFER TO 5874/VRK5874 OPERATION AND MAINTENANCE MANUAL FOR PUSH BUTTON AND VALVE INSTALLATION/ MAINTENANCE INSTRUCTIONS.



INFO FAX : 1-888-FAX-HAWS (1-888-329-4297)

1455 Kiappa Ln, Sports NY, 89431
 Phone: 775-359-4712 Fax: 775-359-7424
 Hows Ag Building 3 CH-3401 Burgdorf, Switzerland
 Hows Mfg Pte Ltd 74 Sungai Kodut Loop Singapore 729531
 e-MAIL: Haws@hawsco.com Website: www.hawsco.com

REG. NO. 1441 MODEL(S):
 ECON. 3476 HAWKS CORPORATION
 DATE 08/92 CHECKED: 1441
 APPROVER: DATE: INFO FAX DOC # 21441
 SCALE: 1:10 DRAWING TYPE: INSTALLATION/FABRICK