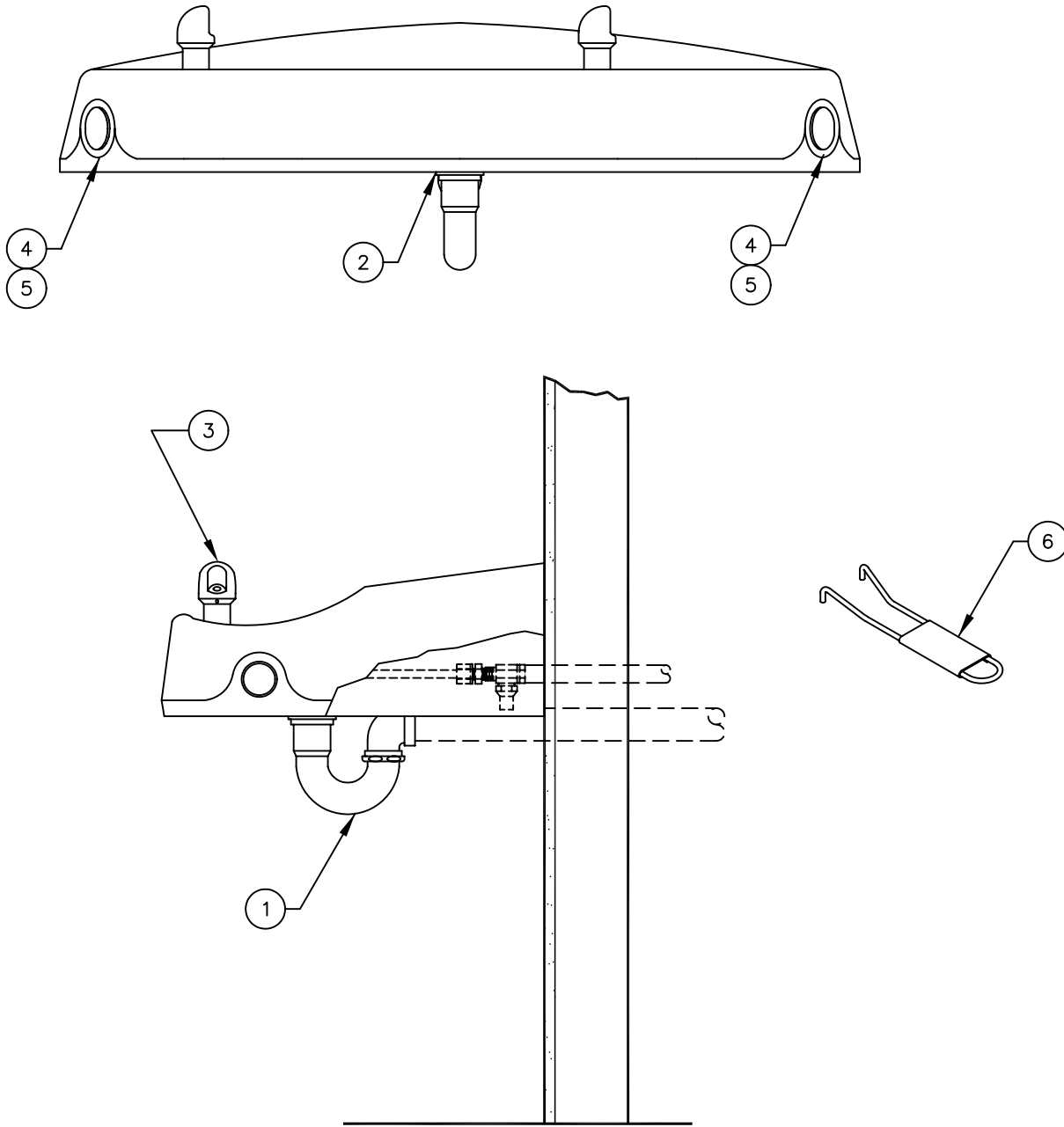


ITEM	DESCRIPTION
1	TRAP P/N 0005987000
2	STRAINER ASSY 6454
3	BUBBLER HEAD 5703M
4	PUSH BTN ASS'Y PBA7
5	VALVE 5874
6	SPANNER WRENCH P/N 0006983506

PARTS BREAKDOWN



**WHEN ORDERING
PARTS PLEASE
SPECIFY YOUR
MODEL NUMBER**



1455 KLEPPE LANE BACHWEG 3
SPARKS, NEVADA CH3401 BURGDORF
SWITZERLAND

DRAWN BY: D. OLLOM	DATE: 11/25/95	CHECK BY:	APP'D BY:	SCALE: 1/4
TITLE: 1441			PART NUMBER: 0002076867	
DRAWING TYPE: PARTS BREAKDOWN			DRAWING NUMBER: 12798C00	REV. 12