

FRANK PATTERN™ FLOOR DRAINS

SPECIFICATION

- Recommended for use on concrete floors to facilitate drainage where water can collect
- Drain unit consists of cast iron main body and adjustable height brass grate assembly

DESIGN FEATURES

- Cast iron main body and top flange with corrosion resistant coating
- Adjustable height brass grate assembly
- Removable brass grate for drain cleaning and replacement
- Also available with chrome plated brass grate and base in round & square
- Stainless steel fasteners
- Load Rating: Light to Medium duty

COMPLIANCES/LISTINGS

- IAPMO 0848; ASME A112.6.3-2019 / UPC / IPC
- Uniform Plumbing Code (UPC®)
- International Plumbing Code (IPC®)

INSTALLATION

1. Position drain assembly in place with drain pipe connected prior to pouring concrete.
2. No hub models require connection clamp, which is not included.
3. Adjust brass grate assembly to desired height
4. Pour concrete to desired height

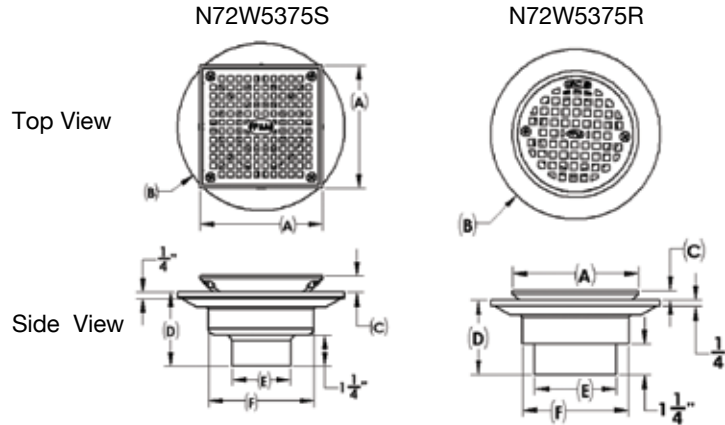


PART NUMBER	OUTLET SIZE	OUTLET TYPE	ROUND STRAINER	SQUARE TOP	MSTR CTN QTY
7" ADJUSTABLE FLOOR DRAINS WITH NICKEL BRONZE STRAINER					
N72		No-Hub			4
N73		No-Hub			4
N72W5375R	2"	No-Hub	5" Round		4
N73W5375R	3"	No-Hub	5" Round		4
N72W5375S	2"	No-Hub		5" Square	4
N73W5375S	3"	No-Hub		5" Square	4
7" ADJUSTABLE FLOOR DRAINS WITH NICKEL BRONZE STRAINER AND MEMBRANE CLAMP					
7020	2"	Instant Set®			4
N702	2"	No-Hub			4
N703	3"	No-Hub			4
N702W5375R	2"	No-Hub	5" Round		4
N703W5375R	3"	No-Hub	5" Round		4
7020W5375R	2"	Instant Set®	5" Round		4
N702W5375S	2"	No-Hub		5" Square	4
N703W5375S	3"	No-Hub		5" Square	4
7020W5375S	2"	Instant Set®		5" Square	4
ACCESSORIES					
100EX	Extension Extends 2"-4"				4
5375R-S&S	Plate Screen & Screws				1
5375R	Nickel Bronze Floor Drain Strainer Top		Round		16
5375S	Nickel Bronze Floor Drain Strainer Top			Square	16
CHR5375R	Chrome Plated Floor Drain Strainer Top		Round		16
CHR5375S	Chrome Plated Floor Drain Strainer Top			Square	16

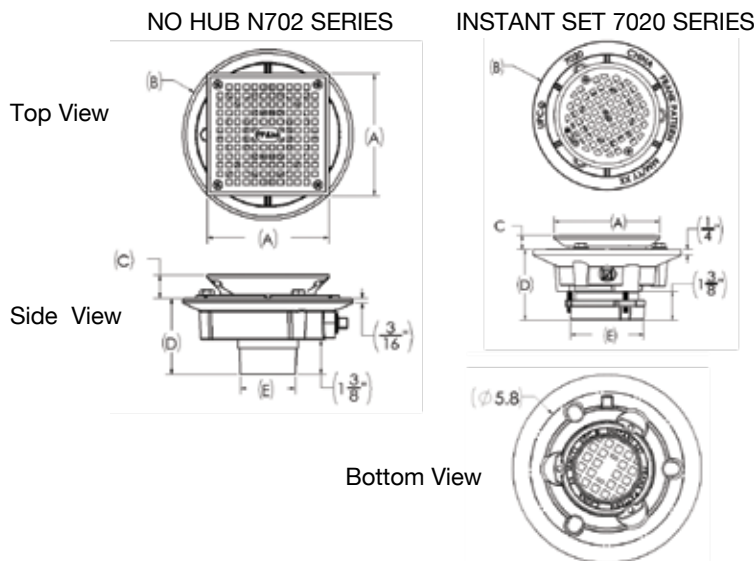
Product Submittal	
Job Name:	Date:
Part Number:	Quantity:
Architect:	
Contractor:	

Content matter is subject to change at any time. It is the user's responsibility to ensure the most updated revisions are obtained. 4/2021

DIMENSIONS



PART NUMBER	DESCRIPTION	DRAIN CONNECTION	DRAIN PIPE SIZE	DIMENSIONS (inches)						
				A	B	C (min)	C (max)	D	E	F
N72W5375R	5" Round Grate	No-Hub	2"	5 1/16	6 13/16	3/8	15/16	3	2 3/8	4 1/4
N72W5375S	5" Square Grate	No-Hub	2"	5	6 13/16	11/16	1 1/4	3	2 3/8	4 1/4
N73W5375R	5" Round Grate	No-Hub	3"	5 1/16	6 13/16	3/8	15/16	3	3 5/16	4 1/4
N73W5375S	5" Square Grate	No-Hub	3"	5	6 13/16	11/16	1 1/4	3	3 5/16	4 1/4
N72	Body Only		2"	-	6 13/16	-	-	3	2 3/8	4 1/4
N73	Body Only		3"	-	6 13/16	-	-	3	3 5/16	4 1/4



PART NUMBER	DESCRIPTION	DIMENSIONS (inches)						
		A	B	C (min)	C (max)	D	E	
7020	Body	-	7 1/8	-	-	3 3/8	3 1/2	
7020W5375R	5" Round	5 1/16	7 1/8	9/16	1 3/16	3 3/8	3 1/2	
7020W5375S	5" Square	5	7 1/8	1	1 7/16	3 3/8	3 1/2	
N702	Body	-	7	-	-	3 1/8	2 1/4	
N702W5375R	5" Round	5 1/16	7	11/16	1 1/4	3 1/8	2 1/4	
N702W5375S	5" Square	5	7	15/16	1 9/16	3 1/8	2 1/4	
N703	Body	-	7	-	-	3 3/16	3 3/8	

Content matter is subject to change at any time. It is the user's responsibility to ensure the most updated revisions are obtained. 4/2021