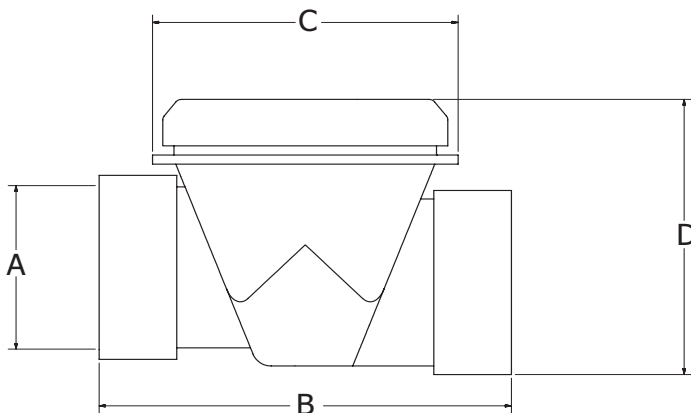




## BACKWATER VALVES

- Sockets are Schedule 40 DWV
- Reduces backflow in drainage system
- Threaded access cover for easy inspection
- Magnetic strip for underground detection
- Flapper and cover have elastomeric gasket to ensure watertight seal
- Stepped construction encourages flow (minimum 1/4" per foot fall)
- UPC Listed



Part No.		Valve Size	A	B	C	D
PVC	ABS					
B04150	B05150	1.50"	1.92"	4.50"	4.00"	4.13"
B04200	B05200	2.00"	2.39"	4.50"	4.00"	4.13"
B04300	B05300	3.00"	3.52"	7.76"	6.00"	5.75"
B04400	B05400	4.00"	4.52"	10.76"	7.75"	7.25"
B04600	B05600	6.00"	6.65"	15.25"	10.00"	9.90"