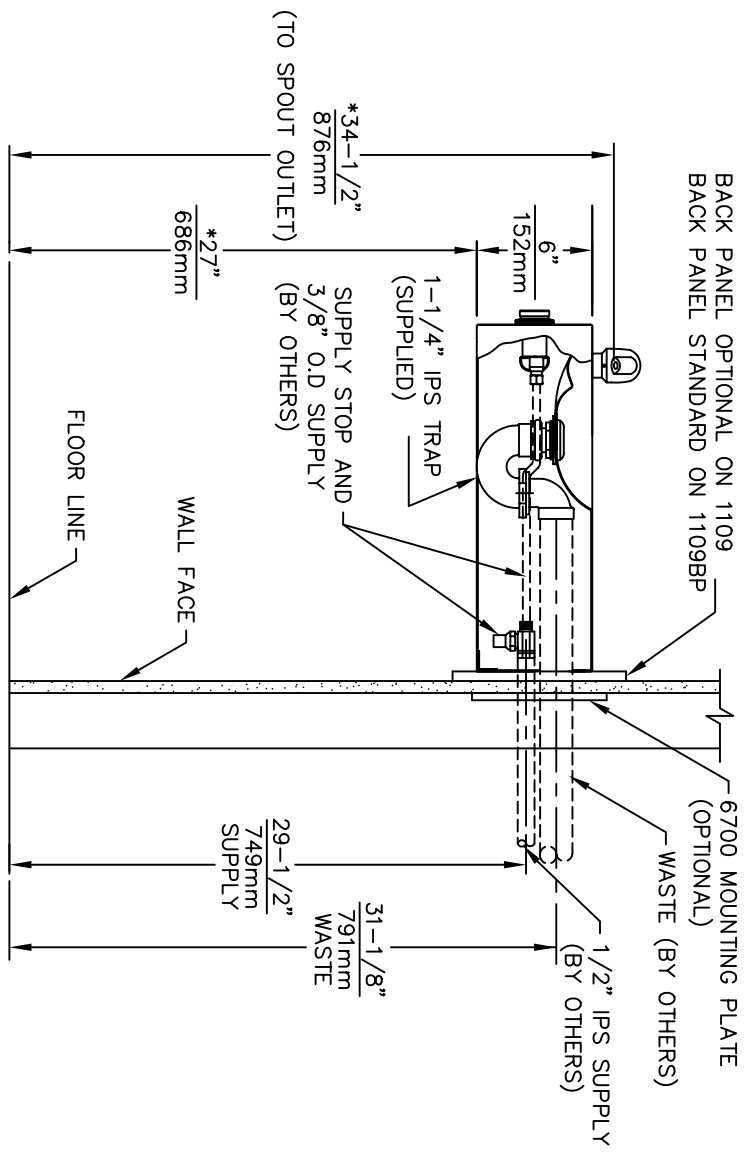
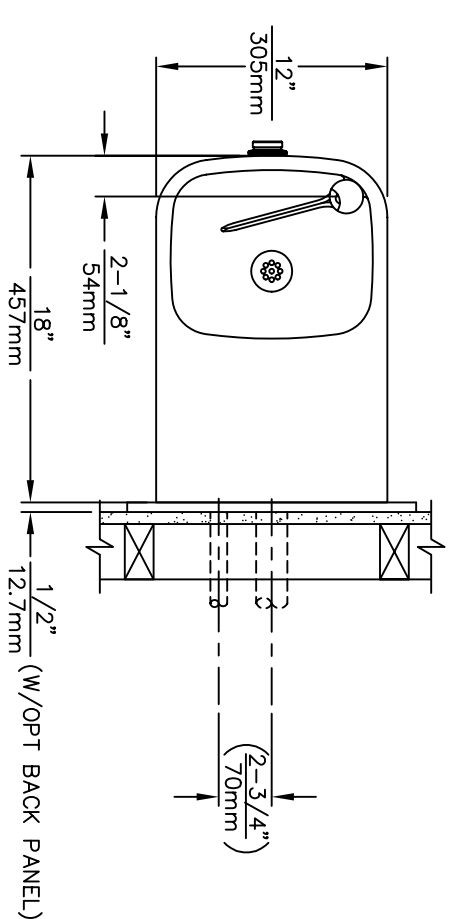


NOTES:

- HOLD ROUGH-IN DIMENSIONS ± 1/4" (6.4mm).
- WHEN INSTALLING THIS UNIT LOCAL, STATE OR FEDERAL CODES SHOULD BE ADHERED TO. FOR INSTALLATION HEIGHTS OTHER THAN SHOWN, DIMENSIONS MARKED (*) MUST BE ADJUSTED ACCORDINGLY.
- REFER TO 5874/VRK5874 OPERATION AND MAINTENANCE MANUAL FOR PUSH BUTTON AND VALVE INSTALLATION/MAINTENANCE INSTRUCTIONS.



Haws Corporation

INFO FAX : 1-888-FAX-HAWS (1-888-329-4297)
 1455 Kiepen L'n, Sparks NY 88431
 Phone: 775-359-4712 Fax: 775-359-7424
 Haws AG Buchweg 3 CH-3401 Burgdorf Switzerland
 Haws Mfg Pte Ltd 74 Sungei Kodut Loop Singapore 729531
 e-mail: Haws@hawsco.com Website: www.hawsco.com

REG. NO.	REGISTRATION DATE	MODEL(S)
DATE	DATE	DATE
03/96	03/96	1109/1109BP
APPROVER	DATE	SCALE
		1:1
INFO FAX DOC # 21109	INSTALLATION/FABRICATION	
00000000	6620 D	
13510A00	15	
SIZE A	SHEET 1 OF 1	