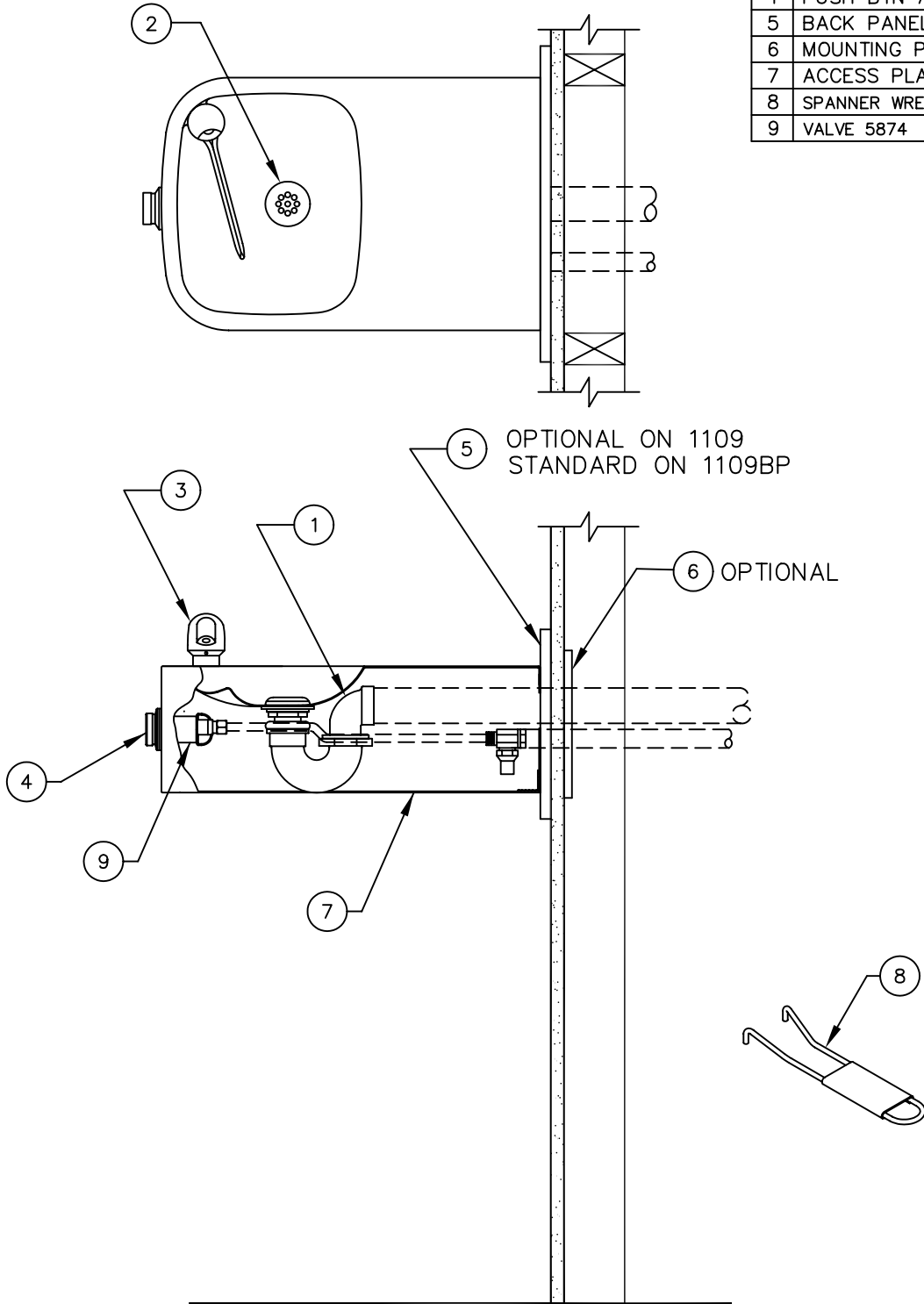



# PARTS BREAKDOWN

| ITEM | DESCRIPTION                   |
|------|-------------------------------|
| 1    | TRAP 0005982900               |
| 2    | STRAINER ASSY 6462            |
| 3    | BUBBLER HEAD 5703M            |
| 4    | PUSH BTN ASS'Y PBA6           |
| 5    | BACK PANEL BP3                |
| 6    | MOUNTING PLATE 6700           |
| 7    | ACCESS PLATE PBM1109          |
| 8    | SPANNER WRENCH P/N 0006983506 |
| 9    | VALVE 5874                    |



|   |  |                |                                    |           |   |         |
|---|--|----------------|------------------------------------|-----------|---|---------|
| <b>WHEN ORDERING PARTS PLEASE SPECIFY YOUR MODEL NUMBER</b> |  |                | 1455 KLEPPE LANE<br>SPARKS, NEVADA |           | BACHWEG 3<br>CH3401 BURGDORF<br>SWITZERLAND |         |
|   | DRAWN BY: F. VASQUEZ   | DATE: 03/17/98 | CHECK BY:                          | APP'D BY: | SCALE: 1/4                                  |         |
|   | TITLE: 1109/1109BP   |                |                                    |           | PART NUMBER: 0002076620                     |         |
|   | DRAWING TYPE: PARTS BREAKDOWN  |                |                                    |           | DRAWING NUMBER: 13375C00                    | REV. 11 |