

Florestone Tub / Shower Features

QUALITY YOU CAN TRUST.

Since 1947, Florestone Products Company has built a reputation based on product quality, ease of installation and reliability. Today we serve contractors, engineers, specifiers, architects and builders with products, service and distribution nationwide. The manufacturing methods, craftsmanship and attention to detail of Florestone Fiberglass Showers are second to none.

WIDE VARIETY OF SIZES AND STYLES.

We offer a wide choice of models, sizes, and styles. Shower and tub/showers with the "tile texture" (with (TB designation) offer an alternative look to the smooth, gel-coated fiberglass surface.

COLORS

Standard: White

OPTIONAL MANUFACTURERS' MATCH COLORS

AMERICAN STANDARD

Bone	Light Mink	Spring
Candlelight	Loganberry	Sterling Silver
Daydream	Rain Forest	Shell
Fawn Beige	Rhapsody Blue	Warm White

ELJER

Classic Grey	Peach Bisque	Twilight Blue
Dusty Rose	Platinum	Verde
Glacier Blue	Ruby	Zinfandel
Island Sea	Sage	
Natural	Sandlewood	

KOHLER

Almond	Innocent Blush	Teal
Biscuit	Jersey Cream	Tender Grey
Chamois	Mexican Sand	Thunder Grey
Country Grey	Merlot	Timberline
Desert Bloom	Seafoam Green	Wild Rose
Ice Grey	Skylight	

For other colors, call for availability and price.



FLORESTONE PRODUCTS CO., INC.

2851 Falcon Drive • Madera, CA 93637

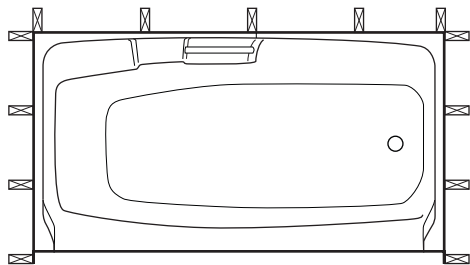
T. 559.661.4171 • T. 800.446.8827

F. 559.661.2070 • florestone.com

***Note on Code Compliance:**

Since local codes and regulations vary, Florestone Products will not be responsible for code compliance. Please check with your local city and county building departments for specific regulations or restrictions before ordering.

Florestone Two & Three-Pieces Fiberglass Shower and Tub / Shower Installation Instructions



FRAMING

Complete two sides of the squared and framed pocket according to dimensional drawings.

CAUTION

Dimensions may vary $\pm \frac{1}{4}$ inch—check unit before installation. Some Florestone units are too large to pass through doorways. Make sure the unit is in the installation area before framing is completed.

ROUGH PLUMBING

Rough plumbing must extend 1" above sub-floor or slab.

Unit should be located to provide access through the walls to make connections. Lay out accurate location of valves.

Working from the unfinished side of the unit, drill $\frac{1}{4}$ " holes. From finished side of unit enlarge holes with a hole saw. For large openings use a saber saw.

For fire rated walls, finished wall board must be in place before unit is installed.



FLORESTONE PRODUCTS CO., INC.

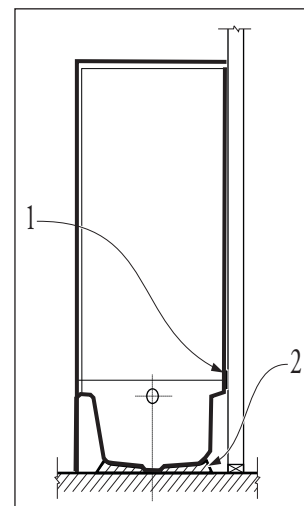
2851 Falcon Drive • Madera, CA 93637

T. 559.661.4171 • T. 800.446.8827

F. 559.661.2070 • florestone.com

TWO & THREE PIECE TUB /SHOWER INSTALLATION INSTRUCTIONS

1. Taper in back of shower wall requires filler strip between back wall and bottom half (see 1 on drawing).
2. Setting all units in mortar or plaster base is recommended (see 2 in drawing).



SETTING 3-WALL TUB/SHOWER UNIT

Remove shipping screws and disassemble unit. Set tub section into position with front apron firmly on the floor. Make sure unit is level and plumb by using a level (3' min.) on front and side faces as well as the top of the dam. Secure tub flanges to studs with either nails or screws. Apply silicon caulking to horizontal shoulder of tub before setting wall sections into position. Set one wall panel into position and secure wall flanges to studs. Apply silicon caulking to vertical shoulder and set second wall panel into position by securing flanges to stud wall. Make sure that all seams are properly caulked.

SETTING 3-WALL SHOWER UNIT

Remove shipping screws and disassemble unit. Set shower floor section into position with front apron firmly on the floor. Make sure unit is level and plumb by using a level (3' min.) on front and side faces as well as the top of the dam. Secure shower floor flanges to studs with either nails or screws. Apply silicon caulking to horizontal shoulder of shower floor before setting wall sections into position. Set one wall panel into position and secure wall flanges to studs. Apply silicon caulking to vertical shoulder and set second wall panel into position by securing flanges to stud wall. Make sure that all seams are properly caulked.

SECURE UNIT

Fasten back and sidewall nailing flanges to each stud with large-head #6 galvanized nails. Use #12 sheet metal screws for installation into steel

FINISH WALLS

Cover nailing flange with sheetrock.

CAULK

Caulk all openings around valves and outlets with a silicone caulking.

CLEANING

Clean up with liquid detergent and warm water.

AVOID USING ABRASIVE CLEANERS.