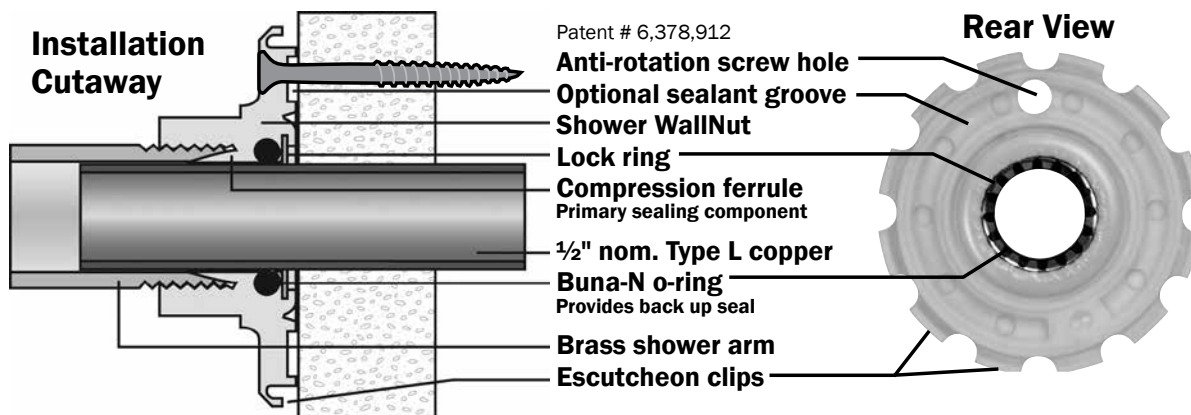


**IMPORTANT: As of 07-24-12, manufacturer's installation instructions have changed.**

**Please read entire instruction sheet thoroughly before installing this product.**

# Shower WallNut™

## Shower Arm Adapter



**Escutcheon finishes available**  
 Chrome • Polished Brass  
 White Enamel • Satin Nickel  
 Oil Rubbed Bronze

24110 South Peculiar Drive  
 Peculiar, Missouri 64078  
 P 1.800.821.3944  
 F 1.800.758.5950



### Shower WallNut™ System Installation Instructions

#### REQUIRED COMPONENTS FOR A WARRANTED INSTALLATION

Sioux Chief's **Shower WallNut System** carries a 25-Year Warranty only when all of the following Sioux Chief components are used and installed per manufacturer's instructions:

1. Sioux Chief copper stub out ell or preformed copper shower riser
3. Shower WallNut Shower Arm Adapter



2. Strong Arm Bracket with WallNut Lock Block



#### Accessories

**Shower Arm Tool**  
 307-625  
 Patent # 6,460,432

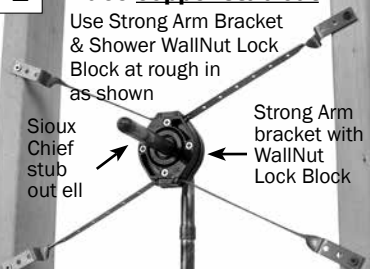


**Removal Tool**  
 307-616



#### 1 Brace copper stub out

Use Strong Arm Bracket & Shower WallNut Lock Block at rough in as shown



#### 2 Sand the stub out surface

After installing finish wall, sand the entire stub out surface back to the finished wall



#### 3 Cut off the stub out

Cut off stub out leaving **exactly 1 1/2"** to finished wall



#### 4 Install Shower WallNut

Push Shower WallNut over stub out and against wall



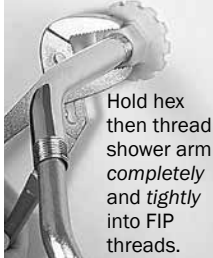
#### 5 Cinch-back (using shower arm tool)

Insert nose & hold tube firmly  
 Swing shower arm tool, levering off pliers



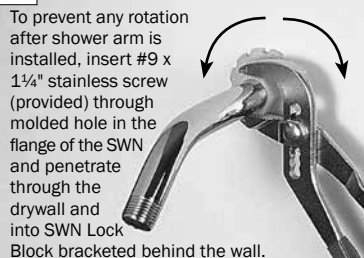
#### 6 Install shower arm

**DO NOT** use thread sealant or Teflon® tape on Shower WallNut end of shower arm. Use brass shower arms only.



#### 7 Straighten shower arm

To prevent any rotation after shower arm is installed, insert #9 x 1 1/4" stainless screw (provided) through the flange of the SWN and penetrate through the drywall and into SWN Lock Block bracketed behind the wall.



#### 8 Install escutcheon

**Firmly** push deep escutcheon onto Shower WallNut until it snaps and locks into place

