

SPECIFICATIONS

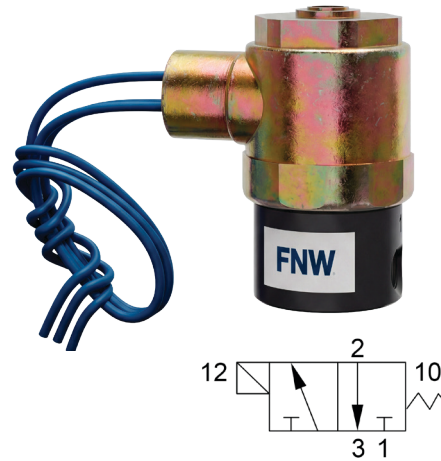
FIGURE 3214 SOLENOID VALVES



DIRECT-ACTING 3/2 SOLENOID

FEATURES

- Compact design
- Normally closed operation
- No minimum operating pressure differential required
- Weather-proof & explosion-proof options
- Available in stainless steel body



PRODUCT SPECIFICATIONS

General	Function	3/2 Valve	Normally Closed
	Construction Design	Plunger	
	Actuation	Electrical	Direct-Acting Solenoid
	Mounting	Inline	
	Connection	Threaded Port	1/4" NPT

Operating Conditions	Temperature	Ambient	-20° – 123°F (-29° – 50°C)
		Media	
	Flow Media	Filtered air	
	Operating Pressure	0 – 150 PSIG (0 – 10.3 bar)	

Electrical Data	Solenoids	Current Flow	Operating Voltage	Power Consumption		
		AC	120 volts, 60 Hz	Weather-Proof	8.7 watts	
				Explosion-proof	7.3 watts	
		DC	24 volts	Weather-Proof	9.5 watts	
	Explosion-proof			9.5 watts		
	Rated for continuous duty					
	Enclosure Rating	Weather-Proof	NEMA 4X, IP65			
Explosion-proof		NEMA 7, IP65				
Electrical Connection	Weather-proof	1/2" Conduit coil with 24" leads				
	Explosion-proof	1/2" Conduit coil with 24" leads				

Construction Material	Valve Body	Aluminum Bar Stock	303 Stainless Steel / Bar Stock
	Solenoid Body	Carbon Steel	Carbon Steel
	Plunger	303 Stainless Steel	303 Stainless Steel
	Seal	Buna-N	Buna-N

SPECIFICATIONS

FIGURE 3214 SOLENOID VALVES



DIRECT-ACTING 3/2 SOLENOID

EXPLOSION-PROOF ENCLOSURE (X) CERTIFICATIONS

FM Approved

- Explosion-proof for Class I, Division 1, Groups A, B, D and D, T4, Ta = 60°C
- Encapsulation/explosion-proof Class I, Zone 1, Zone 1, AEx m II T4, Ta = 60°C
- Dust-ignition-proof for Class II, III, Division 1, Groups E, F and G, T4, Ta = 60°C
- Non-incendive for Class I, Division 2, Groups A, B, C, D, T4, Ta = 60°C
- Suitable for Class II, III, Division 2, Groups E, F, G, T4, Ta = 60°C hazardous (classified) locations

CSA Approved

- Class I, Div. 1, Gr. A, B, C and D; Class II, Gr. E, F and G; Class III
- Class I, Div. 2, Gr. A, B, C, D
- Ex m II T4

FIGURE NUMBER MATRIX

FNW						
SERIES	ENCLOSURE	BASE TYPE	BODY TYPE	OPTIONS	VOLTAGE	
3214	Weather-proof = W NEMA 4X, IP65	L = Inline	C = Normally Closed	— = None SS = 303 Stainless Steel Body	1A = 110/50, 120/60 VAC 2D = 24 VDC	
	Explosion-proof CSA/FM = X NEMA 7, IP65					

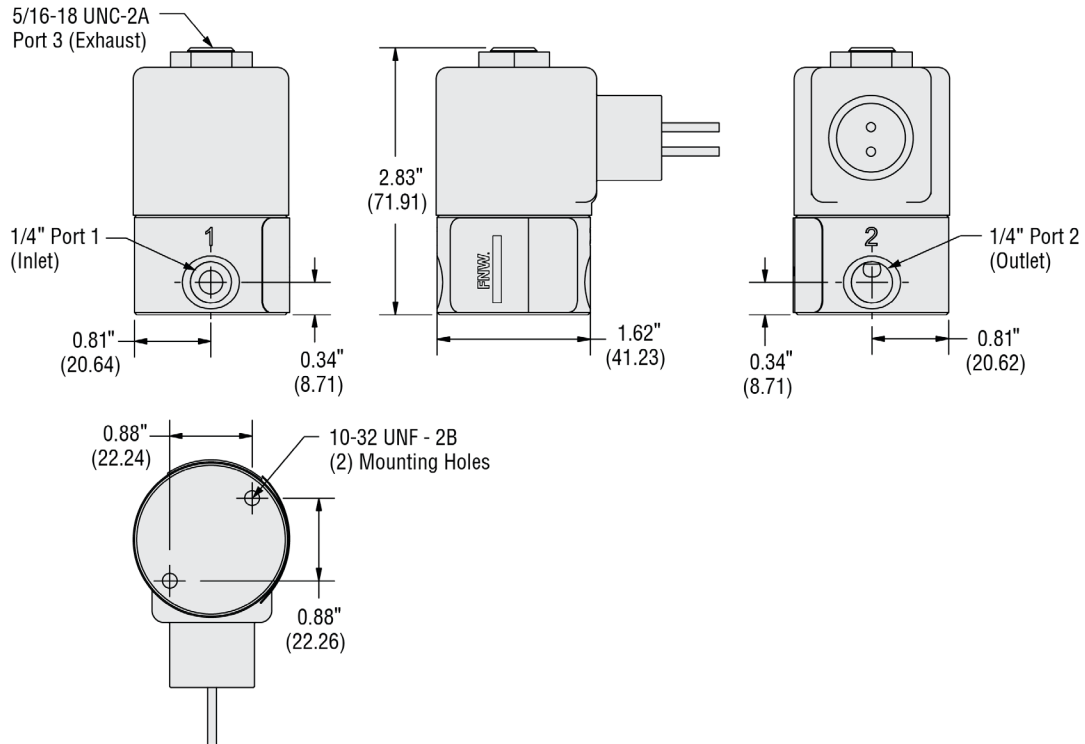
SPECIFICATIONS

FIGURE 3214
SOLENOID VALVES



DIRECT-ACTING 3/2 SOLENOID

FIGURE 3214W



DIMENSIONS, CV & WEIGHT

Size (in.)			Flow	≈ Weight
Port 1	Port 2	Port 3	Cv (NI/min)	lb (kg)
1/4	1/4	5/16-18	0.2 (200)	1.3 (0.57)

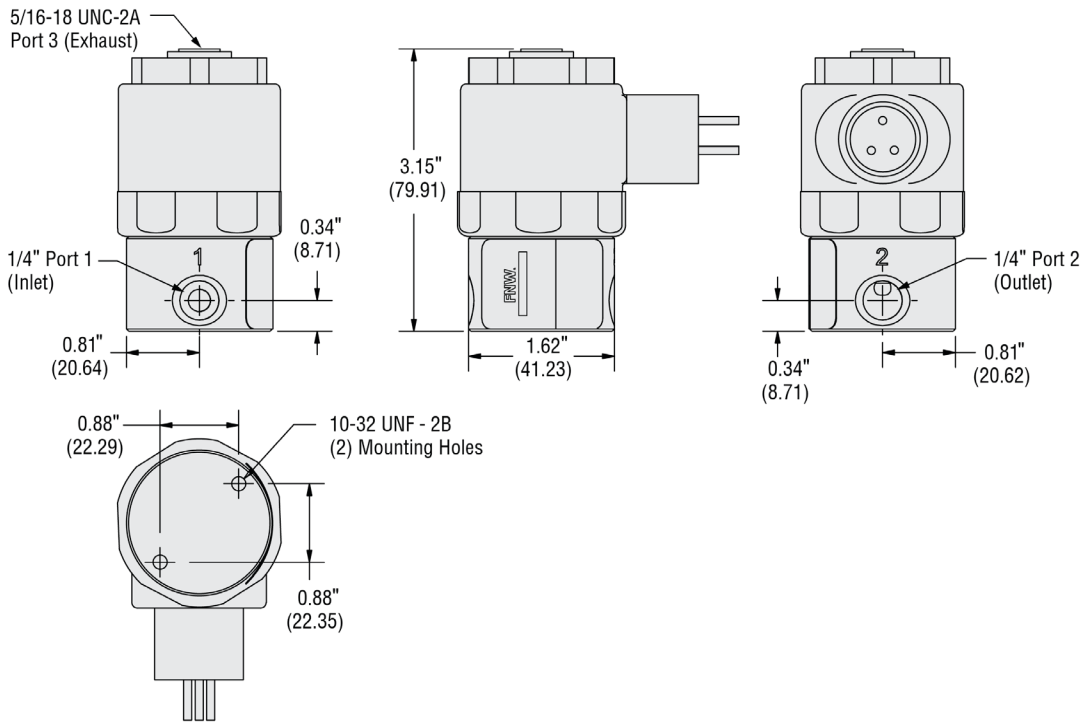
SPECIFICATIONS

FIGURE 3214
SOLENOID VALVES



DIRECT-ACTING 3/2 SOLENOID

FIGURE 3214X



DIMENSIONS, CV & WEIGHT

Size (in.)			Flow	≈ Weight
Port 1	Port 2	Port 3	Cv (NI/min)	lb (kg)
1/4	1/4	5/16-18	0.2 (200)	1.3 (0.57)