

SPECIFICATIONS

FIGURE 4214 - 4238 - 4212

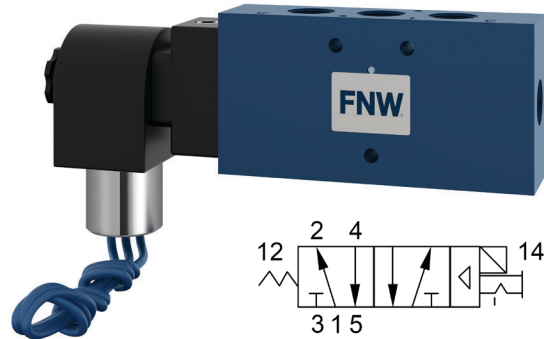
SOLENOID VALVES



PILOT-OPERATED, INLINE, DIRECTIONAL CONTROL VALVES

FEATURES

- Compact design
- Inline construction
- Solenoid pilot uses full air line pressure to shift the valve
- Weather-proof & explosion-proof options
- Push-turn locking manual override



PRODUCT SPECIFICATIONS

General	Function	5/2 Valve		
	Construction Design	Spool		
	Actuation	Electrical	Solenoid Pilot Controlled	
		Pneumatic	Pressure Controlled	
	Mounting	Inline	5/2	
	Connection	Threaded Port	NPT	
Manual Override	Push-Turn Locking			

Operating Conditions	Temperature	Ambient	0° – 123°F (-17.7° – 50°C)
		Media	
	Flow Media	For temperatures below 40°F (4°C), air must be free of water vapor to prevent formation of ice.	
		Filtered air	
Operating Pressure	35 – 150 PSIG (2.4 – 10.3 bar)		
External Pilot Supply Pressure	35 – 150 PSIG (2.4 – 10.3 bar)		

Electrical Data	Solenoids	Current Flow	Operating Voltage	Power Consumption	
		AC	120 volts, 60 Hz	Weather-Proof	4.8 watts
				Explosion-proof	6.5 watts
		DC	24 volts	Weather-Proof	4.8 watts
	Explosion-proof			4.5 watts	
	Rated for continuous duty				
Enclosure Rating	Weather-Proof	NEMA 4X, IP65			
	Explosion-proof	NEMA 7, IP65			
Electrical Connection	Weather-proof	1/2" Conduit coil with 30" leads			
	Explosion-proof	1/2" Conduit coil with 24" leads			

Construction Material	Valve Body	Aluminum Bar Stock
	Solenoid Body	Polyamid 66
	Spool	PTFE Coated Aluminum
	Seal	Buna-N

FIGURE 4214 - 4238 - 4212

SOLENOID VALVES



PILOT-OPERATED, INLINE, DIRECTIONAL CONTROL VALVES

EXPLOSION-PROOF ENCLOSURE (X) CERTIFICATIONS

FM Approved

- Explosion-proof for Class I, Division 1, Groups A, B, D and D, T4, Ta = 60°C
- Encapsulation/explosion-proof Class I, Zone 1, Zone 1, AEx m II T4, Ta = 60°C
- Dust-ignition-proof for Class II, III, Division 1, Groups E, F and G, T4, Ta = 60°C
- Non-incendive for Class I, Division 2, Groups A, B, C, D, T4, Ta = 60°C
- Suitable for Class II, III, Division 2, Groups E, F, G, T4, Ta = 60°C hazardous (classified) locations

CSA Approved

- Class I, Div. 1, Gr. A, B, C and D; Class II, Gr. E, F and G; Class III
- Class I, Div. 2, Gr. A, B, C, D
- Ex m II T4

FIGURE NUMBER MATRIX

FNW						
	SERIES	ENCLOSURE	BASE TYPE	BODY TYPE	MANUAL OVERRIDE	VOLTAGE
SERIES	ENCLOSURE	BASE TYPE	BODY TYPE	MANUAL OVERRIDE	VOLTAGE	
4214 4238 4212	Weather-proof = W NEMA 4X, IP65	L = Inline	1 = Single Coil	M = Push-Turn Locking Override	1A = 110/50, 120/60 VAC 2D = 24 VDC	
	Explosion-proof CSA/FM = X NEMA 7, IP65					

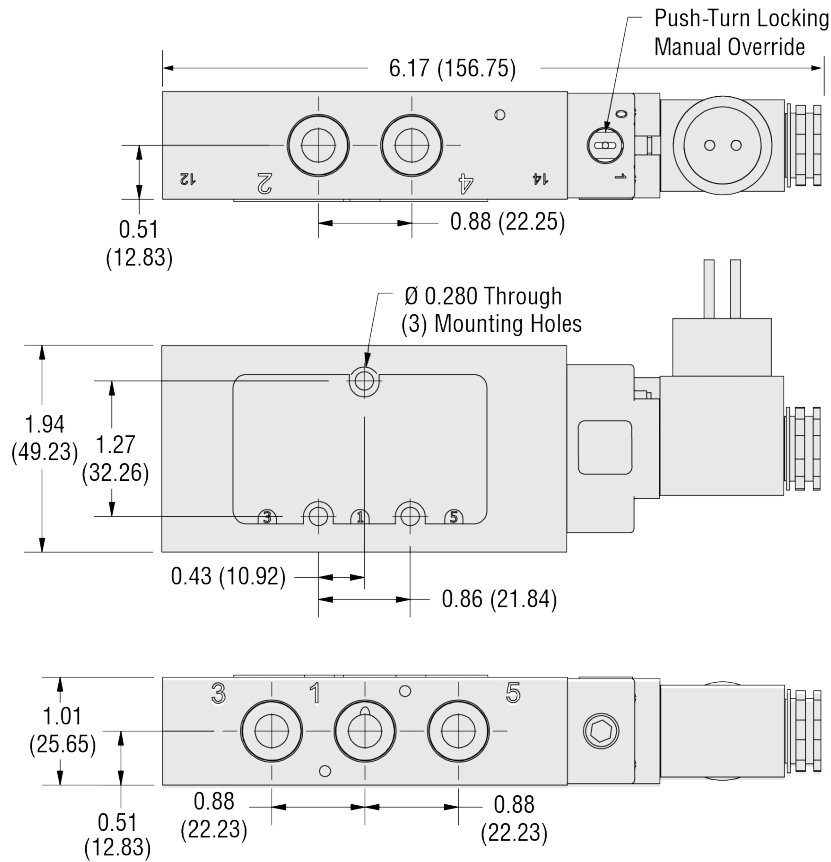
SPECIFICATIONS

FIGURE 4214 - 4238 - 4212
SOLENOID VALVES



PILOT-OPERATED, INLINE, DIRECTIONAL CONTROL VALVES

FIGURE 4214 & 4238



DIMENSIONS, CV & WEIGHT

Series	Size (in.)			Flow	≈ Weight
	Port 1	Port 2, 4	Port 3, 5	Cv (NI/min)	lb (kg)
4214	1/4	1/4	1/4	1.8 (1800)	0.9 (0.5)
4238	3/8	3/8	3/8	1.8 (1800)	0.9 (0.5)

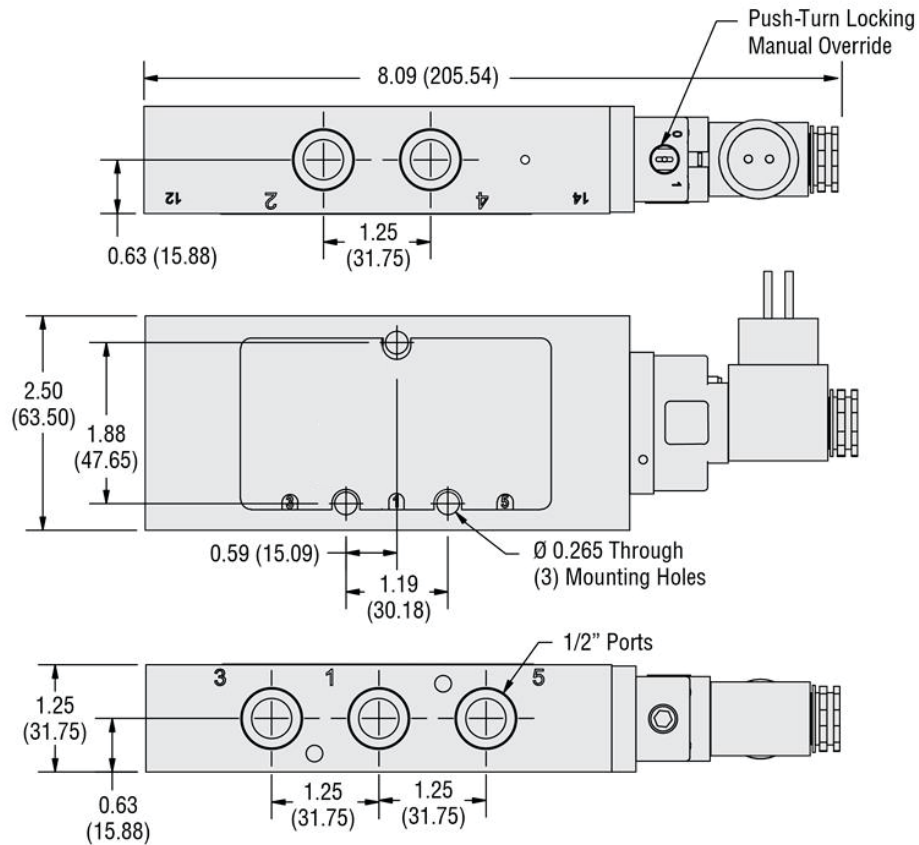
SPECIFICATIONS

FIGURE 4214 - 4238 - 4212
SOLENOID VALVES



PILOT-OPERATED, INLINE, DIRECTIONAL CONTROL VALVES

FIGURE 4212



DIMENSIONS, CV & WEIGHT

Series	Size (in.)			Flow	≈ Weight
	Port 1	Port 2, 4	Port 3, 5	Cv (NI/min)	lb (kg)
4212	1/2	1/2	1/2	3.0 (2952)	1.6 (0.7)