

## SPECIFICATIONS

# FIGURE 5214

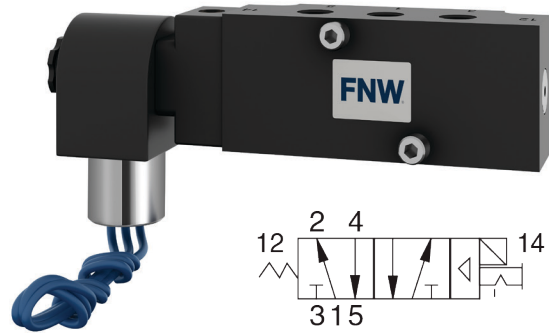
## SOLENOID VALVES



### PILOT-OPERATED, DIRECT NAMUR MOUNT

#### FEATURES

- Compact design
- Direct NAMUR mount
- Convertible from 5/2 to 3/2
- Solenoid pilot uses full air line pressure to shift the valve
- Weather-proof & explosion-proof options
- Push-turn locking manual override



#### PRODUCT SPECIFICATIONS

<b>General</b>	Function	5/2 Valve - Convertible to 3/2	
	Actuation	Electrical	Solenoid Pilot Controlled
	Mounting	Direct Mount; NAMUR Interface (according to the standard VDI/VDE 3845)	
	Connection	Threaded Port	1/4" NPT
	Manual Override	Push-Turn Locking	

<b>Operating Conditions</b>	Temperature	Ambient	0° – 123°F (-17.7° – 50°C)
		Media	
			For temperatures below 40°F (4°C), air must be free of water vapor to prevent formation of ice.
	Flow Media	Filtered air	
	Operating Pressure	35 – 150 PSIG (2.4 – 10.3 bar)	
External Pilot Supply Pressure	35 – 150 PSIG (2.4 – 10.3 bar)		

<b>Electrical Data</b>	Solenoids	Current Flow	Operating Voltage	Power Consumption		
			AC	120 volts, 60 Hz	Weather-Proof	4.8 watts
		Explosion-proof			6.5 watts	
		DC	24 volts	Weather-Proof	4.8 watts	
	Explosion-proof			4.5 watts		
	Rated for continuous duty					
	Enclosure Rating	Weather-Proof	NEMA 4X, IP65			
Explosion-proof		NEMA 7, IP65				
Electrical Connection	Weather-proof	1/2" Conduit coil with 30" leads				
	Explosion-proof	1/2" Conduit coil with 24" leads				

<b>Construction Material</b>	Valve Body	Aluminum Bar Stock
	Solenoid Body	Polyamid 66
	Spool	PTFE Coated Aluminum
	Seal	Buna-N

# SPECIFICATIONS

## FIGURE 5214 SOLENOID VALVES



### PILOT-OPERATED, DIRECT NAMUR MOUNT

#### EXPLOSION-PROOF ENCLOSURE (X) CERTIFICATIONS

##### FM Approved

- Explosion-proof for Class I, Division 1, Groups A, B, D and D, T4, Ta = 60°C
- Encapsulation/explosion-proof Class I, Zone 1, Zone 1, AEx m II T4, Ta = 60°C
- Dust-ignition-proof for Class II, III, Division 1, Groups E, F and G, T4, Ta = 60°C
- Non-incendive for Class I, Division 2, Groups A, B, C, D, T4, Ta = 60°C
- Suitable for Class II, III, Division 2, Groups E, F, G, T4, Ta = 60°C hazardous (classified) locations

##### CSA Approved

- Class I, Div. 1, Gr. A, B, C and D; Class II, Gr. E, F and G; Class III
- Class I, Div. 2, Gr. A, B, C, D
- Ex m II T4

#### FIGURE NUMBER MATRIX

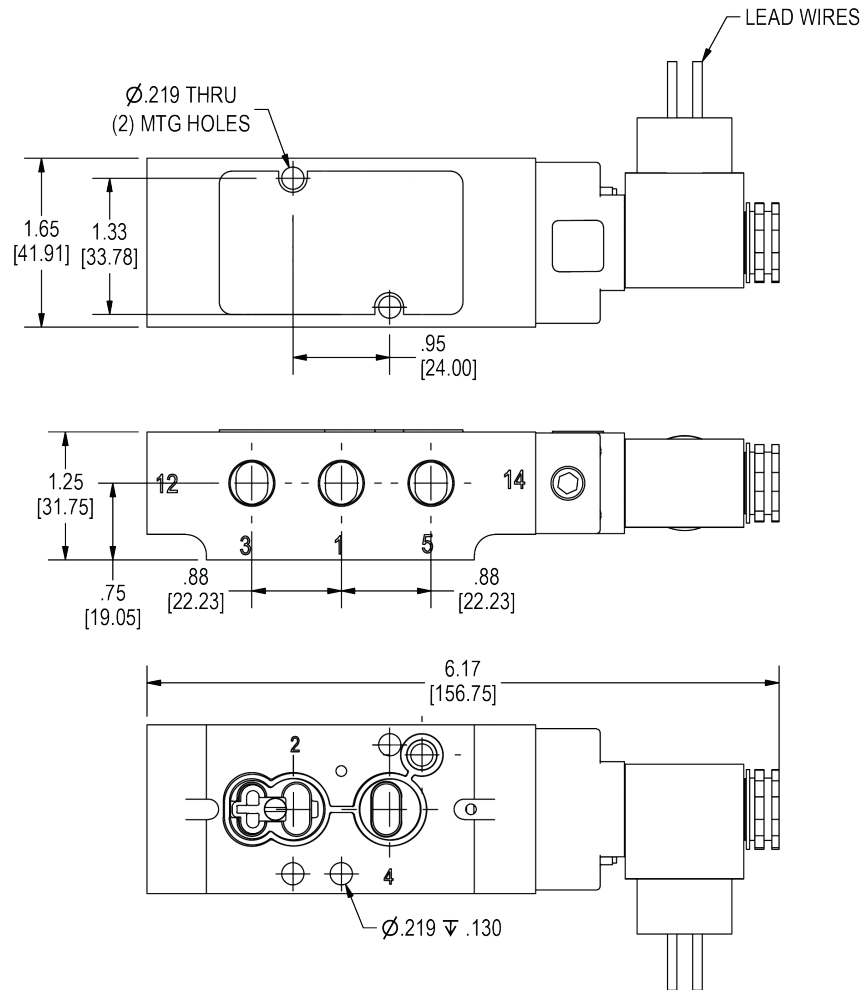
FNW						
SERIES	ENCLOSURE	BASE TYPE	BODY TYPE	MANUAL OVERRIDE	VOLTAGE	
5214	Weather-proof = W NEMA 4X, IP65	N = NAMUR	1 = Single Coil	M = Push-Turn Locking Override	1A = 110/50, 120/60 VAC 2D = 24 VDC	
	Explosion-proof CSA/FM = X NEMA 7, IP65					

SPECIFICATIONS

**FIGURE 5214**  
SOLENOID VALVES



PILOT-OPERATED, DIRECT NAMUR MOUNT



DIMENSIONS, CV & WEIGHT

Solenoid	Size (in.)		Flow	≈ Weight
	Port 1	Port 3, 5	Cv (NI/min)	lb (kg)
Single	1/4	1/4	1.8 (1800)	0.70 (0.32)