



LIMITED WARRANTY: Watts Regulator Company warrants each product against defects in material and workmanship for a period of one year from the date of original shipment. In the event of such defects within the warranty period, the Company will, at its option, replace or recondition the product without charge. This shall constitute the exclusive remedy for breach of warranty, and the Company shall not be responsible for any incidental or consequential damages, including without limitation, damages or other costs resulting from labor charges, delays, vandalism, negligence, fouling caused by foreign material, damage from adverse water conditions, chemicals, or any other circumstances over which the Company has no control. This warranty shall be invalidated by any abuse, misuse, misapplication or improper installation of the product. THE COMPANY MAKES NO OTHER WARRANTIES EXPRESS OR IMPLIED EXCEPT AS PROVIDED IN THIS LIMITED WARRANTY.

Kit includes: Disc assembly (includes Disc and Disc Float) and Bonnet o-ring.

| Description | in. | mm | Ordering Code No. |
|---|-------------|---------|-------------------|
| 188A - 1/2" - 2" designed for irrigation systems | 1/4" - 3/8" | 6 - 10 | 0887170 |
| 288A - 1/4" - 3" designed for potable water systems | 1/2" | 13 | 0887171 |
| N388 - 1/4" and 3/8" designed for fixture use | 3/4" - 1" | 19 - 25 | 0887172 |
| | 1 1/4" | 32 | 0887173 |
| | 1 1/2" | 38 | 0887174 |
| | 2" | 50 | 0887175 |
| | 2 1/2" - 3" | 64 - 76 | 0887176 |

Repair Kits

Suffix
C - polished chrome finish
SC - satin chrome finish

Options:

188A - 1/2" - 2" designed for irrigation systems
288A - 1/4" - 3" designed for potable water systems
N388 - 1/4" and 3/8" designed for fixture use

Available Models:

IS-188A/288A/N388

Series 188A/288A/N388 Anti-Siphon Vacuum Breaker

Installation

1. Install 6" (152mm) above highest point of downstream piping or hose.
2. No downstream shutoff valves are allowed.
3. Device can spill water; install where spillage is not objectionable.
4. Use only with non-continuous pressure (pressurized a maximum of 12 out of 24 hours).



ASSE Standard 1001



Listed by IAPMO



CSA Certified

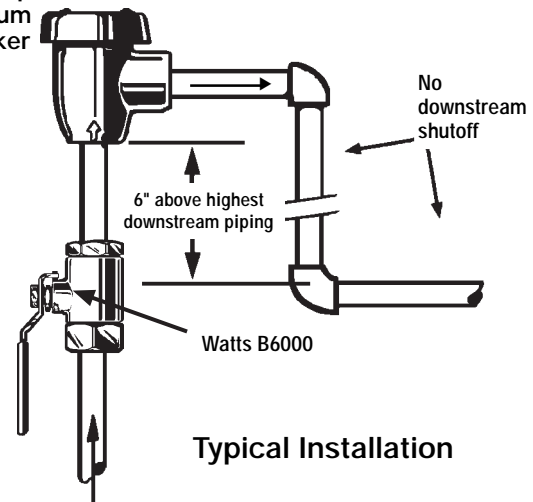
IMPORTANT: Inquire with governing authorities for local installation requirements.

CALIFORNIA PROPOSITION 65 WARNING

WARNING: This product contains chemicals known to the State of California to cause cancer and birth defects or other reproductive harm. (Installer: California law requires that this warning be given to the consumer.)

For more information: www.wattsind.com/prop65

Anti-Siphon Vacuum Breaker

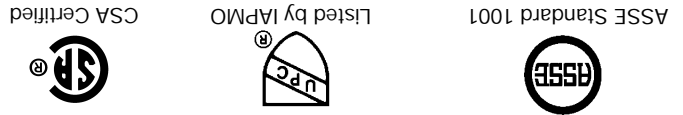
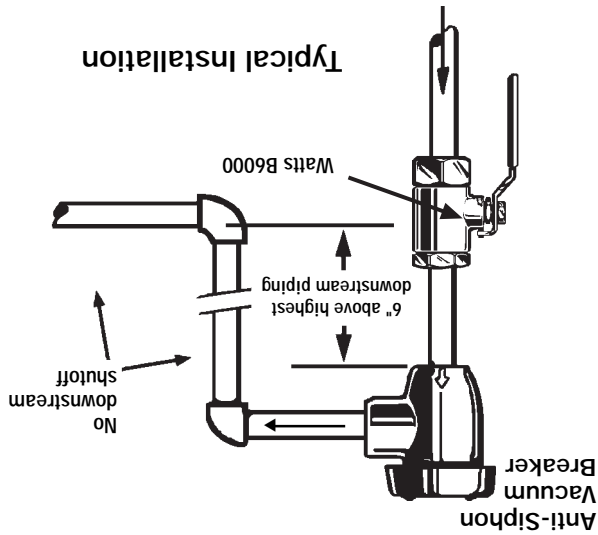


Typical Installation



CALIFORNIA PROPOSITION 65 WARNING
 WARNING: This product contains chemicals known to the State of California to cause cancer and birth defects or other reproductive harm.
 (Installer: California law requires that this warning be given to the consumer.)
 For more information: www.wattsind.com/prop65

IMPORTANT: Inquire with governing authorities for local installation requirements.



1. Install 6" (152mm) above highest point of downstream piping or hose.
2. No downstream shut-off valves are allowed.
3. Device can spill water; install where spillage is not objectionable.
4. Use only with non-continuous pressure (pressurized a maximum of 12 out of 24 hours).

Installation

Series 188A/288A/N388 Anti-Siphon Vacuum Breaker

IS-188A/288A/N388

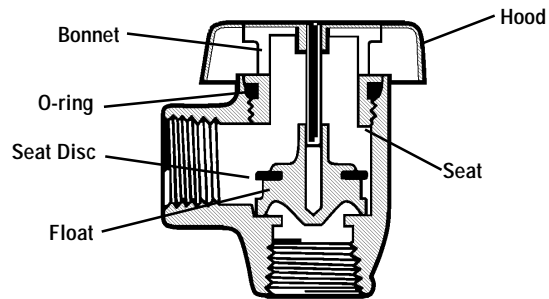
Available Models:

- 188A - 1/2" - 2" designed for irrigation systems
- 288A - 1/4" - 3" designed for potable water systems
- N388 - 1/4" and 3/8" designed for fixture use

Options:

Suffix

- C - polished chrome finish
- SC - satin chrome finish



Repair Kits

| Description | Size | | Ordering Code No. |
|------------------|-----------|---------|-------------------|
| | in. | mm | |
| RK 188-288-388 T | 1/4 - 3/8 | 6 - 10 | 0887170 |
| RK 188-288-388 T | 1/2 | 13 | 0887171 |
| RK 188-288-388 T | 3/4 - 1 | 19 - 25 | 0887172 |
| RK 188-288-388 T | 1 1/4 | 32 | 0887173 |
| RK 188-288-388 T | 1 1/2 | 38 | 0887174 |
| RK 188-288-388 T | 2 | 50 | 0887175 |
| RK 288A T | 2 1/2 - 3 | 64 - 76 | 0887176 |

Kit includes: Disc assembly (includes Disc and Disc Float) and Bonnet o-ring.

Maintenance

1. Remove hood screws and lift off hood.
2. Turn off supply pressure and observe float drop to open air inlet.
3. If this does not occur or valve has been constantly discharging remove bonnet.
4. Replace bonnet (seat) and float.
5. Reassemble (using lubricant sparingly on bonnet o-ring) and restore pressure.
6. Retest using steps 1 and 2.



LIMITED WARRANTY: Watts Regulator Company warrants each product against defects in material and workmanship for a period of one year from the date of original shipment. In the event of such defects within the warranty period, the Company will, at its option, replace or recondition the product without charge. This shall constitute the exclusive remedy for breach of warranty, and the Company shall not be responsible for any incidental or consequential damages, including without limitation, damages or other costs resulting from labor charges, delays, vandalism, negligence, fouling caused by foreign material, damage from adverse water conditions, chemicals, or any other circumstances over which the Company has no control. This warranty shall be invalidated by any abuse, misuse, misapplication or improper installation of the product. **THE COMPANY MAKES NO OTHER WARRANTIES EXPRESS OR IMPLIED EXCEPT AS PROVIDED IN THIS LIMITED WARRANTY.**