

Press Tankless Water Heater Valve Service Kit

Job Name	_____
Location	_____
Engineer	_____
Contractor	_____
Tag	_____ PO# _____

Specifications

- Constructed of forged brass
- Color-coded hot and cold valves
- 1 year limited warranty
- Can handle up to 250 psi of water pressure
- 32°F - 180°F temperature range

May include:

- lead free pressure relief valve

Applications

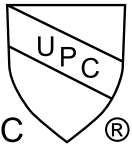
- Potable water

Materials

- Brass

Certifications/Listings/Approvals

- NSF/ANSI/CAN 372 and 61
- NSF/ANSI 14
- IAPMO/ANSI Z1157
- IAPMO approved for cUPC usage (components individually certified)
- Lead law compliant



D05003; D05103



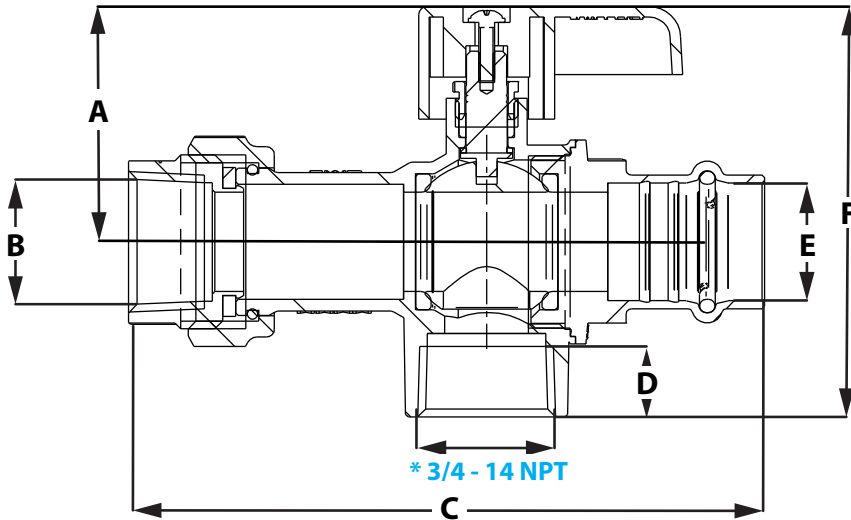
D05016



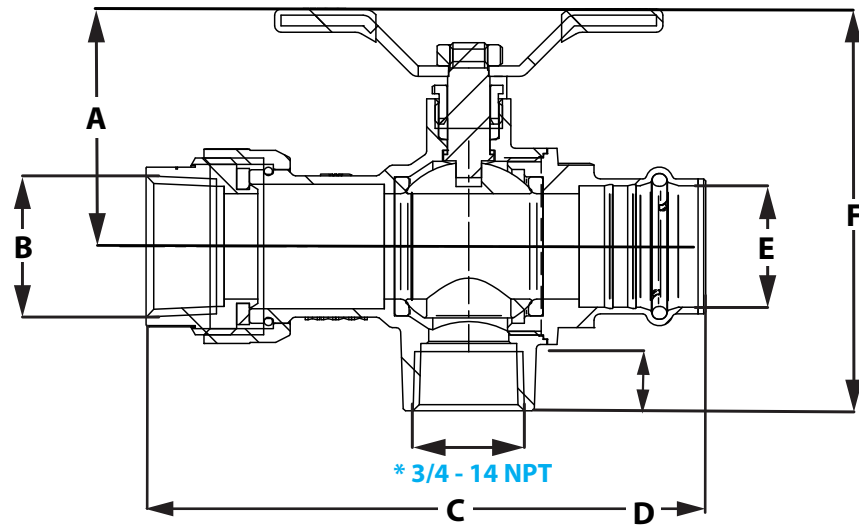
Pressure Relief Valve

Dimensions and Product Offering

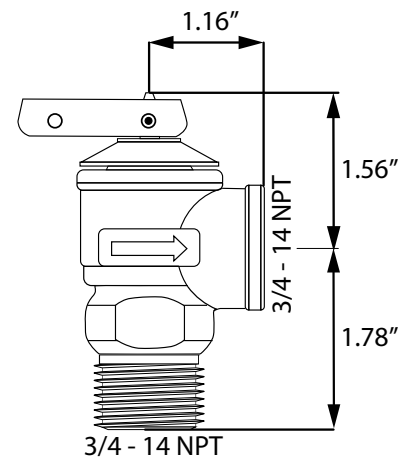
Part Code	Size	Hot & Cold Valves	Pressure Relief Valve	A	B	C	D	E	F
D05003	3/4"	Yes - D05003	--	1.77"	3/4 - 14 NPT	4.79"	.63"	.88"	3.09"
D05103	3/4"	Yes - D05003	Yes - G71405	1.77"	3/4 - 14 NPT	4.79"	.63"	.88"	3.09"
D05016	1"	Yes - D05016A	Yes - G71405	2.22"	1 - 11.5 NPT	5.22"	.63"	1.13"	3.75"



D05003; D05103 3/4" Valves
 * Cold Valve does not have this port



D05016 1" Valve
 * Cold Valve does not have this port



Pressure Relief Valve