

AeroTherm® Series G2

Hybrid Electric Heat Pump Water Heater

Features

- **Best-In-Class Efficiency with up to 4.20 UEF (65-gallon model).**
- **ENERGY STAR® Certified**—Eligible for rebates and tax credits.
- **NEW! ICON System® Exclusive LED Digital Display with Built-in Bradford White Wave™ Connectivity.**
 - **Integrated Connectivity**—Provides remote control over the water heater via Bradford White Wave™ mobile app. Through integrated Wi-Fi, use the app to remotely adjust temperature and mode settings, receive automatic fault alerts, track energy usage, and set daily or weekly schedules to optimize savings.
 - **StartGuard® Technology**—Protects heating elements from "Dry-Fire" upon startup.
 - **Proprietary Interface**—Designed for ease of use. Able to select between English, Spanish and French Canadian languages.
 - **Exclusive LED Digital Display**—Allows contractors to easily diagnose with a simple intuitive keypad. Quick setup wizard. View sequence of operations, system status, and notifications in natural language.
- **Vitraglas® Lining with Microban®**—An exclusively engineered enamel formula that provides superior tank protection from the corrosive effects of water; and with Microban® antimicrobial product protection to help prevent the growth of bacteria, mold and mildew on the surface of the tank lining.
- **Operating Modes Offer Flexibility.**
 - Heat Pump—Maximizes savings, most energy efficient mode.
 - Hybrid Standard—Factory setting combining heat pump efficiency with standard electric recovery rates when needed (upper heating element operation only).
 - Hybrid Plus—Maximizes recovery using both heat pump and lower heating element simultaneously.
 - Electric (Only)—Operates like a standard electric water heater, eliminating airflow and sound (least energy efficient).
 - Vacation—Adjusts the temperature set point down to 50°F (10°C) for extended periods of time.



BRADFORD WHITE
ICON
System

BRADFORD WHITE
wave

VITRAGLAS
SUPERIOR PROTECTION SINCE 1981
+
MICROBAN

Additional Details

- **Quieter Design**—Quieter operation than previous generations, less than 50 dBA.
- **Zero Clearance Requirements on Sides and Rear**—Allows for smaller install footprint. Can be installed along a wall or in a corner.
- **Packaging Can be Laid on its Back for Transportation Flexibility**—Easy-to-open, protective packaging.
- **Easily Accessible Top Mounted Washable Air Filter**—User is automatically alerted when the air filter needs to be cleaned.
- **Operating Air Temperature Range of 37-120°F (3-49°C) for the Heat Pump**—Unit defaults to electric heating elements only outside of this range.



6 or 10-Year Limited Tank Warranties / 6 or 10-Year Limited Warranty on Component Parts.

For more information on warranty, please visit www.bradfordwhite.com

For products installed in USA, Canada, and Puerto Rico. See complete copy of the warranty included with the heater for limitations.

Microban® antimicrobial product protection helps prevent the growth of bacteria, mold and mildew that may affect the product. The built-in antimicrobial properties do not protect users or others from disease-causing organisms. Microban® is a registered trademark of Microban Products Company.

AeroTherm® Series G2

Hybrid Electric Heat Pump Water Heater



Additional Details

- **Backup Immersed Electric Heating Elements**—Transfers heat directly and efficiently to the water. Screw-in style.
- **Insulation System**—Non-CFC foam insulation covers the tank, reducing heat loss, energy consumption, and improves efficiency and jacket rigidity.
- **Factory-Installed Heat Traps**—Incorporates a flexible disk that reduces heat loss in piping and prevents noise.
- **Water Connections**—3/4" (19mm) NPT factory-installed true dielectric fittings extend water heater life and simplify water line connections.
- **Protective Anode Rod**—Provides added protection against corrosion for long-term, trouble-free service.
- **T&P Relief Valve**—Installed.
- **Low Restrictive Brass Drain Valve**—Durable tamper proof design.
- **Meets Requirements for Tier 4 of Advanced Water Heating Specification (AWHS)**—Demand response ready with built-in CTA-2045 port (AC). Compliant with California Title 24 JA13.
- **Duct Ready**—No kit required.

SPECIFICATIONS

Hybrid Electric Heat Pump Models

These water heaters meet or exceed all or portions of (where applicable) the minimum efficiency requirements of ASHRAE Standard 90.1 (latest edition). C.E.C. Listed

Model Number	Nominal Gal. Capacity		DOE Rated Storage Volume (Gal.)	First Hour Rating (Gal.)	Uniform Energy Factor	Recovery at 90°F Rise*				A Floor to Top of Heater in.	B Floor to Top of Duct in.	C Jacket Dia. in.	D Floor to Water Conn. in.	E C/L of Water Connection in.	F Floor to T&P Conn. in.	G Floor to Condensate Conn. in.	H Water Conn. NPT in.	Approx. Shipping Weight lbs.
						U.S. GPH		Imp. GPH										
						Compressor Only	Compressor + Element	Compressor Only	Compressor + Element									
RE2HP5010	50	42	45	65	3.89	6	24	5	20	64 1/8	66 1/4	22	66 3/8	7	40 5/8	48 13/16	3/4	218
RE2HP6510	65	54	65	82	4.20	6	24	5	20	62 9/16	64 1/2	26	64 1/2	7	38 1/2	47 1/4	3/4	280
RE2HP8010	80	67	75	88	4.00	6	24	5	20	69 1/16	71	26	71 1/4	7	45 1/8	53 13/16	3/4	296

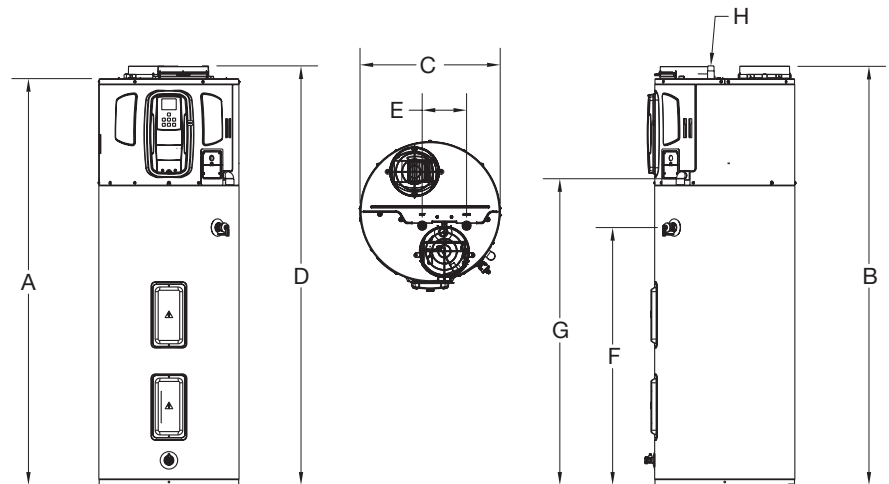
Model Number	Nominal Gal. Capacity		DOE Rated Storage Volume (Liters)	First Hour Rating (Liters)	Uniform Energy Factor	Recovery at 90°F Rise*		A Floor to Top of Heater mm.	B Floor to Top of Duct mm.	C Jacket Dia. mm.	D Floor to Water Conn. mm.	E C/L of Water Connection mm.	F Floor to T&P Conn. mm.	G Floor to Condensate Conn. mm.	H Water Conn. NPT mm.	Approx. Shipping Weight kg.
						Liters/Hour										
						Compressor Only	Compressor + Element									
RE2HP5010	189	170	246	310	3.89	23	91	1629	1683	559	1686	178	1032	1240	19	99
RE2HP6510	246	146	310	310	4.20	23	91	1589	1638	26	1638	178	978	1200	19	127
RE2HP8010	303	284	333	333	4.00	23	91	1754	1803	26	1810	178	1148	1367	19	134

* Based on Hybrid Standard Mode with 67.5°F ambient temperature and 50% relative humidity (RH). For 6 year models, change suffix from "10" to "6"; 6 year models may not qualify for some local rebates. 6 year models qualify for AWHS Tier 1. Uniform Energy Factor and First Hour Rating is based on the latest AHRI directory listings.

GENERAL:

All models are UL listed. These heaters are wired inter-locking (Non-Simultaneous, Single Phase) 240V/208V with 4000W/3000W upper element and 4000W/3000W lower element. All water connections are 3/4" (19mm) NPT. All models certified at 300 PSI test pressure (2068 kPa) and 150 PSI working pressure (1034 kPa.) Dimensions and specifications subject to change without notice in accordance with our policy of continuous product improvement.

Suitable for Water (Potable) Heating. Toxic chemicals, such as those used for boiler treatment, shall NEVER be introduced into this system. This unit may NEVER be connected to any existing heating system or component(s) previously used with a non-potable water heating appliance.



Dimensions and specifications subject to change without notice in accordance with our policy of continuous product improvement.



Sales: 800-523-2931
24/7 Technical Support: 800-334-3393 • Email: TechServ@bradfordwhite.com

Products made by Bradford White are manufactured in America using the finest materials and components from around the world. ©2025, Bradford White Corporation, USA. All rights reserved.



1903-0825