

Engineering Specification

Job Name _____

Contractor _____

Job Location _____

Approval _____

Engineer _____

Contractor's P.O. No. _____

Approval _____

Representative _____

Series 1156F

Feed Water Pressure Regulators

Size: 1/2"

Series 1156F feed water pressure regulators are designed to fill the boiler and system piping with water and to maintain water pressure in the system at all times. These valves also provide make up water to the system in the event of system leaks. Series 1156F features a high capacity performance as well as unique simplified servicing accessibility for complete unitized maintenance.

Features

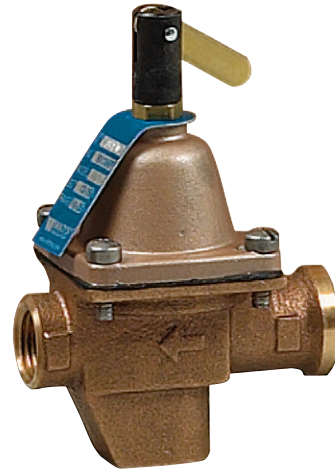
- Choice of inlet connections (threaded, union solder or union threaded)
- Tight seating check valve
- Purge lever for manual purging
- High capacity
- Stainless steel strainer to protect the valve disc from fouling

Specifications

A feed water pressure regulator shall be installed on the boiler or where indicated on the plans to fill boiler piping with water and to provide make up water in the event of system leaks. The regulator shall have high capacity performance and a simplified servicing design. The feed water pressure regulator shall be a Watts Series 1156F.

Models

1156F	Threaded inlet connection
S1156F	Union solder inlet connection
T1156F	Union threaded inlet connection
B1156F	Bronze valve body with threaded inlet connection
TB1156F	Bronze valve body with union threaded inlet connection
SB1156F	Bronze valve body with union solder inlet connection



B1156F

NOTICE

The information contained herein is not intended to replace the full product installation and safety information available or the experience of a trained product installer. You are required to thoroughly read all installation instructions and product safety information before beginning the installation of this product.

NOTICE

Inquire with governing authorities for local installation requirements

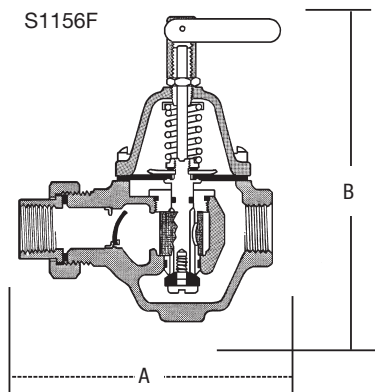
Pressure – Temperature

Maximum Temperature: 212°F (100°C)

Maximum Working Pressure: 100psi (6.9 bar)

Adjustment Range: 10 – 25psi (68.7 – 172.4 kPa) set at 15psi (103.4 kPa)

Dimensions – Weights



MODEL	SIZE		DIMENSIONS						WEIGHT	
	<i>in.</i>	<i>in.</i>	<i>A</i>	<i>mm</i>	<i>B</i>	<i>mm</i>	<i>C</i>	<i>mm</i>	<i>lbs.</i>	<i>kgs.</i>
1156F	½	¾	89	5¾	137	–	–	–	2.1	.95
T1156F	½	1	108	5¾	137	–	–	–	2.2	1
S1156F	½	1 1/8	105	5¾	137	–	–	–	2.3	1
*B1156F	½	¾	89	5¾	137	–	–	–	2.1	1
*SB1156F	½	1 1/8	111	5¾	137	–	–	–	2.2	1
*TB1156F	½	1 1/8	105	5¾	137	–	–	–	2.3	1

* Bronze body



USA: T: (978) 689-6066 • F: (978) 975-8350 • Watts.com

Canada: T: (888) 208-8927 • F: (905) 481-2316 • Watts.ca

Latin America: T: (52) 55-4122-0138 • Watts.com