

## Leap™ | K-34281

One-piece elongated smart toilet with front bidet wand technology, dual-flush

### Features

- Integrated dual-wand bidet toilet seat, with rear and innovative front wand technology
- Stainless steel wands offers adjustable spray shape, position, water pressure, temperature, pulsate, and oscillate functions
- Self-cleaning function uses UV light to automatically clean rear wand surface
- Heated seat with adjustable temperature settings
- Warm-air drying system with adjustable temperature settings
- Automatic deodorization system for odor control
- Sleek, handheld remote control with four programmable user presets
- Emergency flush supports up to 100 flushes during power outage with simple touch-button activation
- Dual-flush offers a choice of 1.0 or 1.28 gpf (3.4 or 4.8 lpf)
- Energy Save feature monitors usage and adjusts heated seat settings to save energy
- Slim, contemporary one-piece smart toilet with integrated personal cleansing
- Elongated bowl offers added room and comfort
- Comfort Height® feature offers chair-height seating that makes sitting down and standing up easier for most adults
- Designed to support easier transfers from wheelchair
- Easy installation system provides a simple solution for skirted toilets
- Includes complete toilet and seat, supply stop valve, braided inlet supply hose, power cord, and remote control
- Quiet-Close™ elongated lid and seat prevents slamming
- Front and rear wash modes provide warm water for cleansing
- Motion-activated, hands-free opening/closing of cover
- Automatic flushing after every use; flush can also be controlled by the remote control or backup button



### Sustainability



### Available Colors/Finishes

*Color tiles intended for reference only.*

0 White



1-800-4KOHLER (1-800-456-4537)

Kohler Co. reserves the right to make revisions without notice to product specifications.

For the most current specification sheet, go to [www.kohler.com](http://www.kohler.com) USA or [www.kohler.ca](http://www.kohler.ca) Canada.

5-12-2026 20:26 - US-CA

## Codes/Standards

ADA, OBC, CSA B651 compliant when installed to the specific requirements of these regulations.  
 Accessibility standards may require controls to be located on the open side of the toilet.  
 Plumbing codes may require elongated toilets and elongated, open-front seats in public bathrooms.



ADA    CSA B651    OBC

ASME A112.4.2/CSA B45.16  
 ASME A112.19.2/CSA B45.1  
 DOE - Energy Policy Act 1992  
 EPA WaterSense®  
 California Energy Commission (CEC)  
 UL 1951  
 CSA C22.2 No. 14  
 CSA C22.2 No. 68  
 ADA  
 ICC/ANSI A117.1  
 CSA B651  
 OBC

## Technical Information

Rough-in:	Standard 12" (305mm)
Flush Type:	Power
Flush Rate:	1.0 or 1.28 gpf (3.3 or 4.8 lpf)
Bowl Shape:	Elongated
Waste Outlet:	Floor
Trapway Size:	2" (51 mm)
Trapway Type:	Skirted
Rim to Water Surface:	5-3/4" (146 mm)

## Required Electrical Service

One dedicated circuit required, protected with Class A Ground-Fault Circuit-Interrupter (GFCI). Outside North America, this device may be known as a Residual Current Device (RCD).

120 V, 15 A, 60 Hz

## Electrical Component Ratings

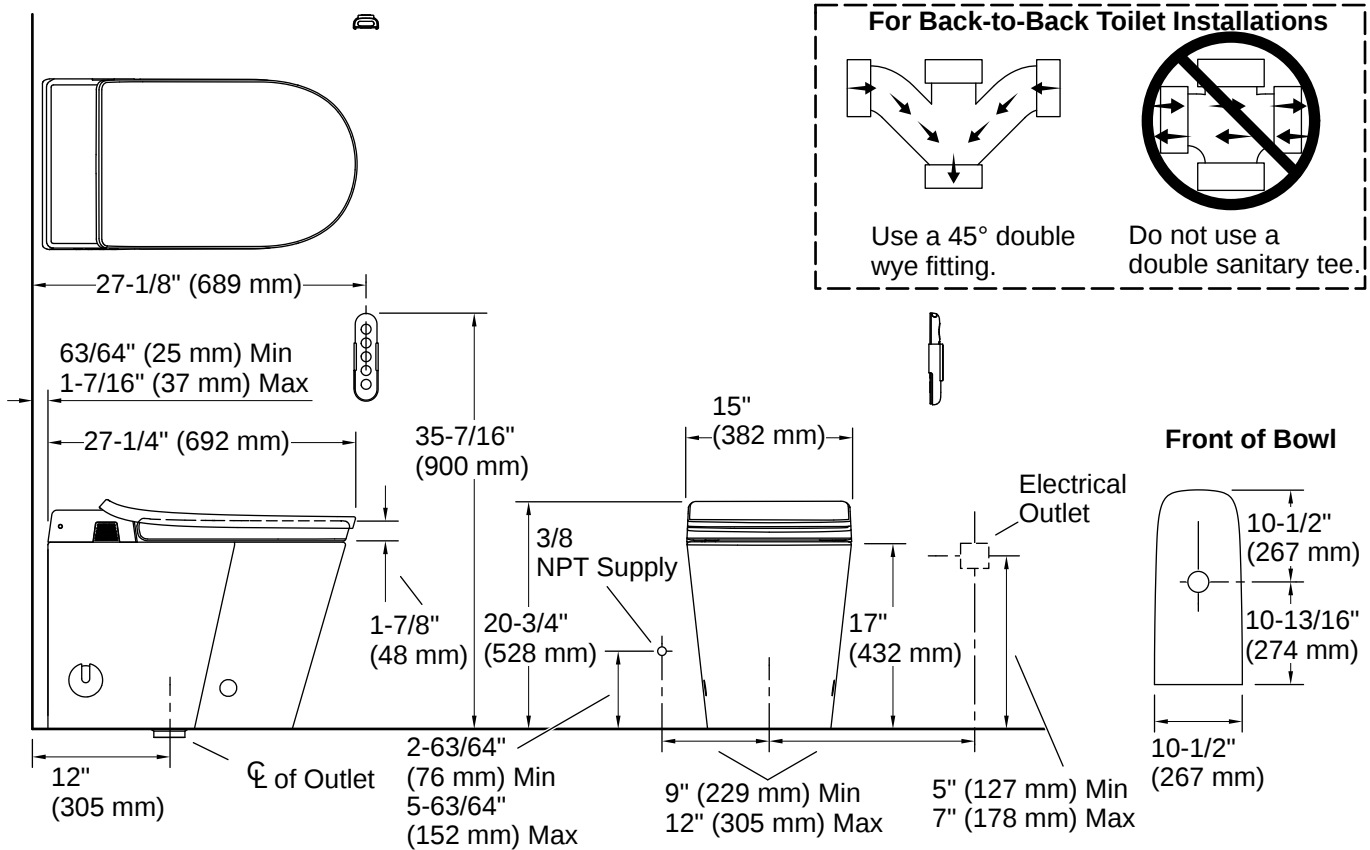
Power Cord Length: 35" (889 mm)

## Warranty

See website for detailed warranty information.

KOHLER® Intelligent Toilet and C3® Cleansing Seat Three-Year Limited Warranty





## Installation

- Standard 12" (305 mm) rough-in
- Requires dedicated electrical GFCI circuit (120 V, 15 A, 60 Hz)
- Requires connection to toilet water supply line

## Installation Notes

*Install this product according to the installation instructions.*

**IMPORTANT!** Use the supply hoses provided with the fixture. Do not reuse the previously installed hoses.

Maximum inlet water temperature shall not exceed 80°F (26.7°C).

ADA, OBC, CSA B651 compliant when installed to the specific requirements of these regulations.

Plumbing codes may require elongated toilets and elongated, open-front seats in public bathrooms.

Accessibility standards may require controls to be located on the open side of the toilet.

