

INCANDESCENT



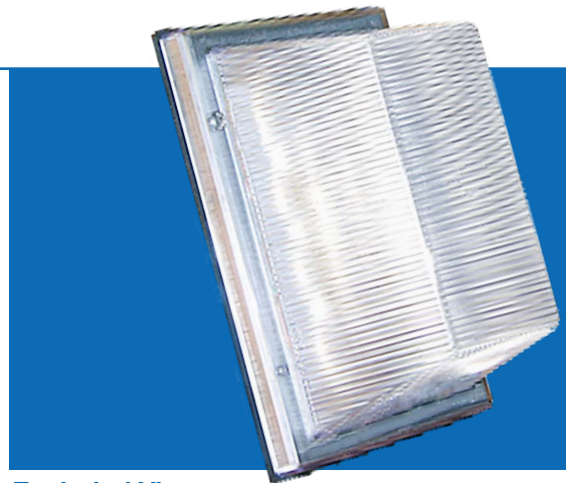
300 Series

Rust Resistant Vandal-Resistant Wall/Ceiling Luminaire
 75 Watts Maximum-Ceiling
 100 Watts Maximum-Wall

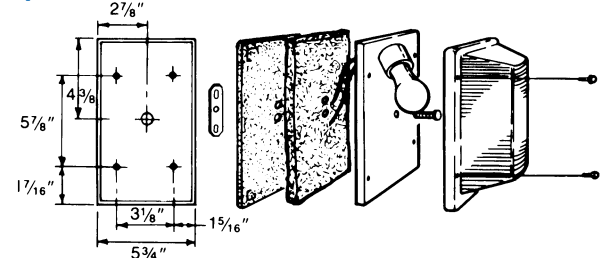
Designed for indoor/outdoor use where efficiency and style must compete with abuse by environmental elements or vandalism. **Rust resistant.** Engineered with materials offering the **highest resistance to rust, corrosion and impact.** The **polycarbonate** housing is nonconductive, assuring more safety to the end user. A wide selection of colors and options adds to the versatility of this fixture. Ideally suited as security lighting for homes, schools, motels, hospitals, condominiums, and industrial, commercial, and government establishments.

Specifications

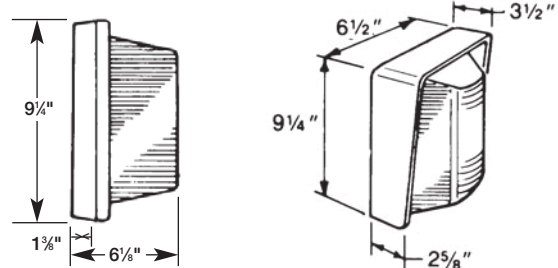
Lens:	Injection molded of UV-stabilized polycarbonate. Average thickness is $\frac{1}{8}$ ". Smooth exterior surface allows ease of cleaning.
Base Plate:	Rust resistant .080" 5052 H-32 tempered marine-grade aluminum.
Housing: (optional):	Injection molded in black, white or bronze UV-stabilized, reinforced polycarbonate . Rear knockout for supply wire. Available with up to four threaded connections and plugs suitable for $\frac{1}{2}$ " conduit.
Thermal Insulation:	One-pound density fiberglass pad controls temperature rise in junction box and surface area.
Gasket:	Closed-cell neoprene rubber in $\frac{1}{8}$ " thickness creates a tight seal against moisture and contaminants.
Socket:	Medium-base ceramic with nickel-plated copper screw shell, rated 250V, 660W, with leads insulated for 105°C.
Lamp:	Uses Type A-19 incandescent lamp. Provided by others.
Mounting:	Ceiling or vertically with lamp base up.
Hardware:	Four stainless-steel 8-32 phillips truss head screws or tamperproof screws attach lens to base plate. Mounting crossbar, threaded nipple, and nut are provided.



Exploded View

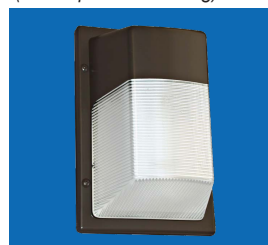


Dimensions



(With Optional Housing)

(With Optional Decor Pack)



Shown With 300-S Lens and Optional Housing



Shown With Optional Decor Pack



**SBA QUALIFIED
 SMALL BUSINESS MANUFACTURER**

TAA COMPLIANT
 TRADE AGREEMENT ACT COMPLIANT

ETL Listed For Wet Locations.

All polycarbonate components meet Underwriters Laboratories 746C tests for polymeric material and carry a flammability rating of 94HB or better on lenses and the superior 94-5V rating on housings.

Luminaire Type _____
 Catalog Number _____
 Job Name _____
 Approval _____

WF Harris Lighting, Inc.™

Innovative Lighting Designs Since 1970

P.O. Box 5023, Monroe, NC 28111-5023, USA
 704.283.7477 (HEADQUARTERS) • 800.842.9345 (TOLL FREE)
 e-mail: customerservice@wfarris.com
 www.wfharrislighting.com

Form 1513 7/19

"A Live Operator Company Standing Ready to Serve Your Lighting Needs"

INCANDESCENT

Ordering Information (Fill In Blanks For Complete Catalog Number)

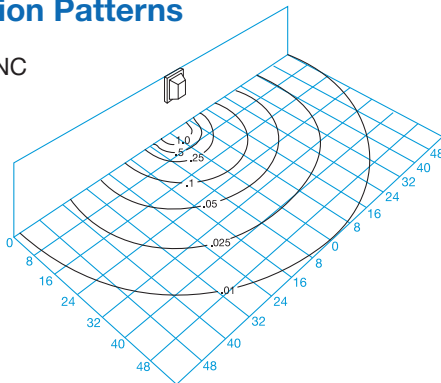
300				
Model	Lens	Lamp	Options	Conduit Connections (Housing Required)
Model	Lens Color	Lamp	Options	Conduit Connections (Housing Required)
300	CP - Clear Prismatic OW - Opal White BY - Buglight Yellow A - Amber G - Green	INC¹ (75W Ceiling Max.) (100W Wall Max.)	PC - Photo Control ² TPS - Tamperproof Screws 3H ___ - 1-1/2" Deep Housing – specify K (Black), W (White) or B (Bronze) ³ D3H ___ - 3" Deep Housing – specify K (Black), W (White) or B (Bronze) ³ DPB ___ - Polycarbonate Vertical Decor Pack – specify K (Black), W (White) or B (Bronze) GCO - Grounded Convenience Outlet ^{2, 4} SW/B - On/Off Switch with Boot ²	CRS - Right Side CLS - Left Side CT - Top CB - Bottom C4 - All Four Sides (Positions Based on Facing Luminaire) ¹ Provided By Others ² Housing Required ³ Specify Conduit Connection(s) ⁴ Interior Use Only

Accessories (Order Separately) 

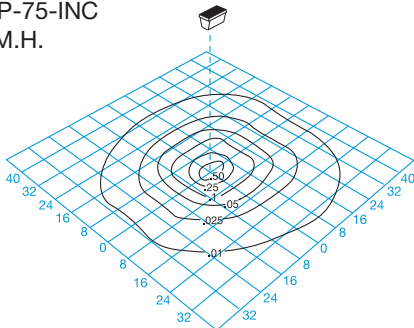
TPT - Tamperproof Screwdriver

Light Distribution Patterns

Model 300-CP-75-INC
Based On 8' M.H.



Model 300-CP-75-INC
Based On 8' M.H.



Conversion Table

Lamp	Lamp Conversion Factor	Mounting Height	Height Conversion Factor
100 INC	1.39	6'	1.77
75 INC	1.00	8'	1.00
60 INC	.65	10'	.64
		12'	.45

Using Conversion Table

TO ADJUST FOOTCANDLES (FC) IN DIAGRAM AT LEFT, USE FOLLOWING FORMULA WITH LAMP CONVERSION FACTOR (LCF) AND HEIGHT CONVERSION FACTOR (HCF):

$$FC \times LCF = FC \text{ with alternate lamp}$$

$$FC \times HCF = FC \text{ at alternate height}$$

$$FC \times LCF \times HCF = FC \text{ with alternate lamp at alternate height}$$



SBA QUALIFIED SMALL BUSINESS MANUFACTURER

TAA COMPLIANT
TRADE AGREEMENT ACT COMPLIANT

LENS AND HOUSING PLATE CARRY A LIFETIME WARRANTY.

Specifications Subject to Change Without Notice

Luminaire is Warranted to be Free of Defects in Materials and Workmanship for One Year From Invoice Date.

© 2019 W. F. Harris Lighting, Inc.

W.F. Harris Lighting, Inc.™

Innovative Lighting Designs Since 1970

P.O. Box 5023, Monroe, NC 28111-5023, USA
 704.283.7477 (HEADQUARTERS) • 800.842.9345 (TOLL FREE)
 e-mail: customerservice@wfharris.com
 www.wfharrislighting.com

Printed in USA

Form 1513

7/19

W. F. Harris Lighting Will Not Sacrifice Quality for the Sake of Price.™