

# Parts Breakdown

ORRS

## PF8800 SHOWER HANDLE TRIM KIT

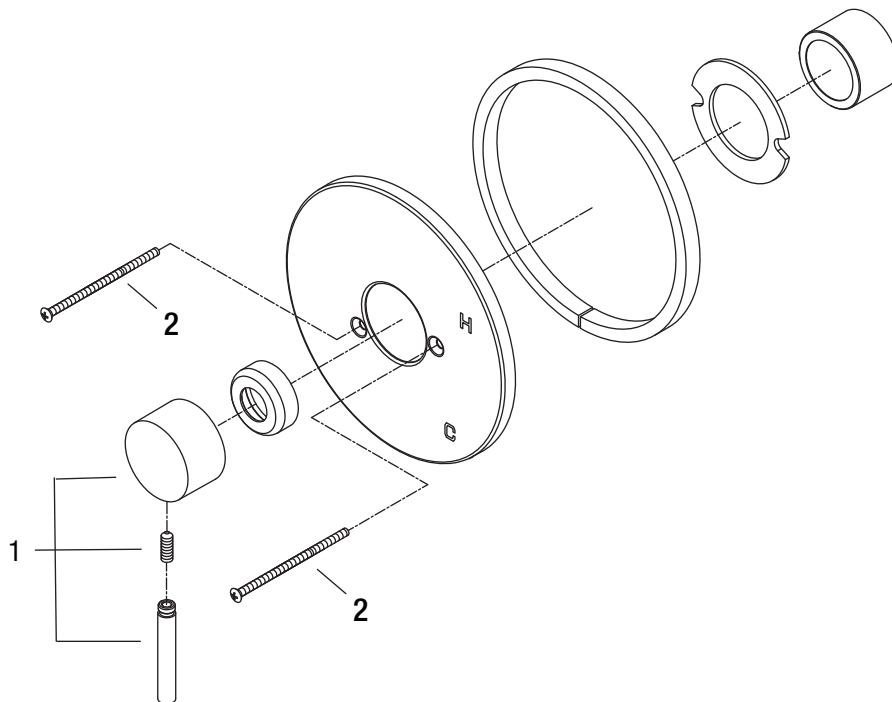


### Parts

No.	Part Name	Part Number	Material
1	Handle	OBPF7654076*	Zinc
2	Escutcheon screw ( set of 2 )	OBPF1654271*	Stainless Steel



PF8800CP



For detailed warranty information, visit [ferguson.com/proflo-faucet-warranty](https://ferguson.com/proflo-faucet-warranty).

\*\* Designate proper finish suffix