

Parts Breakdown

ORRS

PF8830G SINGLE HANDLE TUB AND SHOWER TRIM KIT

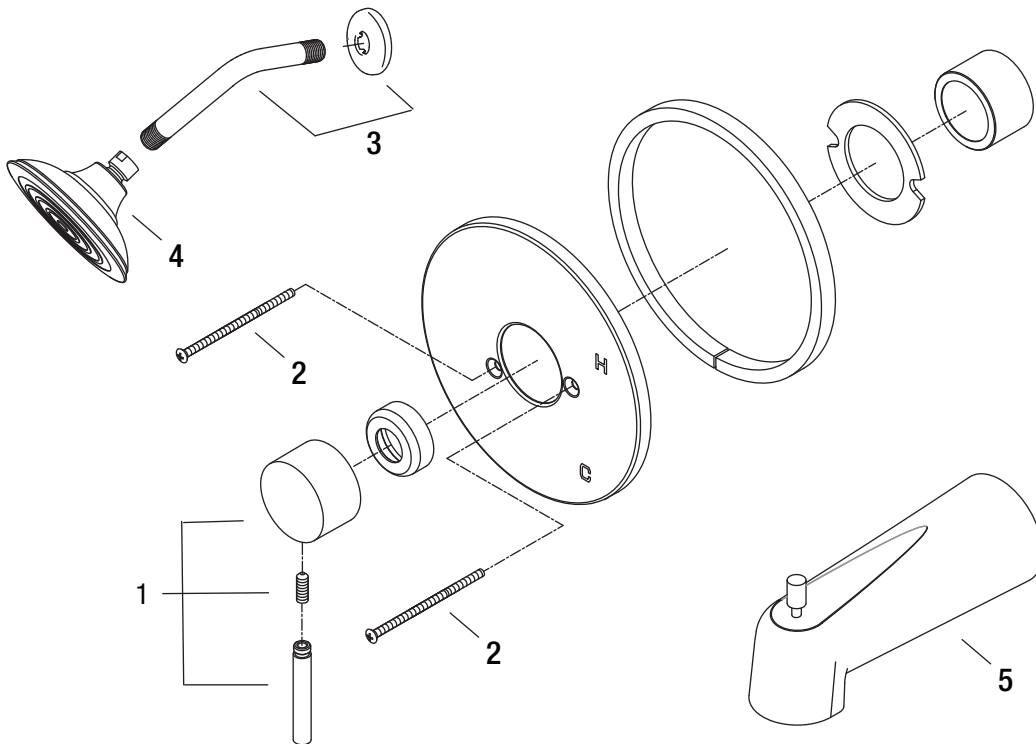


Parts

No.	Part Name	Part Number	Material
1	Handle	OBPF7654076*	Zinc
2	Escutcheon screw (set of 2)	OBPF1654271*	Stainless Steel
3	Shower arm with flange	PFSK46*	Stainless Steel
4	Showerhead	PFSH308G*	Zinc, Plastic
5	Spout	PFTS36*	Zinc



PF8830GCP



For detailed warranty information, visit ferguson.com/proflo-faucet-warranty.

** Designate proper finish suffix