

ORRS

# PFWSC8881 SINGLE HANDLE LAVATORY FAUCET



## Product Features

- Max. flow rate: 1.2 gpm (4.54 L/min) at 60 psi
- Brass construction
- Ceramic disc cartridge
- 50/50 pop-up drain assembly
- Single-hole installation
- With 3/8" compression x 27-9/16" flexible connectors

## Optional Parts

Deck Plate

OBPF1ATBQ0308\*

1.0 GPM Aerator

Neoperl 42.3058.033

Drain Lift Rod Extension

PF351NA

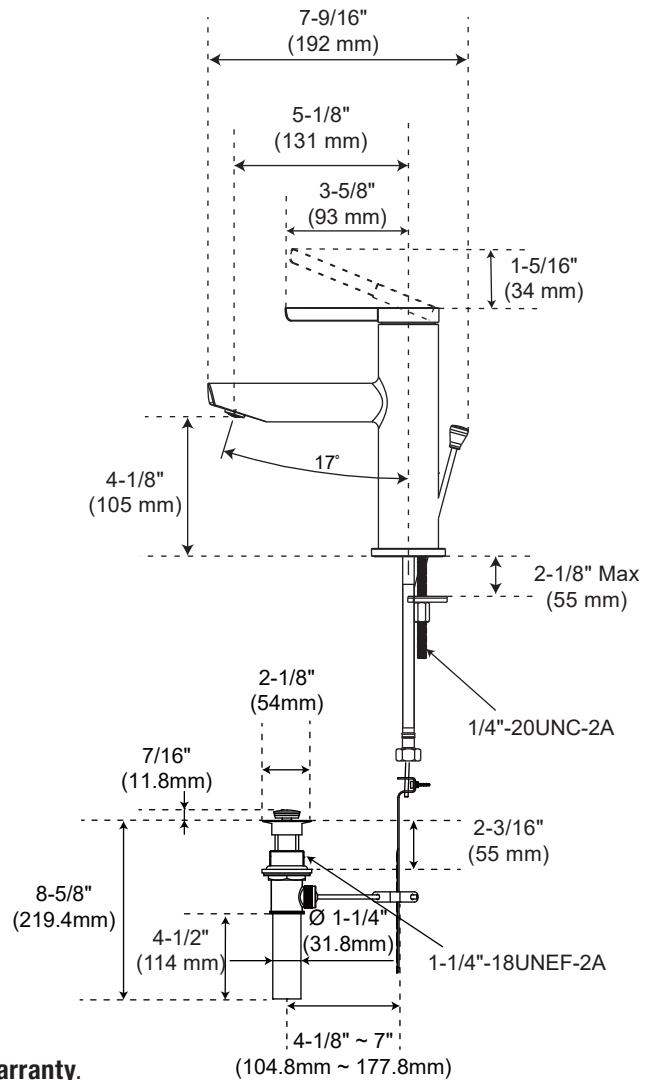
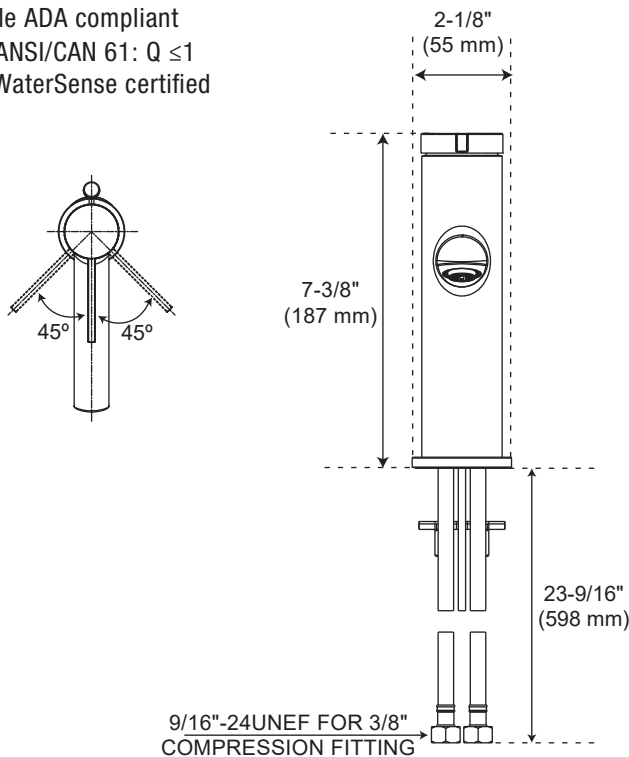


## Codes and Certifications

PFWSC8881



- Certified to ASME A112.18.1 / CSA B125.1
- cUPC/IAPMO listed
- Handle ADA compliant
- NSF/ANSI/CAN 61: Q ≤ 1
- EPA WaterSense certified



For detailed warranty information, visit [ferguson.com/proflo-faucet-warranty](http://ferguson.com/proflo-faucet-warranty).