

KELPER

PFWSC9857 SINGLE HANDLE LAVATORY FAUCET



Product Features

- Max. flow rate: 1.2 gpm (4.54 L/min) at 60 psi
- Metal lever handle
- Ceramic disc cartridge
- Quick install 50/50 pop-up drain assembly
- Nylon inlet hose
- With 3/8" compression x 29-1/2" flexible connectors

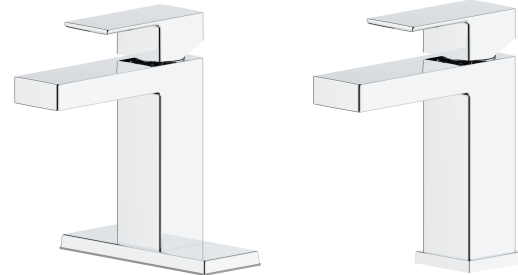
Optional Accessories

- OBPF19850*** Escutcheon assembly
- 1.0GPM Aerator** Neoperl 45.2058.220

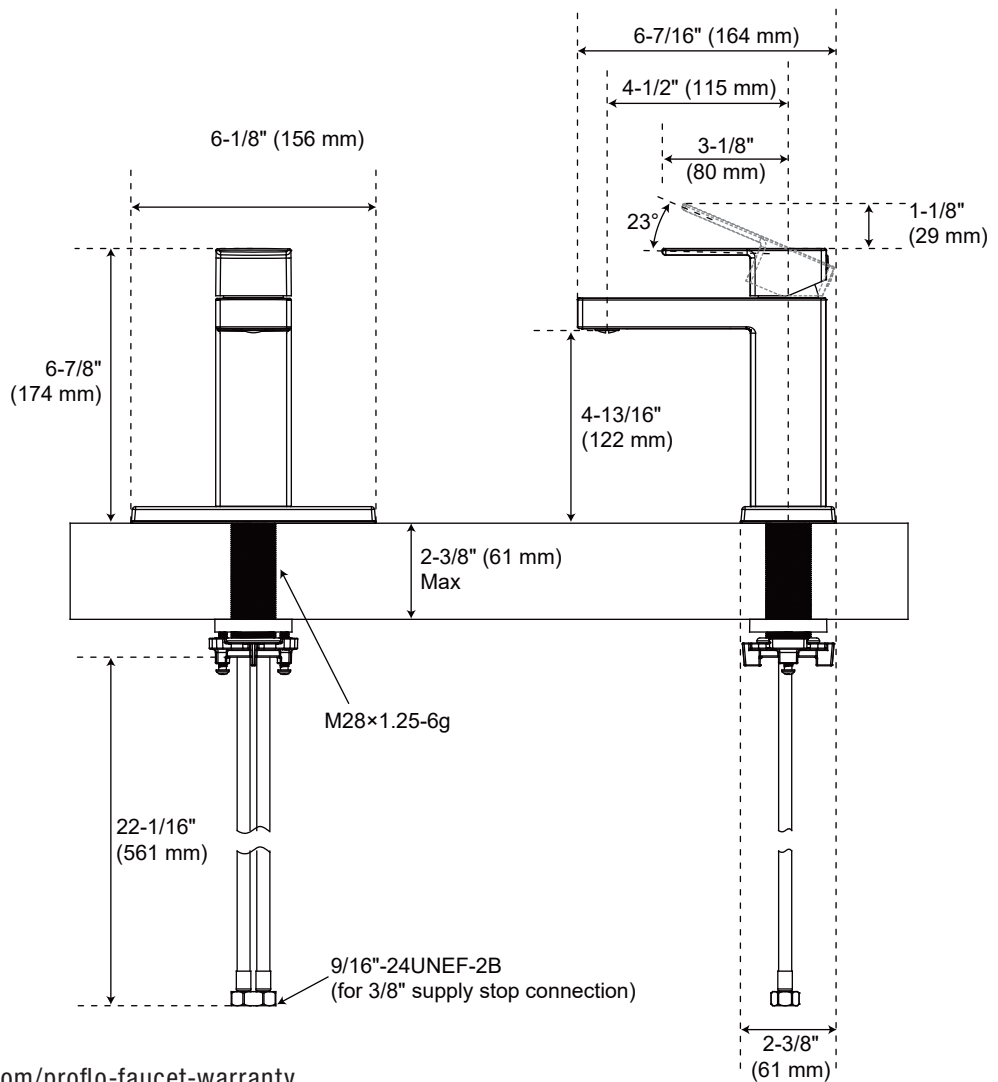
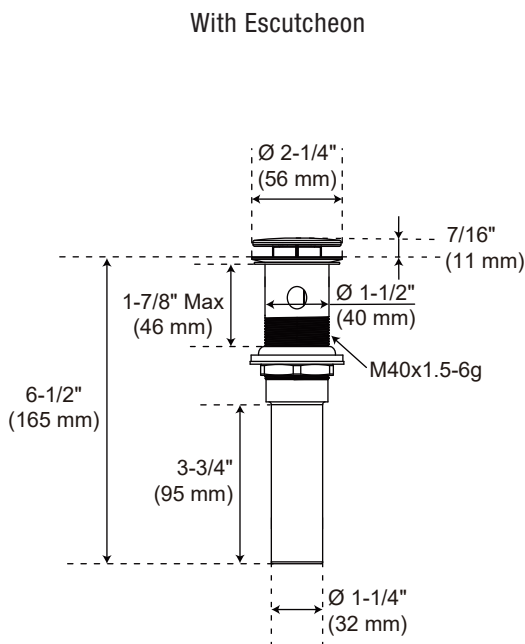
Codes and Certifications



- Certified to ASME A112.18.1 / CSA B125.1
- cUPC/IAPMO listed
- Handle ADA compliant
- NSF/ANSI/CAN61: Q ≤ 1
- EPA WaterSense certified



PFWSC9857



For detailed warranty information, visit ferguson.com/proflo-faucet-warranty.