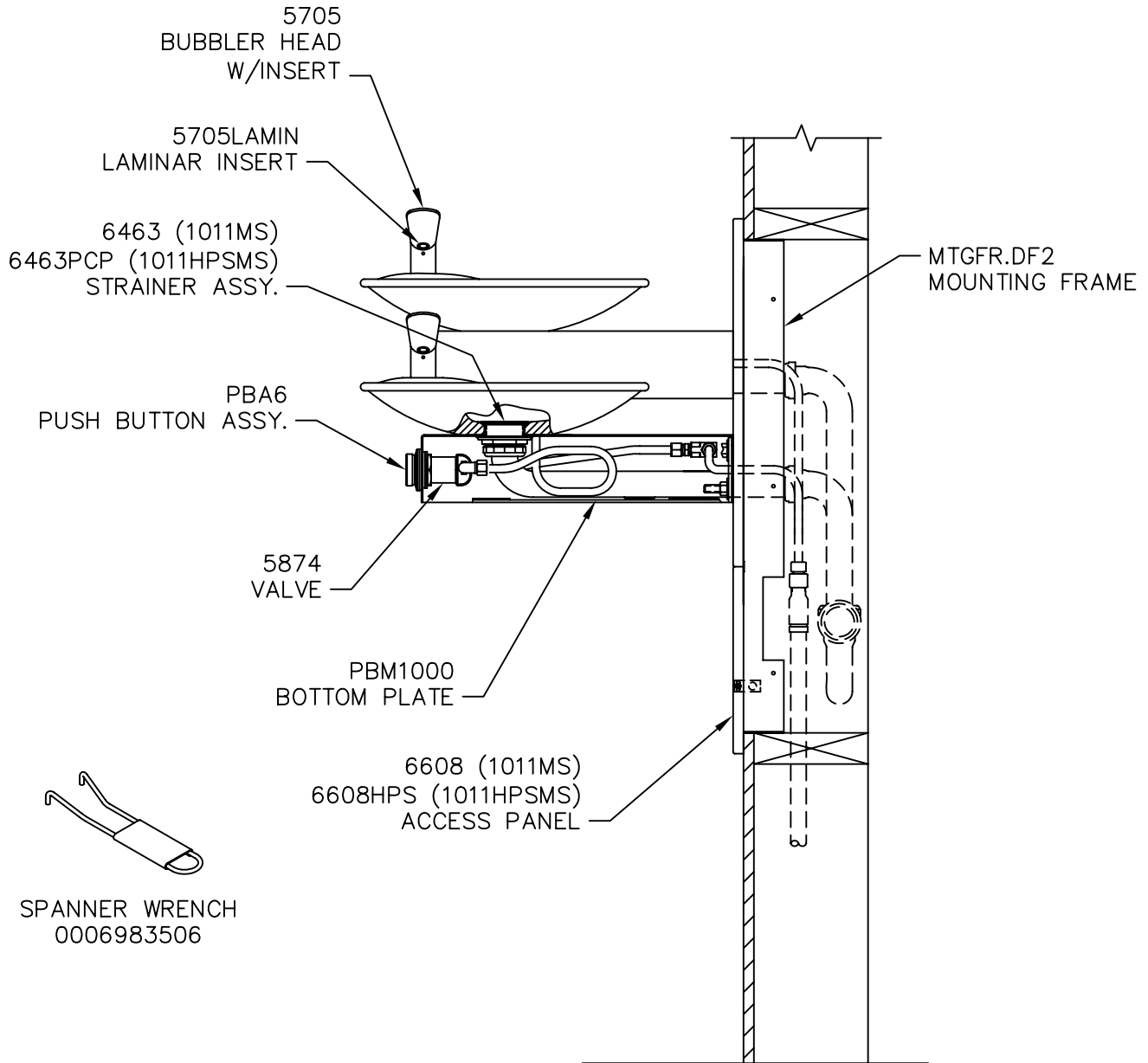


# PARTS BREAKDOWN



REV	DESCRIPTION	ECN	DATE	BY/APVD
6	UPDATED PER	3878	11/30/06	HM
5	UPDATED PER	3848	7/27/06	JF
4	UPDATED PER	3812	11/29/05	JF
3	UPDATED PER	3665	11/8/04	FV
1	UPDATED PER	3274	10/28/02	JF
REVISIONS				

**WHEN ORDERING PARTS PLEASE SPECIFY YOUR MODEL NUMBER**



1455 KLEPPE LANE SPARKS, NEVADA BACHWEG 3 CH3401 BURGDORF SWITZERLAND

DRAWN BY: P MCMULLEN	DATE: 08/02/99	CHECK BY:	APP'D BY:	SCALE: 1/4
TITLE: 1011HPSMS/1011MS			PART NUMBER: 0002076519	
DRAWING TYPE: PARTS BREAKDOWN			DRAWING NUMBER: 14220C00	REV: 6