

Pipe Supports, Guides, Shields & Saddles

Insulation Protection Shields (TOLCO Fig. 219 & Fig. 220)

Selection Tables for:

- B3151** Insulation Protection Shield (Page 162)
- B3153** Insulation Protection Shield with 'Loc' Tabs (Page 162)
- B3154** Short Insulation Protection Shield (Page 163)
- B3155** Short Insulation Protection Shield with 'Loc' Tabs (Page 163)

Shield Size Selection Table

Supports, Guides,
Shields & Saddles

Nominal Pipe or Tubing Size		Insulation Thickness							
		1/2" (12.7mm)	3/4" (19.0mm)	1" (25.4mm)	1 1/2" (38.1mm)	2" (50.8mm)	2 1/2" (63.5mm)	3" (76.2mm)	4" (101.6mm)
1/2"	(15)	1X	2X	3X	5X	7X	--	--	--
3/4"	(20)	2X	3X	3X	5X	7X	--	--	--
1"	(25)	2X	3X	4X	6X	8X	--	--	--
1 1/4"	(32)	3X	4X	4X	7X	8X	--	--	--
1 1/2"	(40)	3X	4X	5X	7X	9X	--	--	--
2"	(50)	4X	5X	6X	8X	9X	10X*	11X*	--
2 1/2"	(65)	5X	6X	7X	9X	10X*	11X*	11X*	13Y*
3"	(80)	6X	7X	8X	9X	10X*	11X*	12Y*	14Z
3 1/2"	(90)	7X	8X	9X	10X*	11X*	12Y*	13Y*	15Z
4"	(100)	8X	9X	9X	10X*	11X*	12Y*	13Y*	15Z
5"	(125)	--	--	10Y*	11Y*	12Y*	13Y*	14Z	16Z
6"	(150)	--	--	11Y*	12Y*	13Y*	14Z	15Z	17Z
8"	(200)	--	--	13Y*	14Z	15Z	16Z	17Z	19Z
10"	(250)	--	--	15Z	16Z	17Z	18Z	19Z	21Z
12"	(300)	--	--	17Z	18Z	19Z	20Z	21Z	23Z
14"	(350)	--	--	18Z	19Z	20Z	21Z	22Z	24Z
16"	(400)	--	--	20Z	21Z	22Z	23Z	24Z	26Z
18"	(450)	--	--	22Z	23Z	24Z	25Z	26Z	28Z
20"	(500)	--	--	24Z	25Z	26Z	27Z	28Z	30Z
24"	(600)	--	--	28Z	29Z	30Z	31Z	32Z	33Z

*When selecting B3154 or B3155, replace 'X' or 'Y' designation with 'Z'.

Pipe Hanger Size Selection Table

Nominal Pipe or Tubing Size		Insulation Thickness							
		1/2" (12.7mm)	3/4" (19.0mm)	1" (25.4mm)	1 1/2" (38.1mm)	2" (50.8mm)	2 1/2" (63.5mm)	3" (76.2mm)	4" (101.6mm)
1/2"	(15)	1 1/2	2	2 1/2	3 1/2	5	--	--	--
3/4"	(20)	2	2 1/2	2 1/2	3 1/2	5	--	--	--
1"	(25)	2	2 1/2	3	4	5	--	--	--
1 1/4"	(32)	2 1/2	3	3	5	5	--	--	--
1 1/2"	(40)	2 1/2	3	3 1/2	5	6	--	--	--
2"	(50)	3	3 1/2	4	5	6	8	8	--
2 1/2"	(65)	3 1/2	4	5	6	8	8	10	10
3"	(80)	4	5	5	6	8	8	10	12
3 1/2"	(90)	5	5	6	8	8	10	10	12
4"	(100)	5	6	6	8	8	10	10	12
5"	(125)	--	--	8	8	10	10	12	14
6"	(150)	--	--	8	10	10	12	12	16
8"	(200)	--	--	10	12	12	14	16	18
10"	(250)	--	--	12	14	16	16	18	20
12"	(300)	--	--	14	16	18	18	20	22
14"	(350)	--	--	16	18	18	20	20	22
16"	(400)	--	--	18	20	20	22	22	24
18"	(450)	--	--	20	22	22	24	24	26
20"	(500)	--	--	22	24	24	26	26	28
24"	(600)	--	--	26	28	28	30	30	32

All dimensions in charts and on drawings are in inches. Dimensions shown in parentheses are in millimeters unless otherwise specified.

Pipe Supports, Guides, Shields & Saddles

B3151 - Insulation Protection Shield (TOLCO Fig. 220)

B3153 - Insulation Protection Shield with "Loc" Tabs (TOLCO Fig. 219)

Material: Steel (Stainless steel available)

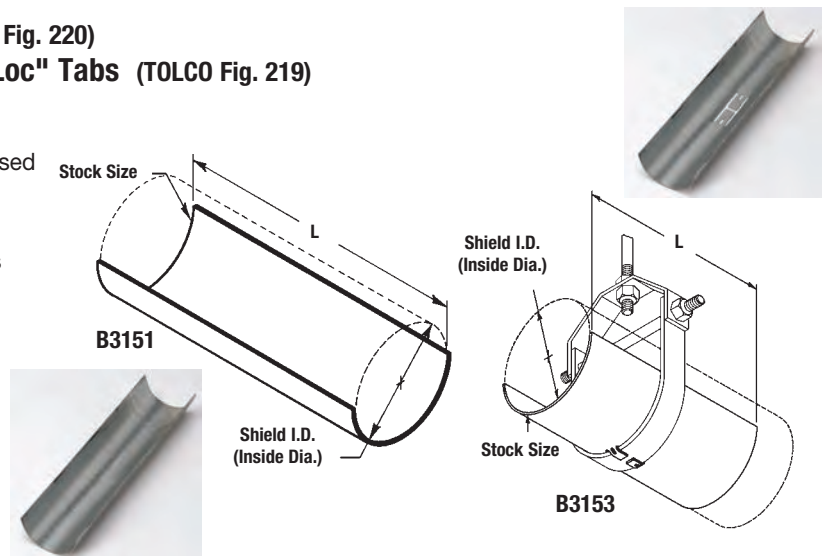
Function: Designed to protect pipe insulation when used with hangers.

Approvals: Complies with Federal Specification WW-H-171E & A-A-1192A Type 41 and Manufacturers Standardization Society ANSI/MSS SP-69 & SP-58 Type 40.

Finish: Pre-Galvanized

Order By: Part number and finish.

Note: See Selection Tables on page 161 for proper sizing.



B3153 same dimension as B3151, but with bottom tabs for centering and securing the shield to hanger.

Part No.	Part No.	Stock Size		L		Shield 'I.D.'		Approx. Wt./100		Pipe Hanger Size	
		in.	(mm)	in.	(mm)	in.	(mm)	Lbs.	(kg)	in.	(mm)
B3151-1X	B3153-1X	18 Ga.	(1.2)	12"	(304.8)	1.90	(48.2)	50	(22.7)	1 1/2"	(40)
B3151-2X	B3153-2X	18 Ga.	(1.2)	12"	(304.8)	2.38	(60.4)	62	(28.1)	2"	(50)
B3151-3X	B3153-3X	18 Ga.	(1.2)	12"	(304.8)	2.88	(73.1)	75	(34.0)	2 1/2"	(65)
B3151-4X	B3153-4X	18 Ga.	(1.2)	12"	(304.8)	3.50	(88.9)	92	(41.7)	3"	(80)
B3151-5X	B3153-5X	18 Ga.	(1.2)	12"	(304.8)	4.00	(101.6)	104	(47.2)	3 1/2"	(90)
B3151-6X	B3153-6X	18 Ga.	(1.2)	12"	(304.8)	4.50	(114.3)	118	(53.5)	4"	(100)
B3151-7X	B3153-7X	18 Ga.	(1.2)	12"	(304.8)	5.00	(127.0)	129	(58.5)	5"	(125)
B3151-8X	B3153-8X	18 Ga.	(1.2)	12"	(304.8)	5.56	(141.2)	147	(66.7)	5"	(125)
B3151-9X	B3153-9X	16 Ga.	(1.5)	12"	(304.8)	6.64	(168.6)	219	(99.3)	6"	(150)
B3151-10X	B3153-10X	16 Ga.	(1.5)	12"	(304.8)	7.64	(194.0)	253	(114.7)	8"	(200)
B3151-11X	B3153-11X	16 Ga.	(1.5)	12"	(304.8)	8.64	(219.4)	286	(129.7)	8"	(200)
B3151-10Y	--	16 Ga.	(1.5)	18"	(457.2)	7.64	(194.0)	377	(171.0)	8"	(200)
B3151-11Y	--	16 Ga.	(1.5)	18"	(457.2)	8.64	(219.4)	424	(192.3)	8"	(200)
B3151-12Y	--	16 Ga.	(1.5)	18"	(457.2)	9.64	(244.8)	475	(215.4)	10"	(250)
B3151-13Y	--	16 Ga.	(1.5)	18"	(457.2)	10.76	(273.3)	529	(239.9)	10"	(250)
B3151-14Z	--	14 Ga.	(1.9)	24"	(609.6)	11.76	(298.7)	964	(437.3)	12"	(300)
B3151-15Z	--	14 Ga.	(1.9)	24"	(609.6)	12.76	(324.1)	1045	(474.0)	12"	(300)
B3151-16Z	--	14 Ga.	(1.9)	24"	(609.6)	14.00	(355.6)	1146	(519.8)	14"	(350)
B3151-17Z	--	14 Ga.	(1.9)	24"	(609.6)	15.00	(381.0)	1227	(556.5)	16"	(400)
B3151-18Z	--	14 Ga.	(1.9)	24"	(609.6)	16.00	(406.4)	1308	(593.3)	16"	(400)
B3151-19Z	--	14 Ga.	(1.9)	24"	(609.6)	17.00	(431.8)	1393	(631.8)	18"	(450)
B3151-20Z	--	12 Ga.	(2.6)	24"	(609.6)	18.00	(457.2)	2064	(936.2)	18"	(450)
B3151-21Z	--	12 Ga.	(2.6)	24"	(609.6)	19.00	(482.6)	2178	(987.9)	20"	(500)
B3151-22Z	--	12 Ga.	(2.6)	24"	(609.6)	20.00	(508.0)	2292	(1039.6)	20"	(500)
B3151-23Z	--	12 Ga.	(2.6)	24"	(609.6)	21.00	(533.4)	2406	(1091.3)	24"	(600)
B3151-24Z	--	12 Ga.	(2.6)	24"	(609.6)	22.00	(558.8)	2520	(1143.1)	24"	(600)
B3151-25Z	--	12 Ga.	(2.6)	24"	(609.6)	23.00	(584.2)	2634	(1194.8)	24"	(600)
B3151-26Z	--	12 Ga.	(2.6)	24"	(609.6)	24.00	(609.6)	2753	(1248.7)	24"	(600)
B3151-27Z	--	12 Ga.	(2.6)	24"	(609.6)	25.00	(635.0)	2862	(1298.2)	30"	(750)
B3151-28Z	--	12 Ga.	(2.6)	24"	(609.6)	26.00	(660.4)	2980	(1351.7)	30"	(750)
B3151-29Z	--	12 Ga.	(2.6)	24"	(609.6)	27.00	(685.8)	3094	(1403.4)	30"	(750)
B3151-30Z	--	12 Ga.	(2.6)	24"	(609.6)	28.00	(711.2)	3208	(1455.1)	30"	(750)

All dimensions in charts and on drawings are in inches. Dimensions shown in parentheses are in millimeters unless otherwise specified.

Pipe Supports, Guides, Shields & Saddles

B3154 - Short Insulation Protection Shield (TOLCO Fig. 220)

B3155 - Short Insulation Protection Shield with "Loc" Tabs (TOLCO Fig. 219)

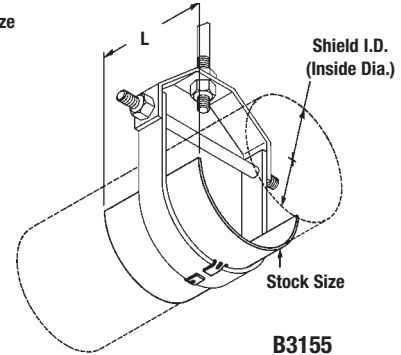
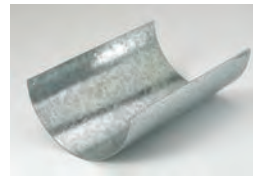
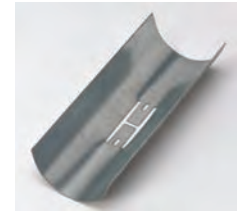
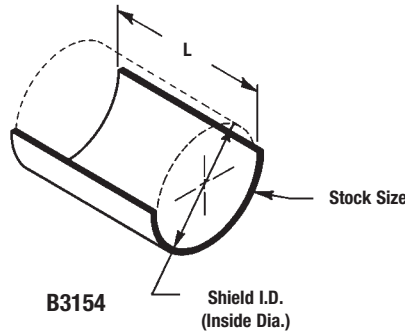
Material: Steel (Stainless steel available)

Function: Designed for protection of foam, fiberglass, or high density insulation when used with pipe hangers.

Finish: Pre-Galvanized

Order By: Part part number and finish.

Note: See Selection Tables on page 161 for proper sizing.



B3155 same dimension as B3154 but with bottom tabs for centering and securing the shield to hanger.

Part No.	Part No.	Stock Size		L		Shield 'I.D.'		Approx.Wt./100		Pipe Hanger Size	
		in.	(mm)	in.	(mm)	in.	(mm)	Lbs.	(kg)	in.	(mm)
B3154-1X	B3155-1X	18 Ga.	(1.2)	8"	(203.2)	1.90	(48.2)	36	(16.3)	1 1/2"	(40)
B3154-2X	B3155-2X	18 Ga.	(1.2)	8"	(203.2)	2.38	(60.4)	45	(20.4)	2"	(50)
B3154-3X	B3155-3X	18 Ga.	(1.2)	8"	(203.2)	2.88	(73.1)	54	(24.5)	2 1/2"	(65)
B3154-4X	B3155-4X	18 Ga.	(1.2)	8"	(203.2)	3.50	(88.9)	66	(29.9)	3"	(80)
B3154-5X	B3155-5X	18 Ga.	(1.2)	8"	(203.2)	4.00	(101.6)	75	(34.0)	3 1/2"	(90)
B3154-6X	B3155-6X	18 Ga.	(1.2)	8"	(203.2)	4.50	(114.3)	84	(38.1)	4"	(100)
B3154-7X	B3155-7X	18 Ga.	(1.2)	8"	(203.2)	5.00	(127.0)	93	(42.2)	5"	(125)
B3154-8X	B3155-8X	18 Ga.	(1.2)	8"	(203.2)	5.56	(141.2)	105	(47.6)	5"	(125)
B3154-9X	B3155-9X	18 Ga.	(1.2)	8"	(203.2)	6.64	(168.6)	126	(57.1)	6"	(150)
B3154-10Z	B3155-10Z	18 Ga.	(1.2)	12"	(304.8)	7.64	(194.0)	218	(98.9)	8"	(200)
B3154-11Z	B3155-11Z	18 Ga.	(1.2)	12"	(304.8)	8.64	(219.4)	247	(112.0)	8"	(200)
B3154-12Z	B3155-12Z	18 Ga.	(1.2)	12"	(304.8)	9.64	(244.8)	273	(123.8)	10"	(250)
B3154-13Z	B3155-13Z	18 Ga.	(1.2)	12"	(304.8)	10.76	(273.3)	304	(137.9)	10"	(250)
B3154-14Z	B3155-14Z	18 Ga.	(1.2)	12"	(304.8)	11.76	(298.7)	332	(150.6)	12"	(300)
B3154-15Z	B3155-15Z	18 Ga.	(1.2)	12"	(304.8)	12.76	(324.1)	360	(163.3)	12"	(300)