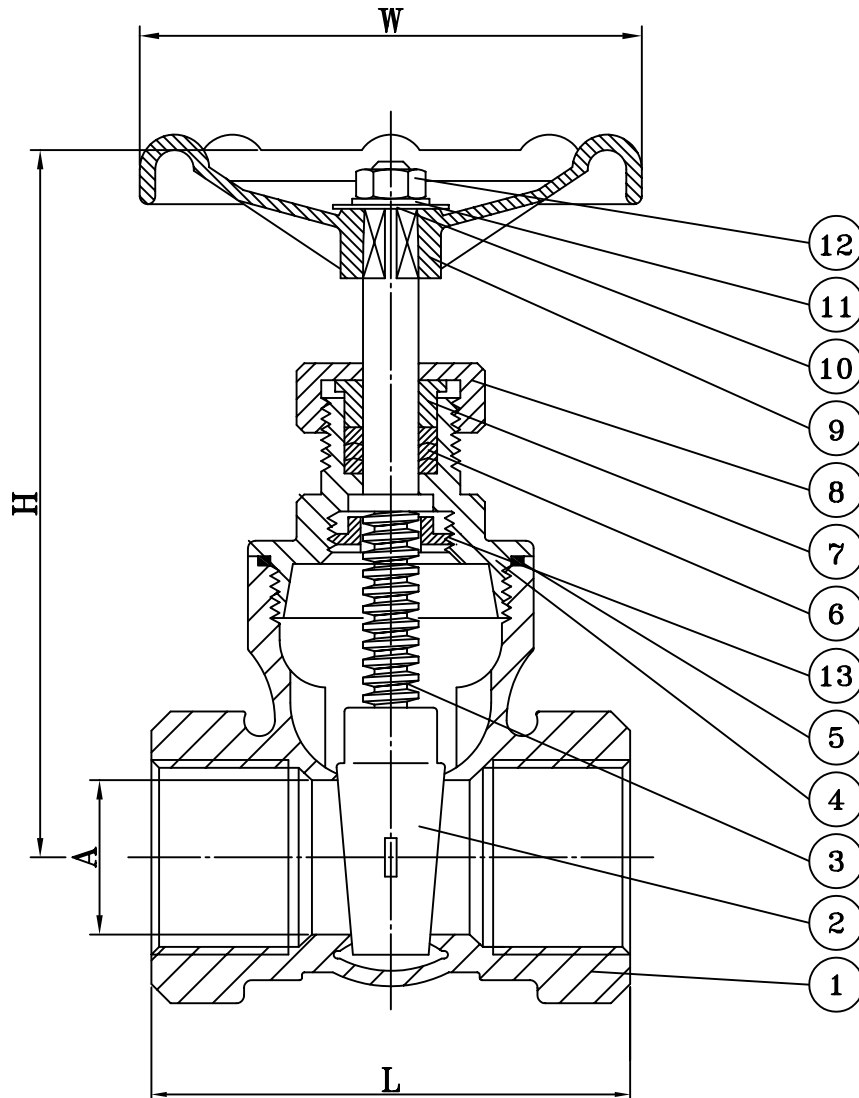


Fig No: F15B-200



MATERIAL

NO	PART NAME	MATERIAL	Q.TY
1	BODY	ASTM A351 Gr.CF8M	1
2	DISC	ASTM A351 Gr.CF8M	1
3	STEM	SS316	1
4	BONNET	ASTM A351 Gr.CF8M	1
5	BODY SEAL	PTFE.	1
6	STEM PACKING	PTFE.	1SET
7	GLAND	SS304	1
8	GLAND NUT	ASTM A351 Gr.CF8M	1
9	HANDLEWHEEL	MICO STEEL	1
10	NAME PLATE	ALUMINUM	1
11	HANDLEWHEEL WASHER	SS304	1
12	HANDLEWHEEL NUT	SS304	1
13	STOP RING	SS304	1

DIMENSION inch

SIZE	A	H	L	W
1/2"	0.59	3.62	2.17	2.76
3/4"	0.79	3.82	2.38	2.76
1"	0.98	4.27	2.58	3.15
1-1/4"	1.26	4.86	3.01	3.15
1-1/2"	1.57	5.75	3.37	3.54
2"	1.98	6.38	3.76	3.94



	APPROVED BY.	CHECK BY.	DRAWN BY.	DRAWING NO.	MATERIAL	UNIT	DESCRIPTION
SIGN				15B-200-D		INCH	SCREWED BONNET GATE VALVES 200 PSI NON RISING STEM, THREADED END
DATE				REVISION	SCALE	FREE	
				01 07/04/2002			