

SPECIFICATIONS

FIGURE 15B-200

STAINLESS STEEL GATE VALVE



200 WOG NON-RISING STEM GATE VALVE

FEATURES

- 200 WOG
- Non-rising stem
- Inside screw
- Temperature: -4°F to 356°F
- Investment cast components
- Stainless steel body and trim
- Solid wedge disc
- Threaded NPT ends
- Adjustable packing

STANDARDS

- Pressure test: API 598
- Shell to EN12516-3
- Connections: ASI B1.20.1 (NPT)

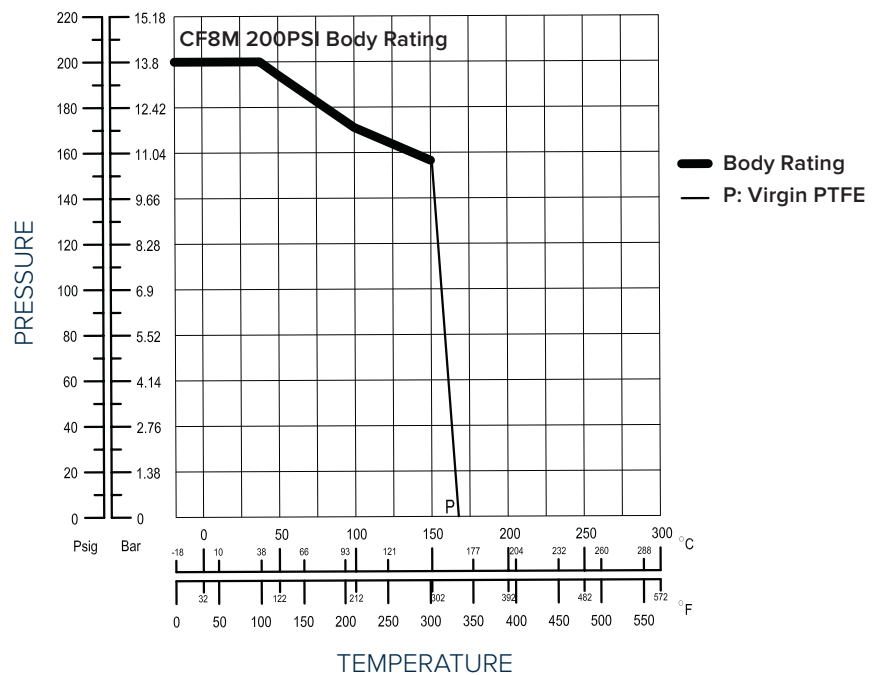


FIGURE NUMBER MATRIX

Size Code – FNW 15B 200	
1/2	D
3/4	F
1	G
1-1/4	H
1-1/2	J
2	K

CV & WEIGHTS

Size	Cv	Wt. (lbs)
1/2	22.4	1.0
3/4	41.5	1.2
1	67.5	1.5
1-1/4	113.1	2.1
1-1/2	180.9	3.2
2	297.2	4.5



SPECIFICATIONS

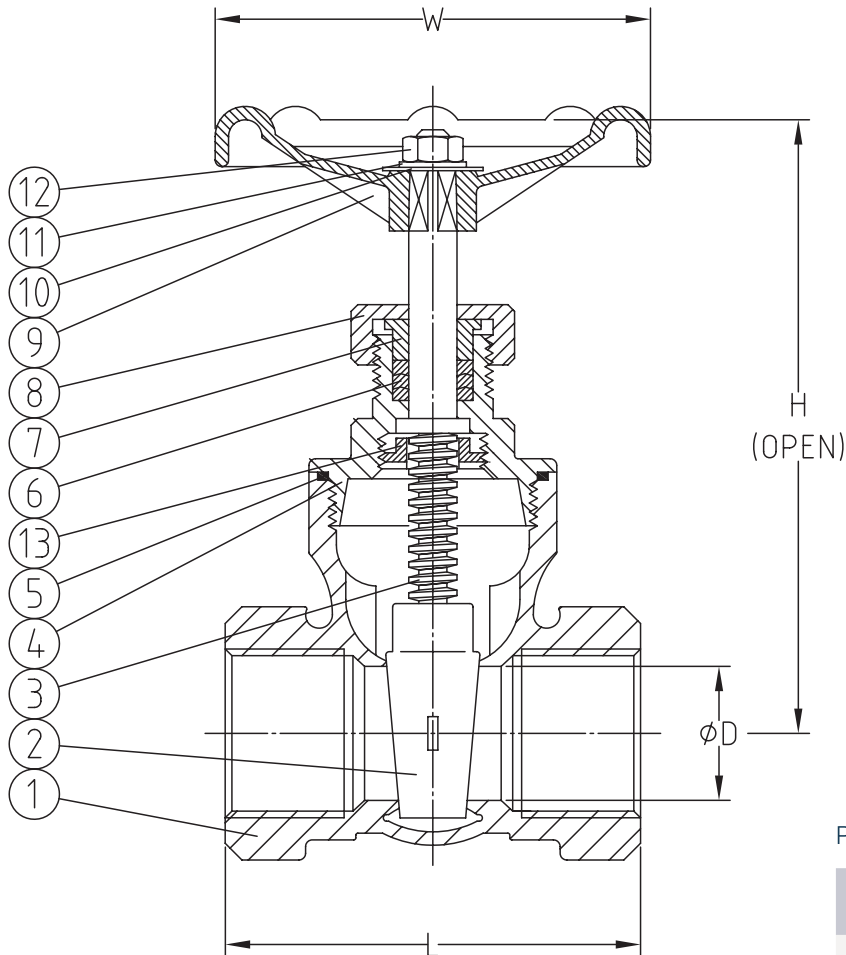
FIGURE 15B-200

STAINLESS STEEL GATE VALVE



200 WOG NON-RISING STEM GATE VALVE

PARTS DIAGRAM



DIMENSIONS (INCHES)

Size	ØD	L	H	W
1/2	0.59	2.17	3.62	2.76
3/4	0.79	2.38	3.82	2.76
1	0.98	2.58	4.27	3.15
1-1/4	1.26	3.01	4.86	3.15
1-1/2	1.57	3.37	5.75	3.54
2	1.98	3.76	6.38	3.94

PART MATERIALS & QUANTITY

Ref. No.	Description	Material	Qty
1	Body	ASTM A351 Gr. CF8M	1
2	Disc	ASTM A351 Gr. CF8M	1
3	Stem	316SS	1
4	Bonnet	ASTM A351 Gr. CF8M	1
5	Body Seal	PTFE	1
6	Stem Packing	PTFE	1 Set
7	Gland	304SS	1
8	Gland Nut	ASTM A351 Gr. CF8M	1
9	Hand Wheel	DIE CAST ZINC ALLOY	1
10	Name Plate	ALUMINUM	1
11	Hand Wheel Washer	304SS	1
12	Hand Wheel Nut	304SS	1
13	Stop Ring	304SS	1