

R84000E

BRIZO®

SENSORIPLUS™ DIGITAL 4-PORT SHOWER ROUGH

FEATURES:

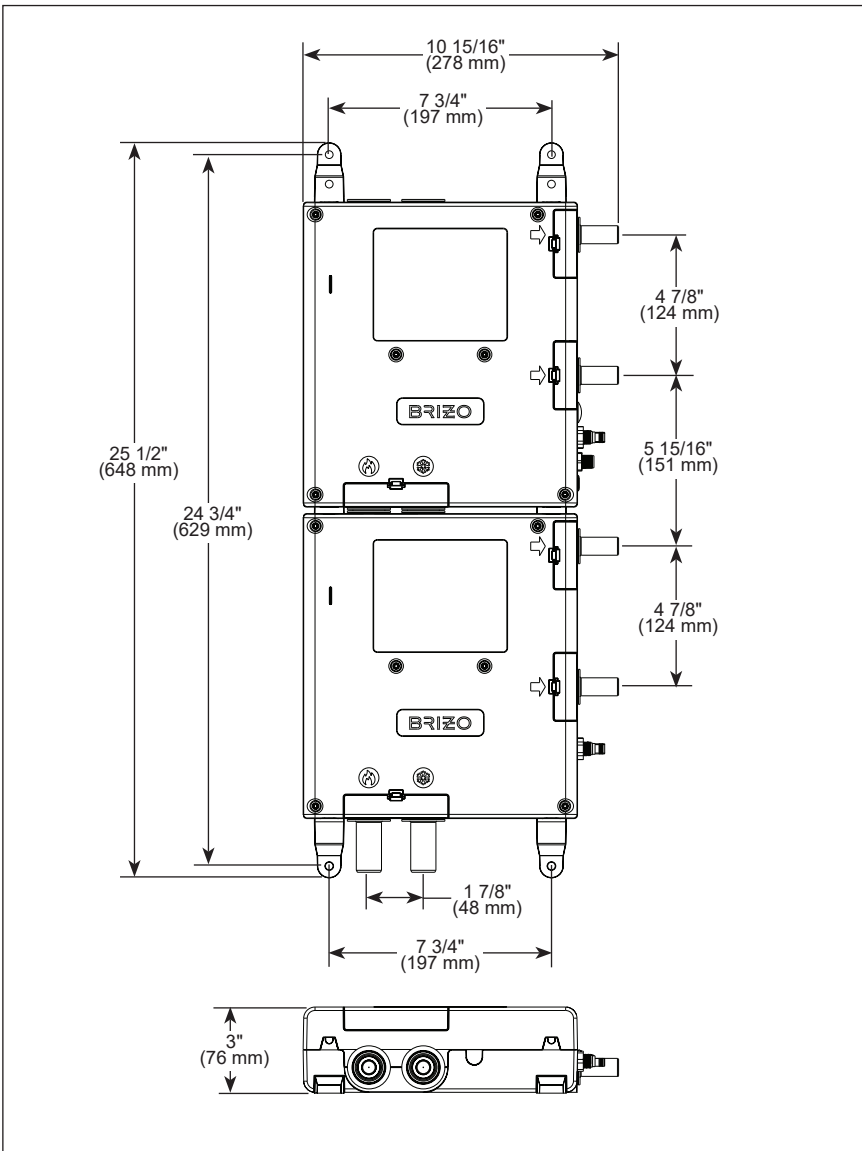
- Digital controlled thermostatic shower valve
- Independent temperature and volume control for each outlet port
- Test button for rough-in pressure check
- Diagnostic LED
- Firmware updateable through the user interface when connected to WiFi
- Separate mixing valves independently calibrated for each outlet

STANDARD SPECIFICATIONS:

- 3/4" Brass tube inlet connections
- 1/2" Brass tube outlet connections
- Max power requirement is 60 Watts
- Maximum operating pressure is 125 PSI, 862 kPa
- Maximum water temperature is 150 °F (66 °C)
- Minimum flow for each outlet device or shower head is 1.2 gpm, 4.5 L/min
- Includes:
 - 4-Port Digital Shower Rough
 - 12VDC/60W power adapter with 2.5m wire
 - 35' interface cable
 - Interface cable adapter
- Requires 120V outlet
- Required interface 8CN-600S ▲, 8CH-600S-▲, or 8CB-600S-▲ purchased separately

WARRANTY

- Residential Digital Shower Valve: five (5) year limited warranty from the date the product is received by the original consumer purchaser or their authorized representative (installation contractor, etc.); or for commercial purchasers, 1 year from the date that the product is received by the original purchaser or their authorized representative (installation contractor, etc.).
- Residential Electronic Parts, Controls, Spa Options and Accessories: two (2) years from the date the product is received by the original consumer purchaser or their authorized representative (installation contractor, etc.). This 2 year limited warranty does not apply to controls, spa options, electronic parts and accessories that are used in commercial applications (as defined herein).
- Please go to www.brizo.com for the complete details of our limited warranty.



Maximum Flow Rate Guide

SENSORIPLUS™ Digital Shower Valve	40 PSI, 275 kPa		60 PSI, 414 kPa		80 PSI, 550 kPa	
	7 gpm	26 L/min	8 gpm	31 L/min	9 gpm	36 L/min
One outlet	7 gpm	26 L/min	8 gpm	31 L/min	9 gpm	36 L/min
R84000E - all outlets	25 gpm	93 L/min	30 gpm	113 L/min	34 gpm	130 L/min

COMPLIES WITH:

- ASME A112.18.1 / CSA B125.1
- ASSE 1016 / ASME A112.1016 / CSA B125.16
- UL 1951
- CSA C22.2 No. 14
- CSA C22.2 No. 68