

Calhoun - PROPFC012HEMWH

Two-Piece Round Front Toilet



Product Features

- PROPFC012HEMWH consists of PF1500WH (bowl) and PF6112WHM (tank)
- 1.28 GPF
- Gravity-fed siphon jet flush
- Vitreous china
- 15-1/2" round front bowl
- Rough-in: 12"
- Flush valve: 3"
- Trapway: 2" fully glazed
- Water spot: 9" x 6"
- Front-mounted white trip lever with brass arm
- Sanitary bar on bowl for easy cleaning
- Quick connect, two-bolt tank-to-bowl installation



Optional Accessories/Available Parts

- PF9412FLPK Fill Valve Assembly
- PF9412FVPK Flush Valve Assembly
- PF140990PK White Flush Lever

Codes and Certifications



- IAPMO/cUPC
- EPA WaterSense Certified
- ASME A112.19.2 / CSA B45.1
- MaP Rated 1000g

Available Colors: White (WH)

Tank

PF6112WHM 12" Rough-in Tank with White Lever

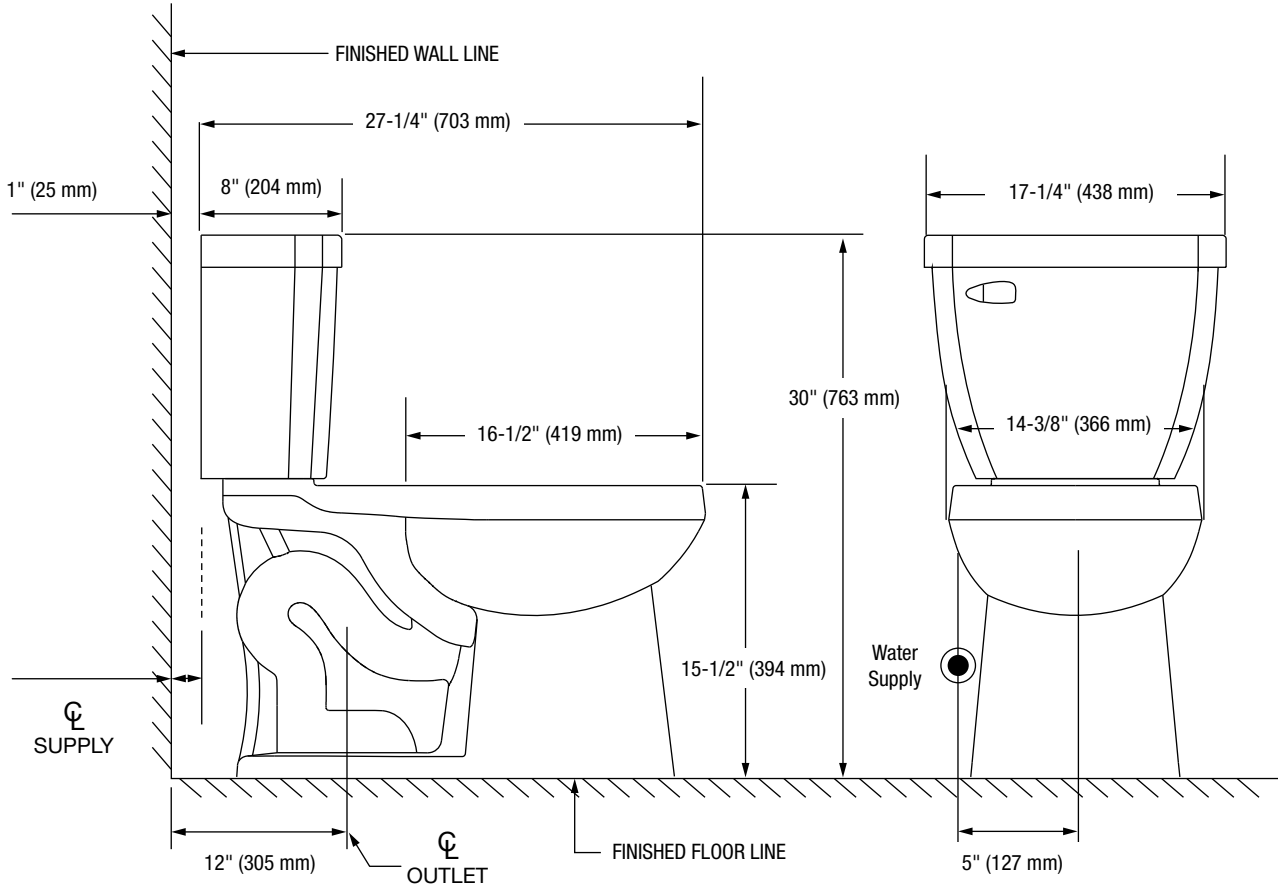
Bowl

PF1500WH Round Front Bowl - 15-1/2"

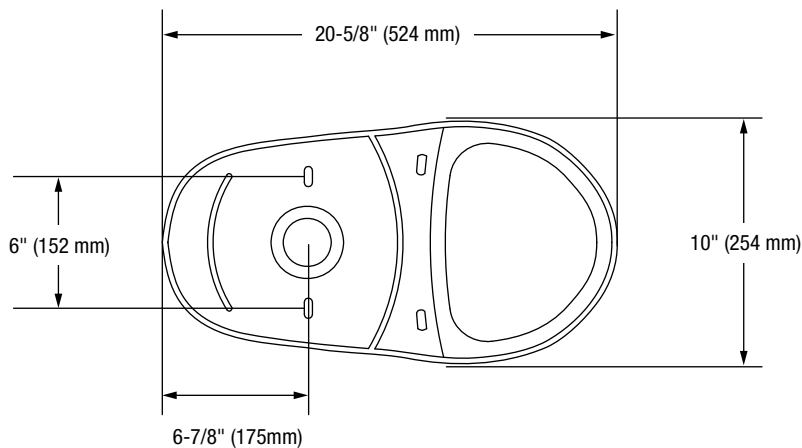
Visit ferguson.com/PROFLO-vitreous-china-warranty for detailed warranty information.

Calhoun - PROPFCLC012HEMWH

Two-Piece Round Front Toilet



Bowl Footprint Dimensions



Note: All dimensions and specifications are nominal and may vary. Dimensions of 8" and greater have a tolerance of +3%. Dimensions less than 8" have a tolerance of +5%.