

Jerritt – PROPFJRC310UHEMWH

Two-Piece Elongated Bowl Toilet



Product Features

- PROPFJRC310UHEMWH consists of PF1402TWH (bowl) and PF2310WH (tank)
- 1.0 GPF
- Gravity-fed siphon jet flush
- Vitreous china
- 16-1/4" elongated bowl
- Rough-in: 10"
- Flush valve: 2"
- Trapway: 2" fully glazed
- Water spot: 7" x 6"
- Front-mounted color match trip lever
- Sanitary bar on bowl for easy cleaning
- Quick connect, two-bolt tank-to-bowl installation



Optional Accessories/Available Parts

- PF2312FLPK** Fill Valve Assembly
PF2312FVPK Flush Valve Assembly
PF5112TLCPPK Chrome Flush Lever

Available Colors: White (WH)

Codes and Certifications



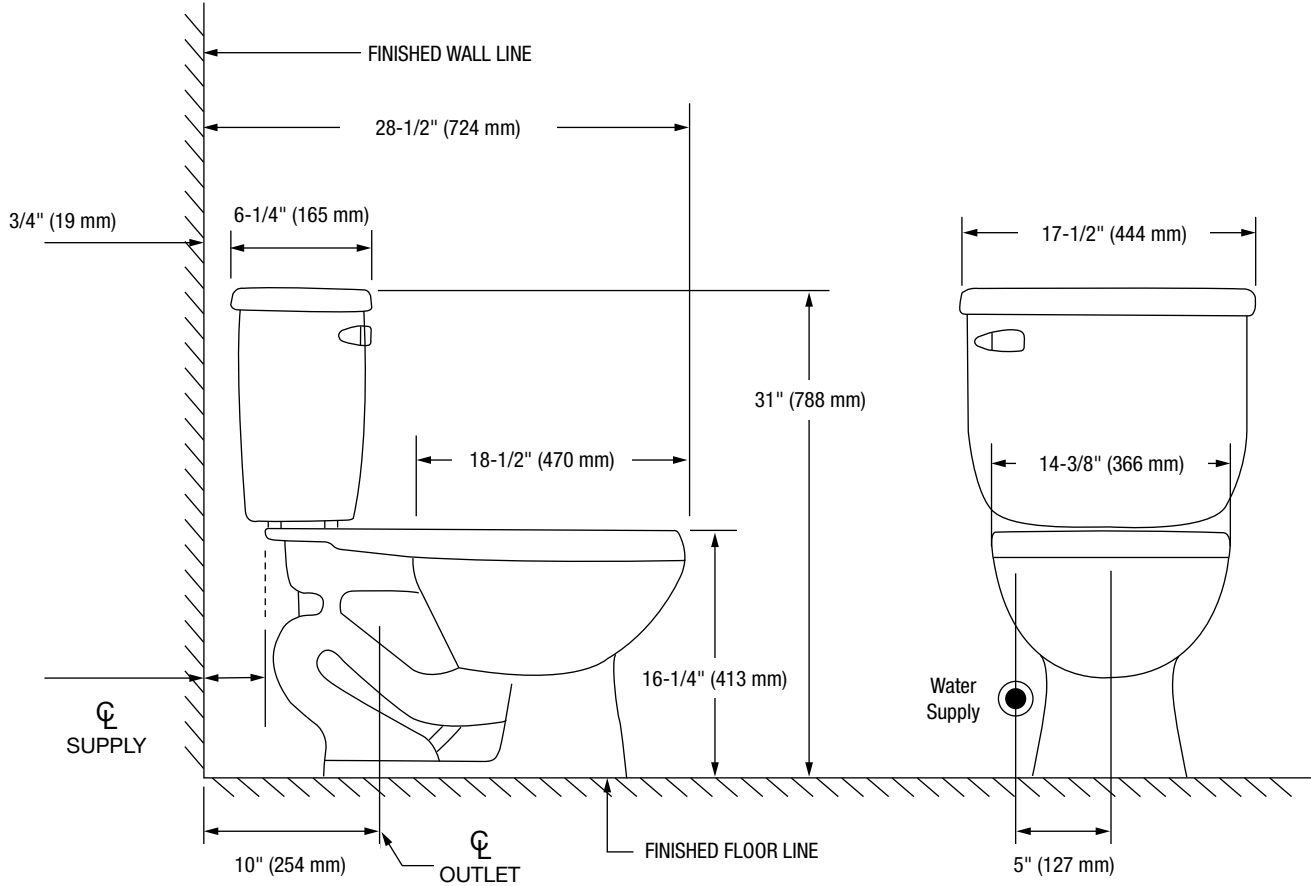
- IAPMO/cUPC
- EPA WaterSense Certified
- ASME A112.19.2 / CSA B45.1
- MaP Rated 800g
- Meets ADA requirements when installed according to ADA guidelines

Tank	
PF2310WH	10" Rough-in Tank
Bowl	
PF1402TWH	Elongated, Comfort Height Bowl – 16-1/4"

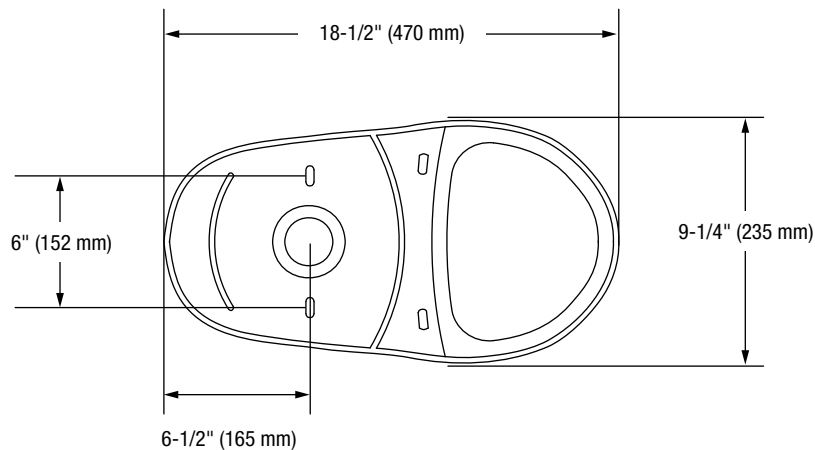
Visit ferguson.com/PROFLO-vitreous-china-warranty for detailed warranty information.

Jerritt – PROPFJRC310UHEMWH

Two-Piece Elongated Bowl Toilet



Bowl Footprint Dimensions



Note: All dimensions and specifications are nominal and may vary: Dimensions of 8" and greater have a tolerance of ±.030" Dimensions less than 8" have a tolerance of ±.015"