

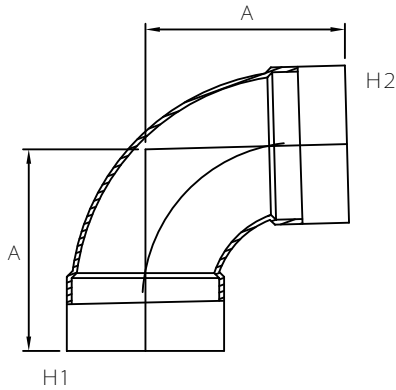


MULTI FITTINGS

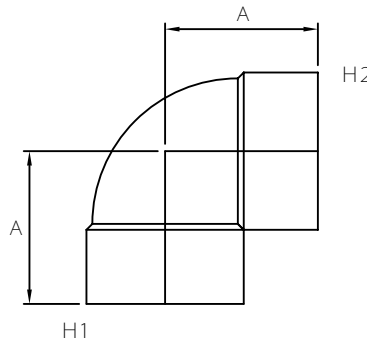
LAYING LENGTH

ISSUE DATE: 2018 02 07
SUPERCEDES: 2005 06 30

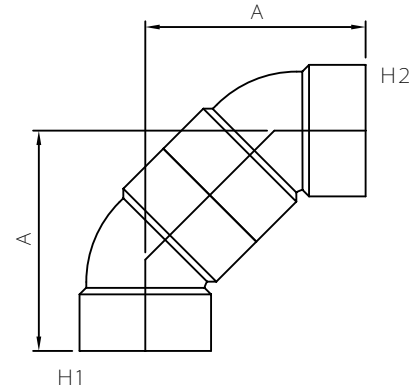
90° ELBOW (HxH) (1/4 BEND)



INJECTION MOLDED
FITTING (M)



INJECTION MOLDED
FITTING (M1)



FABRICATED
FITTING (F)

| | SIZE H1xH2 | PART NUMBER | A REF | |
|----|---------------|----------------|----------|-----|
| M | 4x4 | 026471 | 5.625 | 056 |
| M | 6x6 | 026090 | 8.000 | 084 |
| M | 6x6 | 226031 | 8.000 | 084 |
| M | 8x8 | 026091 | 10.000 | 084 |
| M | 8x8 | 226043 | 10.000 | 084 |
| M1 | 10x10 | 026065 | 11.250 | 084 |
| M1 | 12x12 | 026134 | 13.500 | 084 |
| F | 14x14 | 294655 | 25.25 | 670 |
| F | 16x16 | 294659 | 29.00 | 670 |
| F | 18x18 | 294663 | 32.50 | 670 |
| F | 20x20 | 294667 | 36.00 | 670 |
| F | 24x24 | 294671 | 43.00 | 670 |

NOTE: Refer to Page LPD5 for Molded hub detail
Refer to Page LPD5 - 1 for Fabricated hub detail