

J
DRAWING NUMBER S1080
SIZE A
SCALE: NONE
DATE: 8-19-83
APPROVED BY: JD
CHECKED BY: JD
DRAWN BY: CR
FIGURE NUMBER 1080

WE CAN ASSUME NO RESPONSIBILITY FOR USE OF SUPERSEDED OR VOID DATA
DIMENSIONS ARE SUBJECT TO MANUFACTURERS TOLERANCE AND CHANGE WITHOUT NOTICE



JAY R. SMITH MFG. CO.
DIVISION OF SMITH INDUSTRIES, INC.
POST OFFICE BOX 3237
MONTGOMERY, ALABAMA 36109-0237 (USA)
TEL: 334-277-8520 FAX: 334-272-7396 www.jrsmith.com

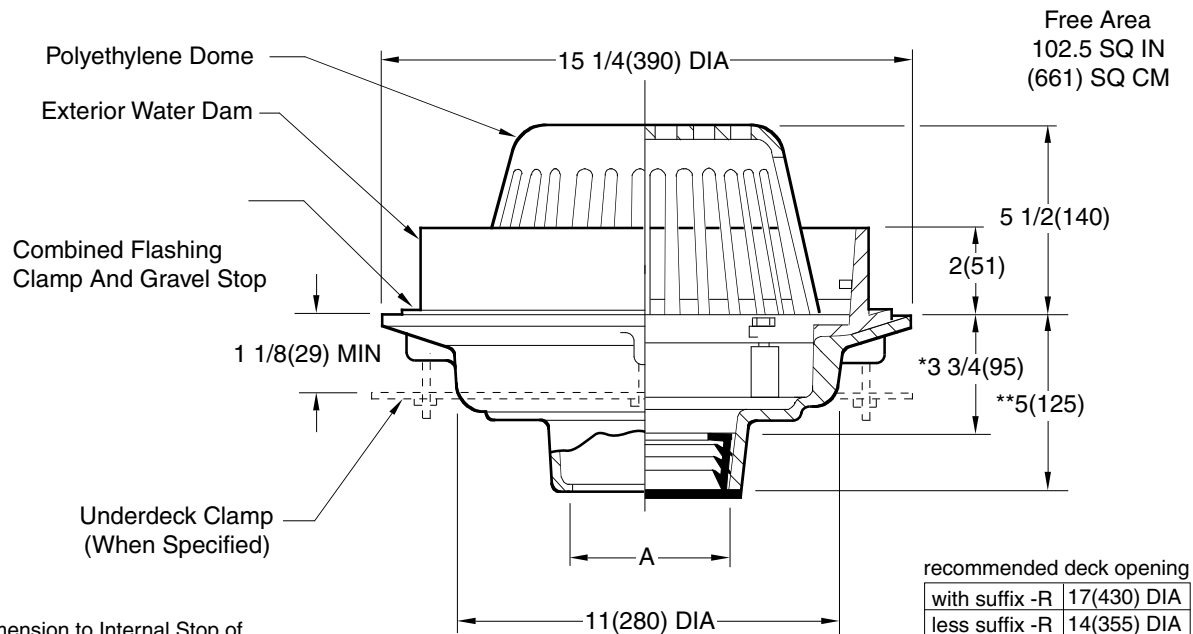


LOCATION

SPECIAL PURPOSE ROOF DRAINS

WATER DAM TYPE

FUNCTION: Used in flat roofs of any construction where a constant height of water is desired on the roof. It may also be used as an emergency overflow for conventional roofs, draining rain water when the depth of the water on the roof reaches the water dam height.



*This Dimension to Internal Stop of Speedi-Set Gasket
**Same for Caulk, NO-HUB and Speedi-Set. 3 3/4(95) for Threaded.

A (Pipe Size) 02(50), 03(75), 04(100), 05(125), 06(150) or 08(200)

Fig. 1080C CAULK OUTLET
Fig. 1080Y NO-HUB OUTLET

REGULARLY FURNISHED:
Duco Cast Iron Body, Flashing Clamp and Gravel Stop with Polyethylene Dome, and Cast Iron Water Dam.

NOTE: Dimensions shown in parentheses are in millimeters.

- VARIATIONS:**
- Adjustable Extension(Specify Fig. 1045)
 - Expansion Joint (Specify Fig. 1710)
 - Extension -E (Specify Height)
 - "L" Shaped Underdeck Clamp -CL
 - L Speedi-Set Service Weight 02(50), 03(75) & 04(100)" sizes only
 - LXH Speedi-Set Extra Heavy 02(50), 03(75) & 04(100)" sizes only
 - Secondary Flashing Clamp -C2
 - Sump Receiver -R
 - Underdeck Clamp -C
 - Vandal Proof Dome -U
 - T Threaded Outlet
 - 2 1/2(64), 3(76) or 4"(100) Water Dams Available -WD

- OPTIONAL MATERIALS:**
- ▲ Aluminum Dome -AD
 - ▲ Cast Iron Dome -CID
 - Galvanized Cast Iron Body & Collar -G
 - ▲ Galvanized Cast Iron Dome -CIDG
 - ▲ Rough Bronze Dome -RBD

▲ **Optional domes' free area are as follows:**
Aluminum 98 (632)
Cast Iron 80 (516)
Bronze 95 (613)

REV.	DATE	DESCRIPTION	BY	CKD. BY	WEIGHT POUNDS	VOLUME CUBIC FEET	FIGURE NUMBER
JH	06/04/09 9-8-08	Added Optional Dome Notes Rev. Variations	JJ RN	CL TK			1080