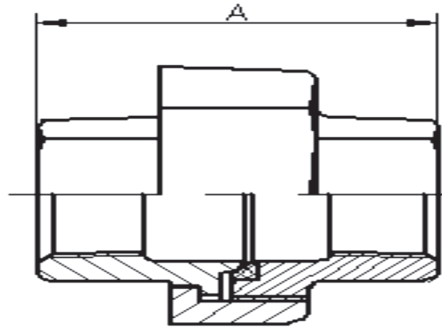
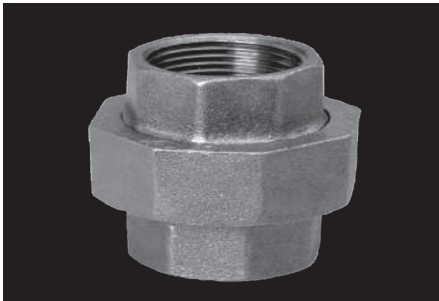


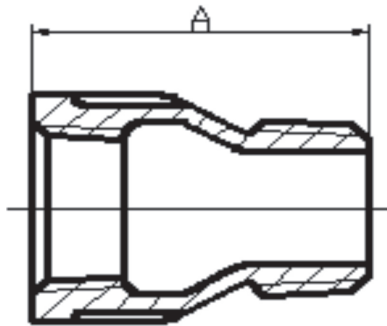
Malleable Iron Fittings

Union - Conical Joint, Brass to Iron Seat



Size (in.)	Part Number	
	Black	Galv
3/8	IB150UC	IG150UC
4	IB150UP	IG150UP
1/2	IB150UD	IG150UD
3/4	IB150UF	IG150UF
1	IB150UG	IG150UG
1-1/4	IB150UH	IG150UH
1-1/2	IB150UJ	IG150UJ
2	IB150UK	IG150UK
1/8	IB150UA	
2-1/2	IB150UL	IG150UL
1/4	IB150UB	IG150UB
3	IB150UM	IG150UM

Extension Piece



Size (in.)	Part Number	
	Black	Galv
1/2	IBEPD	IGEPEP
3/4	IBMIEPF	IGIEPF