



RESIDENTIAL SOLAR REPLACEMENT PARTS LIST “MS” Series Models

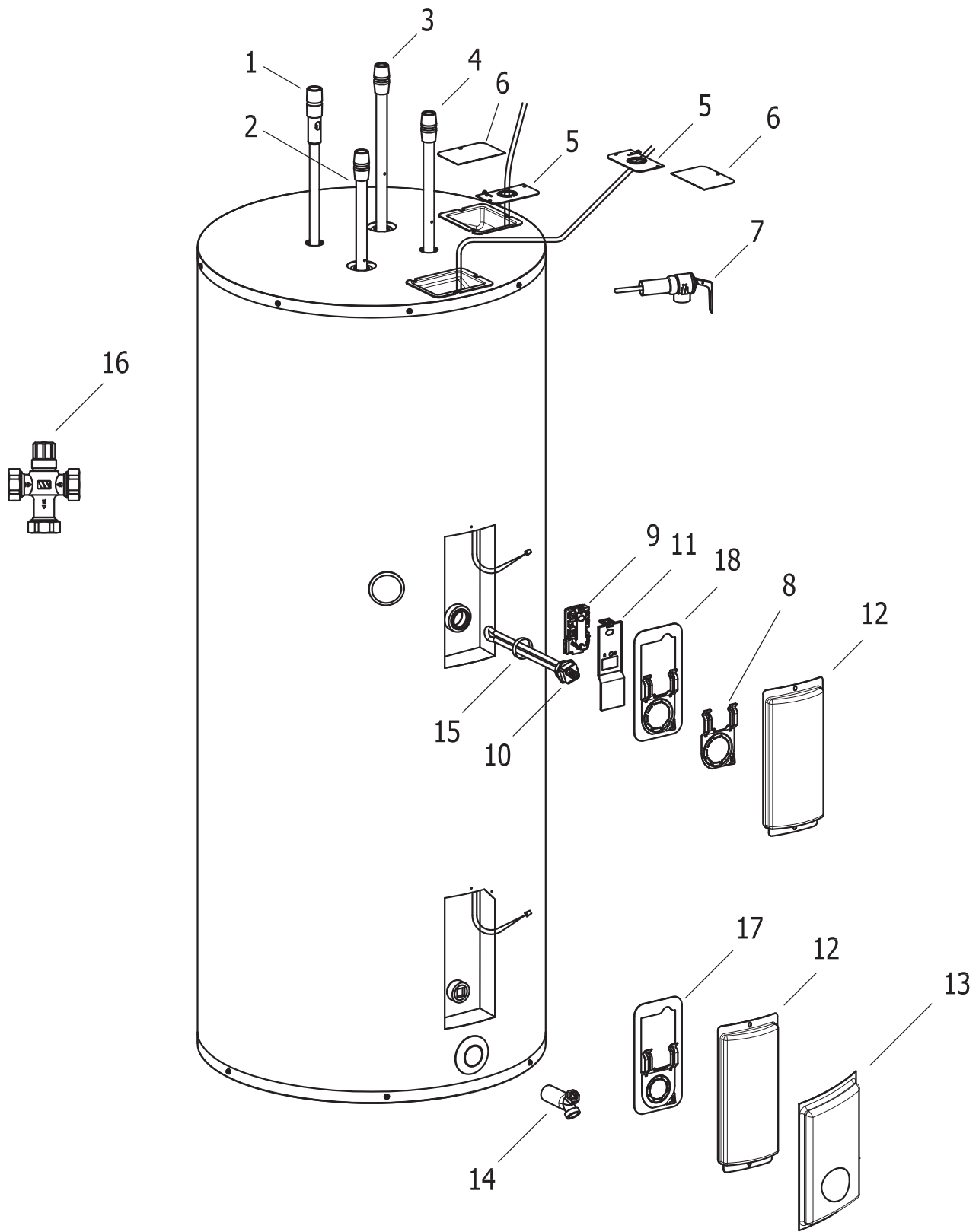


Includes Hydrojet®
Total Performance System

***Effective: December, 2011
ECO 7579***

**NOTE: BOTH MODEL AND SERIAL
NUMBERS ARE REQUIRED FOR
ORDERING REPLACEMENT PARTS**

Dimensions and specifications
subject to change without notice.



| Item | Description | Model | Model | Model |
|------|--|------------------------------|------------------------------|------------------------------|
| | | MS65R*SS | MS80R*SS | MS120R*SS |
| 1 | Hot Outlet Anode Magnesium Aluminum | 224-47776-12 224-47778-13 | 224-47776-13 224-47778-13 | 224-47776-19 224-47778-19 |
| 2 | Dip Tube Pump Suction Polypropylene Polysulfone | 229-32730-41 229-34189-49 | 229-32730-41 229-34189-49 | 229-32730-75 229-39628-31 |
| 3 | Dip Tube Collector Return Polypropylene Polysulfone | 229-32730-40 229-34189-47 | 229-32730-40 229-34189-47 | 229-32730-74 229-34189-48 |
| 4 | Dip Tube Cold Water Inlet Polypropylene Polysulfone | 229-39625-29 229-39628-32 | 229-39625-29 229-39628-32 | 229-39625-28 229-39628-31 |
| 5 | Cover Conduit/Ground | 243-39451-00 | 243-39451-00 | 243-39451-00 |
| 6 | Cover Junction Box | 243-39452-00 | 243-39452-00 | 243-39452-00 |
| 7 | T&P Valve | 230-40594-02 | 230-40594-02 | 230-40594-02 |
| 8 | Solar/Thermostat Mounting Bracket | 239-44479-00 ¹ | 239-44479-00 ¹ | 239-44479-00 ¹ |
| 9 | Thermostat with High Limit | 219-40694-00 | 219-40694-00 | 219-40694-00 |
| 10 | Heating Element 240V/4500W | 265-48642-00 | 265-48642-00 | 265-48642-00 |
| 11 | Thermostat Protector | 223-40399-00 | 223-40399-00 | 223-40399-00 |
| 12 | Access Cover | 243-36618-02 | 243-36618-02 | 243-36618-02 |
| 13 | Access Cover w/Collector Supply Opening | - - - | 243-41246-00 | 243-41246-00 |
| 14 | Brass Drain Valve | 265-42351-02 | 265-42351-02 | 265-42351-02 |
| 15 | Element Gasket | 223-34019-00 | 223-34019-00 | 223-34019-00 |
| 16 | ASSE Approved Mixing Valve | 239-43740-01 | 239-43740-01 | 239-43740-01 |
| 17 | Solar Bracket | 243-47564-01 ² | 243-47564-01 ² | 243-47564-01 ² |
| 18 | Solar/Thermostat Mounting Bracket | 243-47564-02 ² | 243-47564-02 ² | 243-47564-02 ² |

* Denotes Warranty Years

¹ For Serial Numbers Prior to GL14189366

² For Serial Numbers After and Including GL14189366

Heating Elements (Copper):

| Wattage | 120 Volt | 208 Volt | 240 Volt | 277 Volt | 380 Volt | 415 Volt | 480 Volt | 600 Volt |
|------------------|--------------|--------------|--------------|--------------|--------------|--------------|--------------|--------------|
| 1000W | 220-42540-01 | 220-42544-01 | 220-42546-01 | N/A | N/A | N/A | N/A | N/A |
| 1250W | N/A | N/A | 220-42544-13 | N/A | N/A | N/A | N/A | N/A |
| 1500W | 220-42540-02 | 220-42544-03 | 220-42544-01 | 220-42546-01 | 220-42550-10 | N/A | 220-42552-01 | N/A |
| 1500W (LWD) | 220-42540-03 | N/A | 220-42544-02 | N/A | N/A | N/A | N/A | N/A |
| 2000W | 220-42540-04 | 220-42544-04 | 220-42544-03 | 220-42546-09 | 220-42548-04 | 220-42550-10 | 220-42552-09 | N/A |
| 2500W | 220-42540-05 | 220-42544-06 | 220-42544-04 | 220-42546-03 | 220-42550-11 | 220-42548-04 | 220-42552-03 | N/A |
| 3000W | 220-42540-07 | 220-42544-14 | 220-42544-15 | 220-42546-04 | 220-42550-09 | 220-42550-11 | 220-42552-04 | N/A |
| 3500W | N/A | 220-42544-08 | 220-42544-06 | N/A | 220-42550-06 | 220-42550-09 | N/A | N/A |
| 3800W | N/A | N/A | 220-42546-07 | N/A | N/A | N/A | N/A | N/A |
| 4000W | N/A | 220-42544-11 | 220-42544-14 | 220-42546-05 | 220-42550-03 | 220-42550-07 | 220-42552-05 | N/A |
| 4500W | N/A | 220-42544-12 | 220-42544-08 | 220-42546-06 | 220-42550-04 | 220-42550-02 | 220-42552-06 | N/A |
| 4500W (LWD) | N/A | N/A | 220-42544-09 | N/A | N/A | N/A | N/A | N/A |
| 5000W | N/A | 220-42542-02 | 220-42544-10 | 220-42546-07 | 220-42550-05 | 220-42550-03 | 220-42552-07 | N/A |
| 5500W | N/A | 220-42542-03 | 220-42544-11 | N/A | 220-42548-03 | 220-42550-04 | N/A | N/A |
| 6000W | N/A | 220-42542-04 | 220-42544-12 | 220-42546-08 | 220-42548-02 | 220-42550-05 | 220-42552-08 | N/A |
| Element gasket ^ | 223-34019-00 | 223-34019-00 | 223-34019-00 | 223-34019-00 | 223-34019-00 | 223-34019-00 | 223-34019-00 | 223-34019-00 |
| Element plug | 223-34020-00 | 223-34020-00 | 223-34020-00 | 223-34020-00 | 223-34020-00 | 223-34020-00 | 223-34020-00 | 223-34020-00 |

(LWD) = Low Watt Density

For bagged elements that include gasket, change part number prefix to 265- (example: 265-42540-01).

^ Element gaskets should be ordered with elements.

Heating Elements (Incoloy):

| Wattage | 120 Volt | 208 Volt | 240 Volt | 277 Volt | 380 Volt | 415 Volt | 480 Volt | 600 Volt |
|------------------|--------------|--------------|--------------|--------------|--------------|--------------|--------------|--------------|
| 1000W | N/A | N/A | N/A | N/A | N/A | N/A | N/A | N/A |
| 1250W | N/A | N/A | N/A | N/A | N/A | N/A | N/A | N/A |
| 1500W | 220-42541-02 | 220-42545-02 | 220-42545-13 | N/A | 220-42551-12 | 220-42551-11 | N/A | N/A |
| 1500W (LWD) | N/A | N/A | N/A | N/A | N/A | N/A | N/A | N/A |
| 2000W | N/A | 220-42545-14 | 220-42545-02 | 220-42547-07 | 220-42549-04 | 220-42551-12 | 220-42553-01 | N/A |
| 2500W | N/A | 220-42545-11 | 220-42545-14 | N/A | 220-42551-13 | N/A | N/A | N/A |
| 3000W | N/A | 220-42545-12 | 220-42545-15 | 220-42547-08 | 220-42551-10 | 220-42551-13 | 220-42553-08 | N/A |
| 3500W | N/A | 220-42545-07 | 220-42545-11 | N/A | 220-42551-05 | 220-42551-10 | N/A | N/A |
| 3800W | N/A | N/A | 220-42547-09 | N/A | N/A | N/A | N/A | N/A |
| 4000W | N/A | 220-42545-09 | 220-42545-12 | 220-42547-03 | 220-42551-07 | 220-42551-05 | 220-42553-03 | N/A |
| 4500W | N/A | 220-42545-10 | 220-42545-07 | 220-42547-04 | 220-42551-08 | 220-42551-06 | 220-42553-04 | N/A |
| 4500W (LWD) | N/A | N/A | N/A | N/A | N/A | N/A | N/A | N/A |
| 5000W | N/A | 220-42543-01 | 220-42545-08 | 220-42547-09 | 220-42551-09 | 220-42551-07 | 220-42553-05 | N/A |
| 5500W | N/A | 220-42543-02 | 220-42545-09 | 220-42547-05 | 220-42549-03 | 220-42551-08 | 220-42553-06 | N/A |
| 6000W | N/A | 220-42543-03 | 220-42545-10 | 220-42547-06 | 220-42549-02 | 220-42551-09 | 220-42553-07 | N/A |
| Element gasket ^ | 223-34019-00 | 223-34019-00 | 223-34019-00 | 223-34019-00 | 223-34019-00 | 223-34019-00 | 223-34019-00 | 223-34019-00 |
| Element plug | 223-34020-00 | 223-34020-00 | 223-34020-00 | 223-34020-00 | 223-34020-00 | 223-34020-00 | 223-34020-00 | 223-34020-00 |

(LWD) = Low Watt Density

For bagged elements that include gasket, change part number prefix to 265- (example: 265-42541-02).

Element wrench ** 265-35897-12

Adapt-a-flange kit 265-36968-12

*** For use with residential, LD, E32, and MII series heating elements only. Not for use with commercial "A" series heating elements.

^ Element gaskets should be ordered with elements.



BRADFORD WHITE[®]

W A T E R H E A T E R S

Ambler, PA

For U.S. and Canada field service,
contact your professional installer or
local Bradford White sales representative.

Sales/800-523-2931
Fax/215-641-1670
Parts Fax/215-641-2180

Technical Support/800-334-3393
Fax/269-795-1089

Warranty/800-531-2111
Fax/269-795-1089

International:
Telephone/215-641-9400
Telefax/215-641-9750



BRADFORD WHITE-CANADA[®] INC.

Mississauga, ON

Sales/866-690-0961
905-238-0100

Fax/905-238-0105

Technical Support/800-334-3393

Email

parts@bradfordwhite.com
techserv@bradfordwhite.com

www.bradfordwhite.com