

STEAMIST®

Auto Drain

Model: SM-900

Specifications – SM-900

Electrical Information: Connects to a factory installed Auto Drain terminal block, located inside the Generator cabinet.

Product Information: Normally Open (N/O).
Inlet & Outlet - ½" NPT Brass female thread.

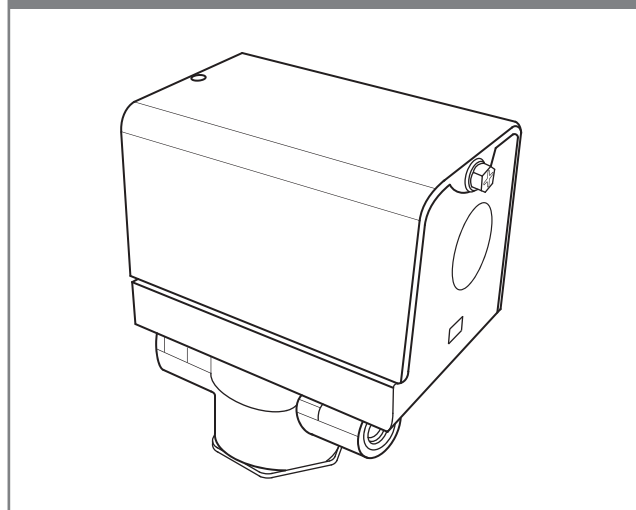
Installation Notes: Valve should be installed with arrow on cover pointing away from Generator. Pipe Auto Drain outlet to empty into floor drain. Outlet must have a minimum air gap of twice the diameter of the Auto Drain pipe.

Product No. - Description:

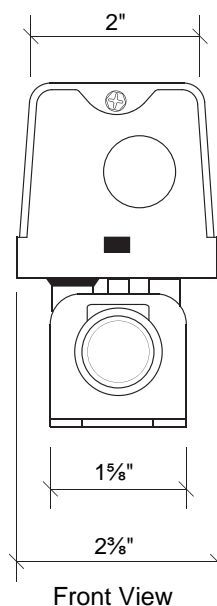
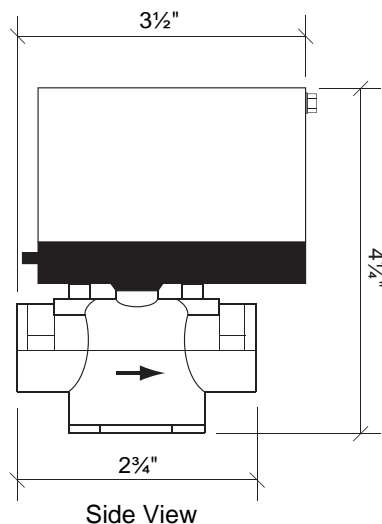
9060 - To be used with 240v generators

9061 - To be used with 208v generators

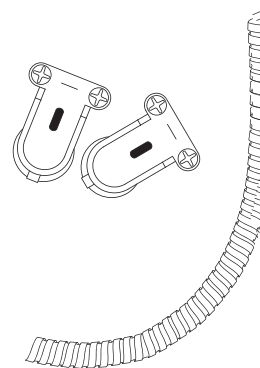
Auto Drain



Dimensions



Supplied with Conduit
and (2) Connectors



Application Information:

Not to be used with any InstaMist Steam Generators.

Factory installed ONLY on models SM-46, SM-79, SM-4, SM-5, SM-7, SM-8.

Can be field or factory installed on models SM-11, SM-12, SM-15, System-18*, System-24*, System-30*.

*NOTE: If installing Auto Drains on the System-18, System-24 or System-30, they require (2) Auto Drain Valves.