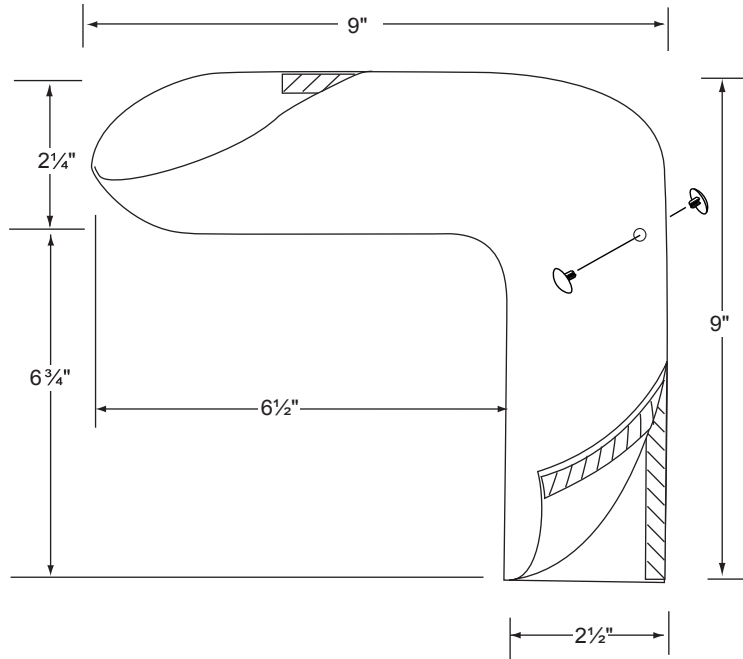




SUBMITTAL SHEET

PROJECT	
DWG #	
ITEM #	

## Lavatory Offset Tail Piece Cover (Standard) #3041-M



**SUGGESTED SPECIFICATION**

Insulate hot and cold domestic water piping, waste piping, and other components below ADA plumbing fixtures with IAPMO/UPC listed, one piece, molded removable 1/8" thick PVC vinyl with a smooth soft and pliable texture. Insulation shall conform to International Building Code (IBC) with testing standard of ASTM E84-07 Class A Material (25 Flame/450 Smoke) criteria. Protectors shall consist of a dual fastening system of full length \*VelcroFastening Strips and tamper resistant self-locking snap fasteners.. Protectors shall consist of a dual fastening system of full length \*Velcro Fastening Strips and tamper resistant self-locking snap fasteners.

**Manufacturer: Plumberex Specialty Products Inc.**

brand and shall consist of all the above listed components and features.

\*Velcro is a registered trademark of Velcro USA Inc.

**PRODUCT DETAIL:**

Protectors shall have a 1 1/4" brass fit. Surfaces shall have a non-abrasive, non-absorbent easy to clean U/V inhibited, antimicrobial, and antifungal properties. Install to comply with ADA 4. 19. 4. for exposed offsets under lavatory plumbing fixtures.

**PART NUMBER BY PRODUCT**

**MODEL # 3041-M White**  
Lavatory Offset Tailpiece Cover  
(Standard)

**Available color options:**

White	Gray	Almond	Black

