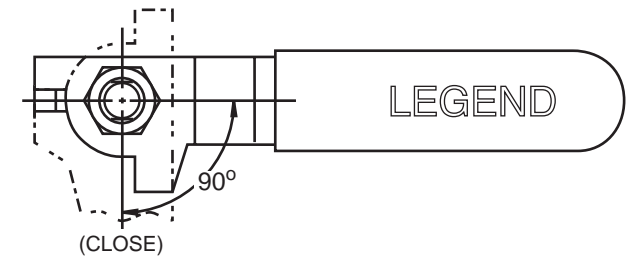
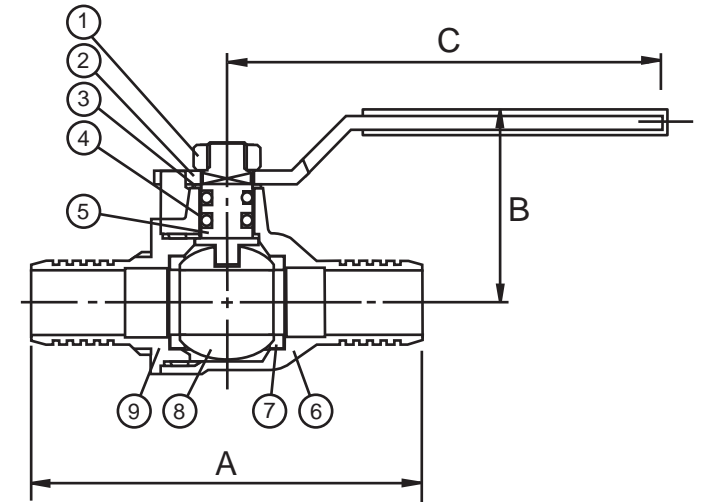


NOMENCLATURE AND MATERIALS

NO.	PART	MATERIALS		
1	Nut	Steel	S10C	AISI-1010
2	Handle	Steel	SS41	A283-D
3	Washer	*Teflon	PTFE	
4	O-ring	Rubber	NBR	
5	Stem	Forged Brass	C3604B	B16-C36000
6	Body	Forged Brass	C3771B	B124-C37700
7	Seats	*Teflon	PTFE	
8	Ball	Chrome Plated Forged Brass	C3604B	B16-C36000
9	End Adapter	Forged Brass	C3771B	B124-C37700

*Dupont registered trademark.



DIMENSIONS AND QUANTITIES

NOMINAL SIZE	DIMENSIONS				Cv Factor
	A	B	C	D	
1/2"	2.61"	1.3"	0.76"	2.96"	7.4
3/4"	2.80"	1.51"	0.54"	3.06"	13.4
1"	3.45"	1.64"	0.72"	3.78"	27.0

- NOTES:
- 400 W.O.G.
- 150 W.S.P.