

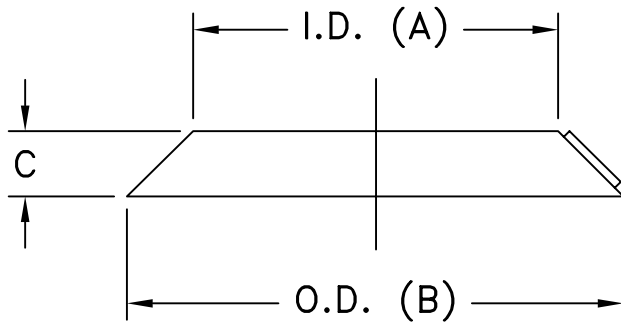
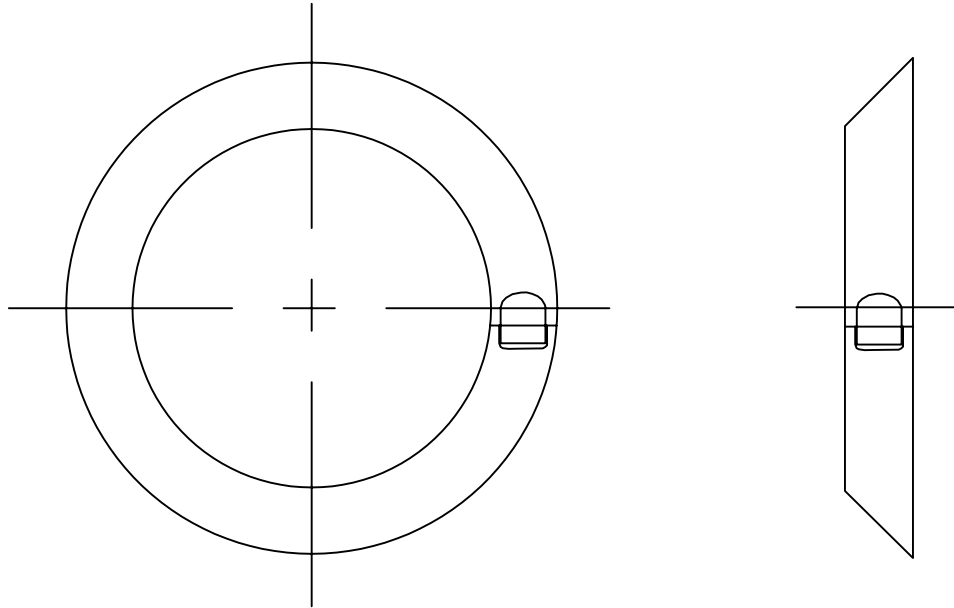
SUBMITTAL DRAWING

JOB NAME: _____
 LOCATION: _____
 ARCHITECT: _____
 ENGINEER: _____
 CONTRACTOR: _____

Type B Gas Vent
 ADJUSTABLE STORM COLLAR-RSC
 7" - 30" DIAMETER
 DRAWING #: B1-25

DATE: 05/03/05

SUBMITTED BY: _____



| PART NO. | A I.D. | B O.D. | C |
|----------|--------|---------|----------|
| 7RSC | 8" | 10-7/8" | 1-7/16" |
| 8RSC | 9" | 11-7/8" | 1-7/16" |
| 10RSC | 11" | 14-1/2" | 1-3/4" |
| 12RSC | 13" | 16-1/2" | 1-3/4" |
| 14SC | 15" | 18-7/8" | 1-15/16" |
| 16SC | 17" | 21-1/4" | 2-1/8" |
| 18SC | 19" | 23-3/4" | 2-5/16" |

| PART NO. | A I.D. | B O.D. | C |
|----------|--------|-----------|----------|
| 20SC | 21" | 25-15/16" | 2-1/2" |
| 22SC | 23" | 28-5/16" | 2-11/16" |
| 24SC | 25" | 30-11/16" | 2-7/8" |
| 26SC | 27" | 33-1/16" | 3-1/16" |
| 28SC | 29" | 35-1/16" | 3-1/4" |
| 30SC | 31" | 37-1/16" | 3-7/16" |

• MATERIAL:
 .018 THICK, G-90 GALVANIZED STEEL