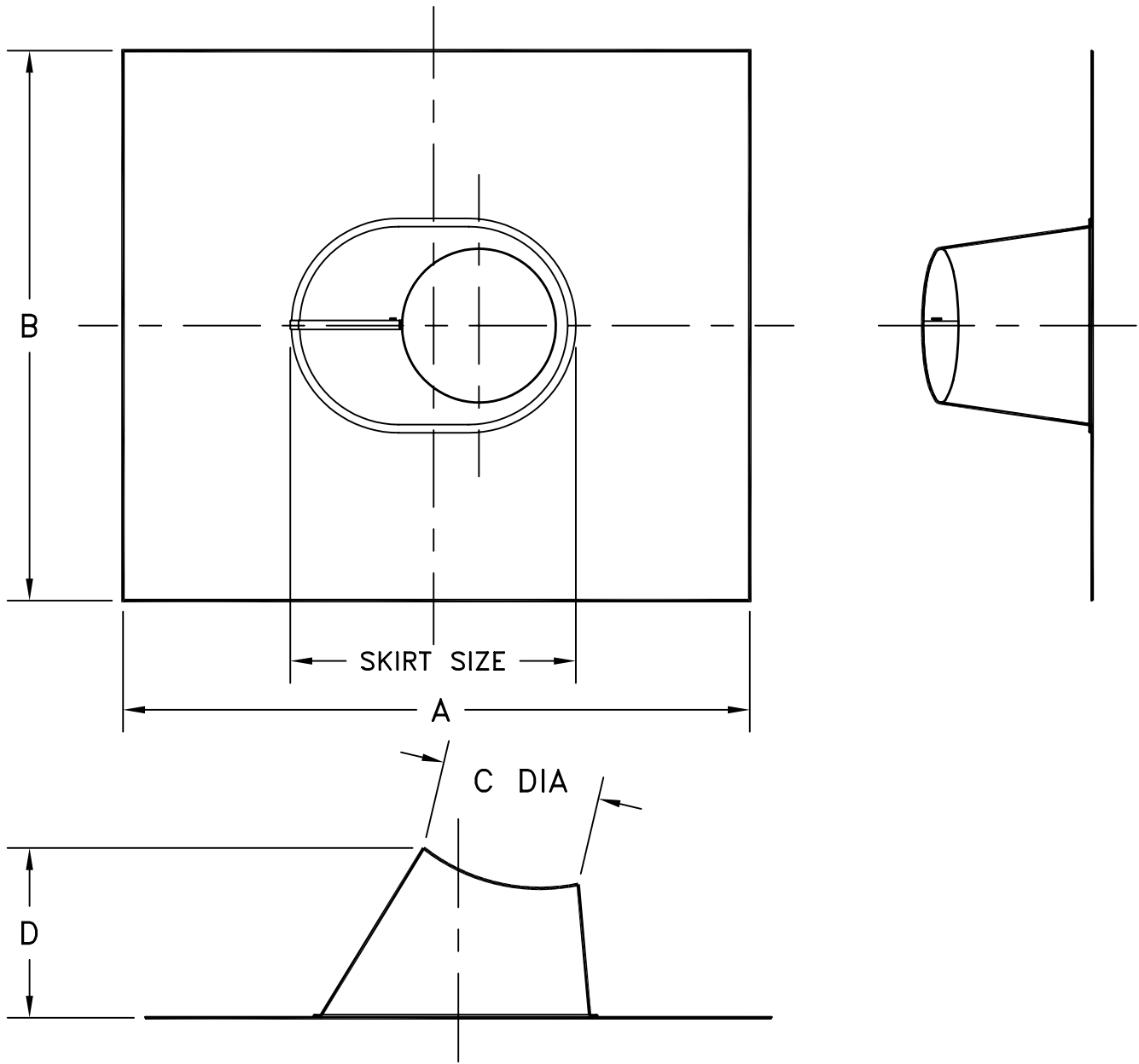


SUBMITTAL DRAWING	JOB NAME: _____	Gas Vent Connectors 6" Skirt Adjustable Flashing 3" - 14" Diameter
	LOCATION: _____	
DATE: 05/19/05	ARCHITECT: _____	DRAWING #: B1-31
SUBMITTED BY: _____	ENGINEER: _____	
	CONTRACTOR: _____	



PART NO.	A	B	C DIA	D
3EFFU	20 1/4	15 1/2	3 5/8	4
4EFFU	20 1/4	18	4 5/8	5
5EFFU	24	19	5 5/8	4 9/16
6EFFU	24	19	6 5/8	6
7RFFU	25 1/16	21 1/2	8 5/32	6 5/8
8RFFU	25 1/16	25 1/16	9 5/32	6 5/8
9RFFU	26	26	10 5/32	6 5/8
10RFFU	29	27	11 5/32	7 1/8
12RFFU	29	29	13 1/8	7 5/8
14RFFU	32	32	15 1/8	8 1/8

- MATERIAL:
PLATE & CONE - .018 THICK, G-90 GALVANIZED STEEL
- ADJUSTS FROM FLAT TO A 6/12 PITCH