

SUBMITTAL DRAWING

DATE: 05/03/05

SUBMITTED BY: _____

JOB NAME: _____

LOCATION: _____

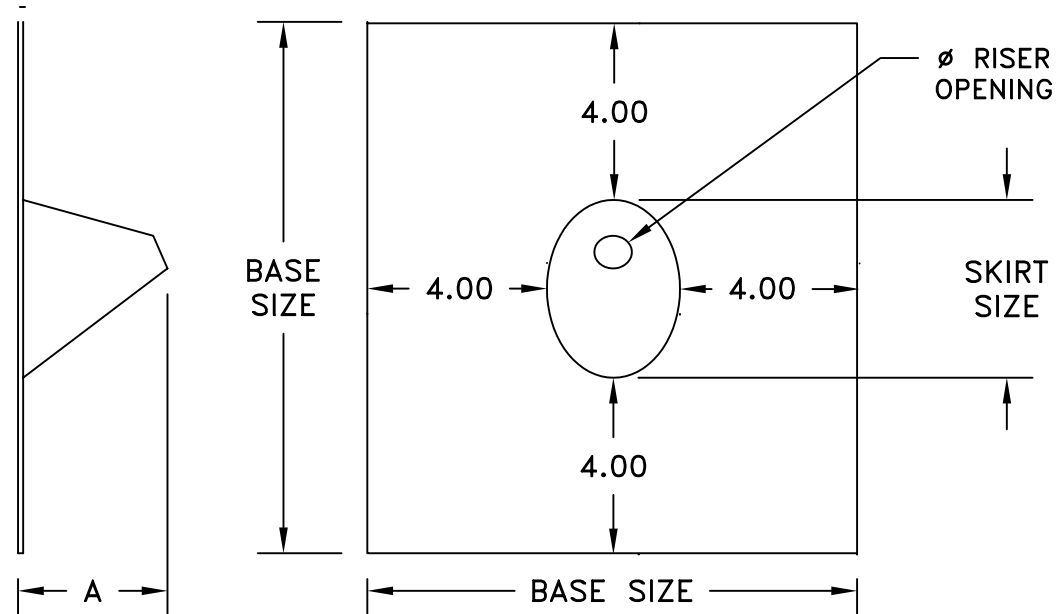
ARCHITECT: _____

ENGINEER: _____

CONTRACTOR: _____

Type B Gas Vent
ALUMINUM FLASHING
AND ELECTRICAL FLASHING-STD
1/2"-8 DIAMETER & 4"-6" OVAL

DRAWING #: B4-3



NOTES:
 1. STEEL PIPE FLASHINGS ALSO FIT SAME SIZE ABS AND PVC PLASTIC PIPE.
 DWV - DRAINAGE WASTE VENT.



PART NO.	FOR USE WITH			AMERIVENT	CONDUCTOR	TRANSITE	SKIRT SIZE	BASE	RISER OPENING	HEIGHT A
	STEEL PIPE	DWV	SOIL PIPE							
1/2FDSA	1/2"	1/2"	~	~	~	~	9"X9"	21"X24"	7/8"	4"
3/4FDSA	1/2"	1/2"	~	~	~	~	9"X9"	21"X24"	1-1/8"	4-1/4"
1FDSA	1"	1"	~	~	~	~	9"X9"	21"X24"	1-3/8"	3-3/4"
1 1/4FDSA	1-1/4"	1-1/4"	~	~	~	~	9"X9"	21"X24"	1-11/16"	3-1/2"
1 1/2FDSA	3/4"	3/4"	~	~	~	~	9"X9"	21"X24"	1-15/16"	3"
2FDSA	2"	2"	~	~	~	~	9"X9"	21"X24"	2-3/8"	2-1/2"
3EFDSA	~	~	~	3"	~	~	9"X9"	22"X24"	3-1/2"	4-1/4"
3CFDSA	~	~	~	~	3"	~	9"X9"	22"X24"	3"	4-1/4"
3SFDSA	~	~	3"	~	~	~	9"X9"	22"X24"	3-3/8"	4-1/2"
4EFDSA	~	~	~	4"	~	~	9"X9"	24"X27"	4-1/2"	5-1/4"
4CFDSA	~	~	~	~	4"	~	9"X9"	24"X27"	4"	3-1/4"
5EFDSA	~	~	~	5"	~	~	8-1/2"X8-1/2"	24"X28"	5-1/2"	4-3/4"
5CFDSA	~	~	~	~	5"	~	8-1/2"X8-1/2"	24"X28"	5"	4-1/4"
6EFDSA	~	~	~	6"	~	~	8-1/2"X8-1/2"	24"X29"	6-1/2"	5-1/2"
6CFDSA	~	~	~	~	6"	~	8-1/2"X8-1/2"	24"X29"	6"	4"
7CFDSA	~	~	~	~	7"	6"	8-1/2"X8-1/2"	24"X29"	7"	5"
7RFDSA	~	~	~	7"	8"	7"	8"X8-1/2"	24"X30"	8"	6"
8RFDSA	~	~	~	8"	9"	8"	6-1/5"X10-1/4" X5-1/2"	24"X30"	9"	6-1/2"
40FDSA	~	~	~	~	~	~	9"X9"	24"X28"	7-1/16"X3"	3-1/2"
50FDSA	~	~	~	~	~	~	9"X9"	24"X33-1/2"	11"X3"	4"
60FDSA	~	~	~	~	~	~	9"X9"	24"X33-1/2"	11-1/8"X3-1/4"	5"

• MATERIAL
 BASE: .020 DEAD SOFT ALUMINUM
 RISER: STANDARD 1/2 HARD ALUMINUM