

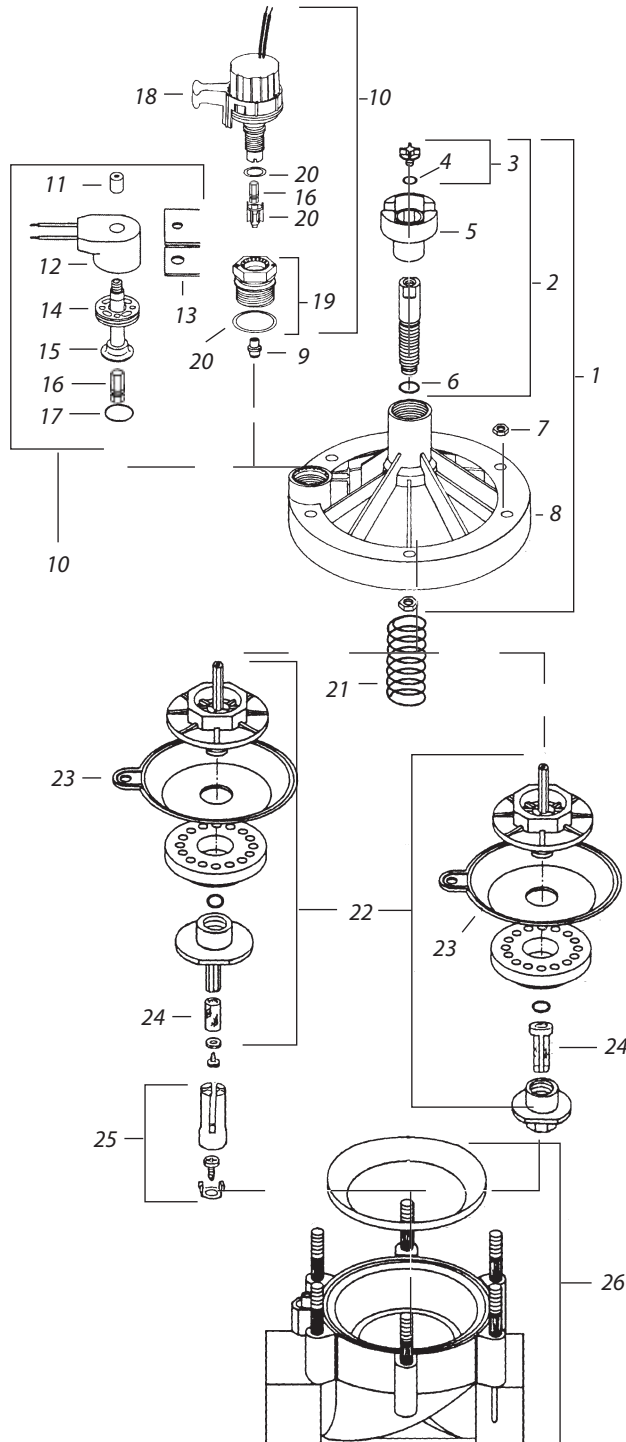
Note: Part numbers enclosed in brackets () are not available individually, but may be sold in assemblies or kits.



Ref. Part Description	100PE	100PES	100PEB	100PESB	100PESB-R
1 BONNET ASSEMBLY	209367-01	209367-01	209367-01	209367-01	209367-01
2 Flow control assembly	204151	204151	204151	204151	204151
3 Handle	(202876)	(202876)	(202876)	(202876)	-
3 NP Handle (sold separately)	231230	231230	231230	231230	231230
4 O-ring, stem	202879	202879	202879	202879	202879
5 Bleed screw assembly	202873	202873	202873	202873	202873
6 O-ring, bleed screw	202668	202668	202668	202668	202668
7 Bonnet and solenoid seal	209813-01	209813-01	209813-01	209813-01	209813-01
8 Solenoid seal	208629	208629	208629	208629	208629
9 Lock Nuts (4 each)	204969	204969	204969	204969	204969
10 Nut, stem	202881	202881	202881	202881	202881
11 SOLENOID ASSEMBLY	206920-01	206920-01	209532-02	209532-02	209532-02
12 Rubber retainer	627167	627167	-	-	-
13 Coil	602118	602118	-	-	-
14 U-Frame	210914	210914	-	-	-
15 Nut, base (plastic)	602606	602606	-	-	-
16 Tube, welded	630028	630028	-	-	-
17 Plunger/spring assembly	629453	629453	629417	629417	629417
18 O-ring	202882	202882	-	-	-
19 Handle, solenoid	-	-	209943	209943	209943
20 Adapter assembly	-	-	231986	231986	231986
21 O-ring kit, with retainer	-	-	210463	210463	210463
PRESSURE REGULATOR PRS-D					
- PRS-Dial	-	-	B33135	B33135	B33135
- Cartridge assembly	-	-	(B33136)	(B33136)	(B33136)
LOWER ASSEMBLY					
22 Diaphragm spring	202912	202912	202912	202912	202912
23 Diaphragm assembly	208143	208144-02	208143	208144-02	208144-03
24 Diaphragm	(208140)	(208140)	(208140)	(208140)	(232755)
25 Screen	(206092-02)	(203060-02)	(206092-02)	(203060-02)	(203060-02)
26 Scraper kit	-	206994	-	206994	(A)
27 Body assembly, NPT	207325-01	207325-01	207325-01	207325-01	207325-01
- Body assembly, BSP	207325-02	207325-02	207325-02	207325-02	207325-02
<i>(When replacing PE/PES body, you must order PEB/PESB diaphragm)</i>					

(A) Reclaimed Water Conversion Kit, use part number B37510. Kit includes:
 Reclaimed Diaphragm Assembly
 Reclaimed Filter Scraper
 Reclaimed Snap Washer
 Self Tapping Screw
 NP Handle
 Reclaimed Scrubber Label

Note: Part numbers enclosed in brackets () are not available individually, but may be sold in assemblies or kits.

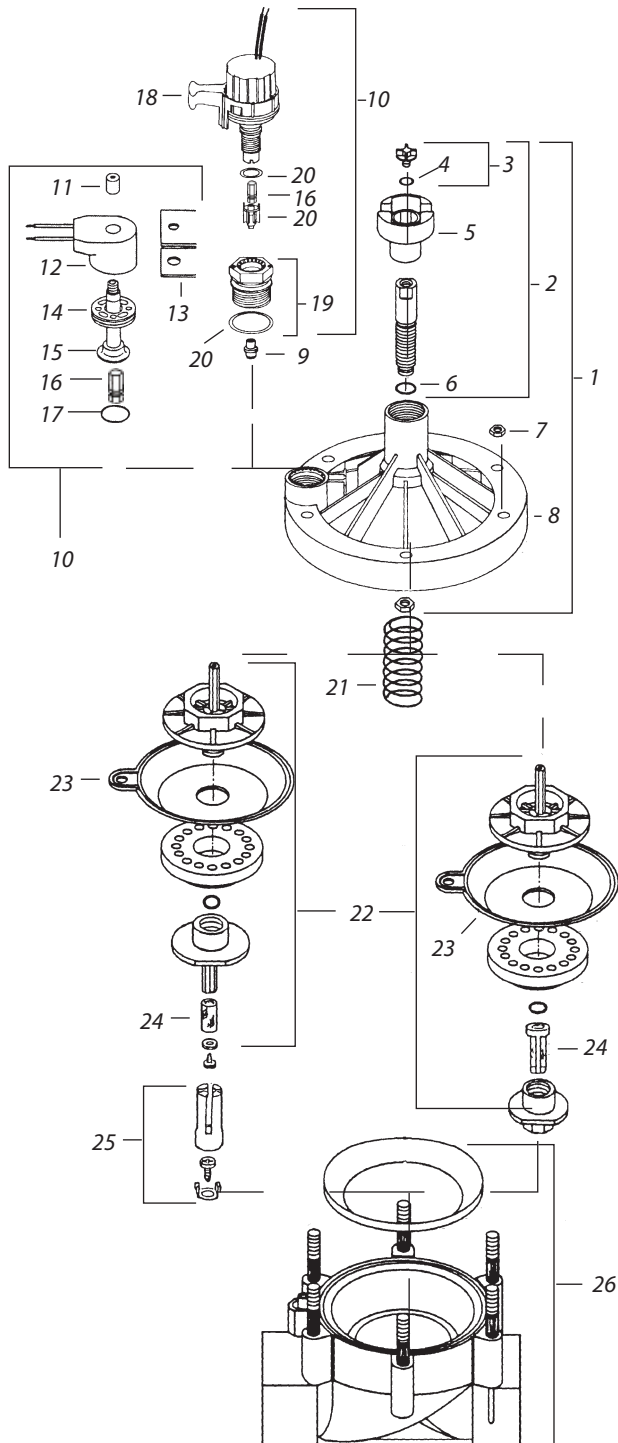


Note: Part numbers enclosed in brackets () are not available individually, but may be sold in assemblies or kits.

Ref.	Part Description	150PE	150PES	150PEB	150PESB	150PESB-R
1	BONNET ASSEMBLY	209367-02	209367-02	209367-02	209367-02	209367-02
2	Flow control assembly	204153	204153	204153	204153	204153
3	Bleed screw assembly	204152	204152	204152	204152	204152
4	O-ring, bleed screw	202668	202668	202668	202668	202668
5	Handle, flow control (B)	(202889)	(202889)	(202889)	(202889)	-
-	NP Handle (sold separately)	231232	231232	231232	231232	231232
6	O-ring, stem (B)	(202896)	(202896)	(202896)	(202896)	(202896)
7	Lock Nuts (6 each)	204968	204968	204968	204968	204968
8	Bonnet and solenoid seal	209813-02	209813-02	209813-02	209813-02	209813-02
9	Solenoid seal	208629	208629	208629	208629	208629
10	SOLENOID ASSEMBLY	206920-01	206920-01	209532-02	209532-02	209532-02
11	Rubber retainer	627167	627167	-	-	-
12	Coil	602118	602118	-	-	-
13	U-Frame	210914	210914	-	-	-
14	Nut, base (plastic)	602606	602606	-	-	-
15	Tube, welded	630028	630028	-	-	-
16	Plunger/spring assembly	629453	629453	629417	629417	629417
17	O-ring	202882	202882	-	-	-
18	Handle, solenoid	-	-	209943	209943	209943
19	Adapter assembly	-	-	231986	231986	231986
20	O-ring kit, with retainer	-	-	210463	210463	210463
PRESSURE REGULATOR PRS-D						
-	PRS-Dial	-	-	B33135	B33135	B33135
-	Cartridge assembly	-	-	(B33136)	(B33136)	(B33136)
LOWER ASSEMBLY						
21	Diaphragm spring	203016	203016	200211	200211	200211
22	Diaphragm assembly	234882	234866-02	234882	234866-02	234866-04
23	Diaphragm	202898	202898	202898	202898	232756
24	Screen	206092-02	203060-01	206092-02	203060-01	203060-01
25	Scraper kit	-	206994	-	206994	(A)
26	Body assembly, NPT	(208603)	(208603)	(208603)	(208603)	(233217)
-	Body assembly, BSP	(208604)	(208604)	(208604)	(208604)	(233216)
(When replacing PE/PES body, you must order PEB/PESB diaphragm)						

- (A) Reclaimed Water Conversion Kit, use part number B37520. Kit includes:
 Reclaimed Diaphragm Assembly
 Reclaimed Filter Scraper
 Reclaimed Snap Washer
 Self Tapping Screw
 NP Handle
 Reclaimed Scrubber Label
- (B) Order #2 Flow Control Assembly

Note: Part numbers enclosed in brackets () are not available individually, but may be sold in assemblies or kits.



Note: Part numbers enclosed in brackets () are not available individually, but may be sold in assemblies or kits.



Ref.	Part Description	200PE	200PES	200PEB	200PESB	200PESB-R
1	BONNET ASSEMBLY	209367-02	209367-02	209367-02	209367-02	209367-02
2	Flow control assembly	204153	204153	204153	204153	204153
3	Bleed screw assembly	204152	204152	204152	204152	204152
4	O-ring, bleed screw	202668	202668	202668	202668	202668
5	Handle, flow control (B)	(202889)	(202889)	(202889)	(202889)	-
-	NP Handle (sold separately)	231232	231232	231232	231232	231232
6	O-ring, stem (B)	(202896)	(202896)	(202896)	(202896)	(202896)
7	Lock Nuts (6 each)	204968	204968	204968	204968	204968
8	Bonnet and solenoid seal	209813-02	209813-02	209813-02	209813-02	209813-02
9	Solenoid seal	208629	208629	208629	208629	208629
10	SOLENOID ASSEMBLY	206920-01	206920-01	209532-02	209532-02	209532-02
11	Rubber retainer	627167	627167	-	-	-
12	Coil	602118	602118	-	-	-
13	U-Frame	210914	210914	-	-	-
14	Nut, base (plastic)	602606	602606	-	-	-
15	Tube, welded	630028	630028	-	-	-
16	Plunger/spring assembly	629453	629453	629417	629417	629417
17	O-ring	202882	202882	-	-	-
18	Handle, solenoid	-	-	209943	209943	209943
19	Adapter assembly	-	-	231986	231986	231986
20	O-ring kit, with retainer	-	-	210463	210463	210463
PRESSURE REGULATOR PRS-D						
-	PRS-Dial	-	-	B33135	B33135	B33135
-	Cartridge assembly	-	-	(B33136)	(B33136)	(B33136)
LOWER ASSEMBLY						
21	Diaphragm spring	203016	203016	200211	200211	200211
22	Diaphragm assembly	208605	208518-02	208605	208518-02	208518-03
23	Diaphragm	202898	202898	202898	202898	232756
24	Screen	206092-02	203060-01	206092-02	203060-01	203060-01
25	Scraper kit	-	206994	-	206994	(A)
26	Body assembly, NPT	(208609)	(208609)	(208609)	(208609)	(233215)
-	Body assembly, BSP	(208610)	(208610)	(208610)	(208610)	(233214)
-	(When replacing PE/PES body, you must order PEB/PESB diaphragm)					

- (A) Reclaimed Water Conversion Kit, use part number B37520. Kit includes:
 Reclaimed Diaphragm Assembly
 Reclaimed Filter Scraper
 Reclaimed Snap Washer
 Self Tapping Screw
 NP Handle
 Reclaimed Scrubber Label
- (B) Order #2 Flow Control Assembly

Note: Part numbers enclosed in brackets () are not available individually, but may be sold in assemblies or kits.