

MOEN®

ORDER BY PART NUMBER

VALVE TRIM ONLY

UTS22581
UTS22581BN
UTS22581BL
UTS22581NLBN

SHOWER TRIM ONLY

UTS22582EP
UTS22582EPBN
UTS22582EPBL
UTS22582EPNLBN

TUB SHOWER TRIM

UTS22583EP
UTS22583EPBN
UTS22583EPBL
UTS22583EPNLBN

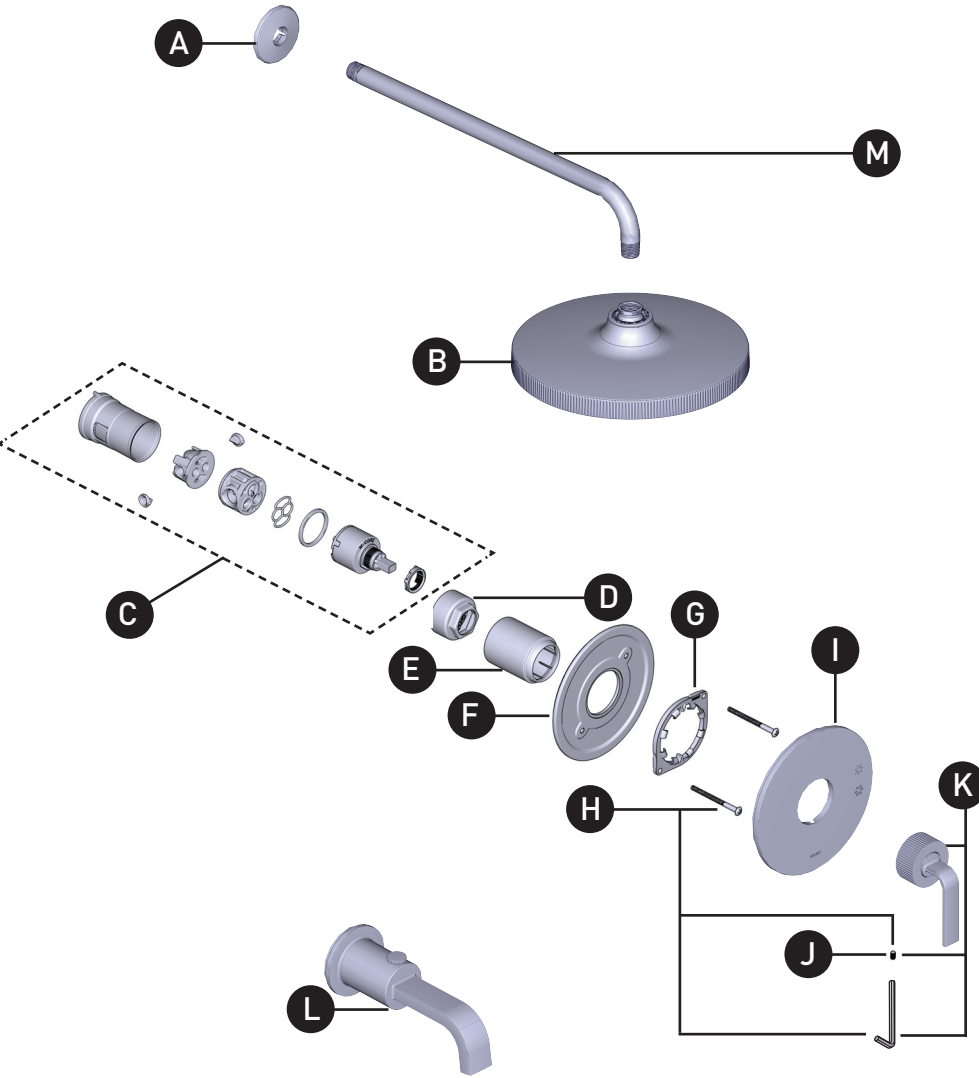
FINISH

Chrome
Brushed Nickel
Matte Black
Polished Nickel/
Brushed Nickel

ILLUSTRATED PARTS

CAMBIUM™

Single-Handle M-CORE™ 2-Series Trim



ID	Kit Number	Finish
A	137488	Chrome
	137488BN	Brushed Nickel
	137488BL	Matte Black
	137488NL	Polished Nickel / Brushed Nickel
B	S6348EP	Chrome
	S6348EPBN	Brushed Nickel
	S6348EPBL	Matte Black
	S6348EPNLBN	Polished Nickel / Brushed Nickel
C	1212	N/A
D	200762	N/A
E	200775	Chrome
	200775BN	Brushed Nickel
	200775BL	Matte Black
	200775NL	Polished Nickel
F	200766	N/A
G	200772	N/A
H	200764	N/A
I	206291	Chrome
	206291BN	Brushed Nickel
	206291BL	Matte Black
	206291NL	Polished Nickel
J	40057	N/A
K	207538	Chrome
	207538BN	Brushed Nickel
	207538BL	Matte Black
	207538NLBN	Polished Nickel / Brushed Nickel
L	220900	Chrome
	220900BN	Brushed Nickel
	220900BL	Matte Black
	220900NLBN	Polished Nickel / Brushed Nickel
M	151380	Chrome
	151380BN	Brushed Nickel
	151380BL	Matte Black
	176586NL	Polished Nickel / Brushed Nickel

OPTIONAL: 1" Handle Extension Kit

MODEL	FINISH
200779	Chrome
200779BN	Brushed Nickel
200779BL	Matte Black
200779NL	Polished Nickel



UTS22581 EPNLBN
Revised 06