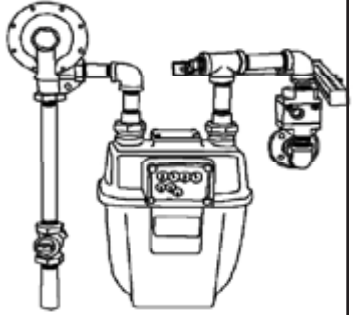


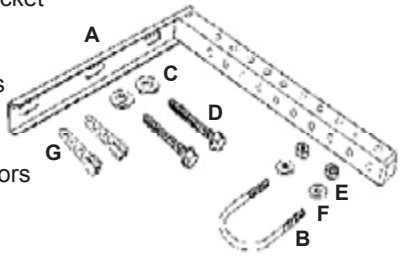
Installation Instructions for Little Firefighter GV-12 Gas Valve Stabilizer Bracket

It is Essential to Stabilize the Little Firefighter Gas Shut-Off Valve Against Excessive Vibration. If the Gas Pipes Connected to the Gas Shut-Off Valve are not Properly Stabilized from the Meter, Nuisance Tripping Will Occur. Install the GV-12 Between the Meter and Gas Shut-Off Valve as Shown, and as Close to the Gas Shut-Off Valve as Possible, to Properly Isolate the Valve from the Meter. Installer must be Gas Company Certified to Install the Valve Before the Meter.



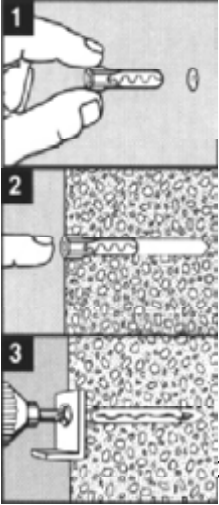
Parts List For GV-12 Bracket

- A. One GV-12 Stabilizer Bracket
- B. One "U" Bolt
- C. Two 3/8" Washers
- D. Two 3/8" X 3" Lag Screws
- E. Two 1/4" Hex Nuts
- F. Two 1/4" Washers
- G. Two A10 Alligator™ Anchors



Mark position for lag screws so that square channel is located next to the pipe closest to Shut-Off Valve. Screw "C" channel into wall stud with Lag Screws. If no stud is available, use the A10 Alligator™ Anchors by following their instructions below.

Instructions for TOGGLER Brand Alligator™ Solid State Chemical Anchor



1. Drill Holes 3/8" Dia Thru into Void or 3-1/2" Deep in Solid Material.

2. Insert Anchors.

3. Align Bracket And Drive Screw Flush.

Patented under one or more U.S. Patent numbers 4,294,156; 5,028,186; 5,161,296; and foreign counterparts thereof.

Other patents pending.

TOGGLER and Alligator are World-wide registered trademarks of Mechanical Plastics Corp. ©1999 MPC

Bolt the "U" bolt around the gas pipe nearest the Little Firefighter Gas Valve and through the square channel with the nuts and washers.

Whenever possible GV-12 should be attached to structure following the above method. If Shut-Off Valve is located in an isolated area or can not be attached to the structure, stabilize in the following manner:

ISOLATED INSTALLATIONS

Place a minimum 3" diameter steel pipe into a concrete footing measuring no less than 12" x 12" x 12". Then secure the GV-12 Stabilizer Bracket to the 3" pipe and the shut-off valve. Shut- Off Valves must be readily accessible at all times and not installed in tight enclosures.